

KETTLER

USER GUIDE ROWER H2O RO1029-100



» Introduction

Congratulations on your purchase of the ROWER.

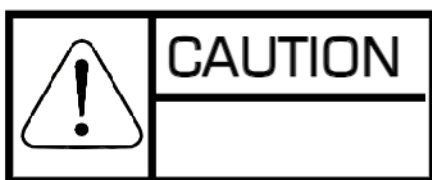
Kettler is proud to present the ROWER as a home use product.

Follow all instructions carefully for correct assembly, Tank filling, water treatment, service and safety.

Check contents of Box 1 and Box 2 to ensure all parts are present and correct prior to assembly.

Training with the WAVE ROWER

1. As with any piece of fitness equipment, consult a physician before beginning your ROWER exercise program.
2. Follow instructions provided in this manual for correct foot position and basic rowing techniques.



1. Keep hands and fingers away from moving parts, as indicated in this manual.
2. The ROWER can stand vertically for storage. Make sure a secure location is chosen, such as the corner of a room or against a wall on an even, secure surface.

» Contents

Safety	5
Assembly	7
ROWER Box 1 & 2 Contents	8
Assembly Instructions.....	9
Operation Instructions.....	13
Monitor Operation.....	16
Detaching the ROWER Belt.....	17
Reattaching the ROWER Belt	18
Removing the Bungee Shock Cord	19
Maintenance	20
Troubleshooting.....	21
Exploded Diagram.....	22

Safety Information

- Before using this product, it is essential to read this ENTIRE operation manual and ALL instructions. The ROWER is intended for use solely in the manner described in this manual.
- UNDERSTANDING EACH AND EVERY WARNING TO THE FULLEST IS IMPORTANT
- As with any piece of fitness equipment, consult a physician before beginning your ROWER exercise program.
- Please be aware that any fitness regime, before being undertaken, is best preceded by a physical checkup from a certified physician.
- Injuries to health may result from incorrect or excessive training.



- **WARNING** Heart rate monitoring systems may be inaccurate. Over exercise may result in serious injury or death. If you feel faint, stop exercising immediately.
- Stop the machine immediately if any signs of excessive wearing is present on the Belts, Pulleys and bungee cords. Do not use unit until said parts are repaired or replaced.
- Do not allow children unattended access to the machine.
- The ROWER can stand vertically for storage. When doing so, please follow the instructions given in the manual.
- Please keep hands away from moving parts, as indicated by the warning label on the Main Frame of your machine.
- If any of the adjustment devices are left projecting, they could interfere with the user's movement.
- Do not store in freezing conditions with water in the Tank as it can expand and crack the components.

Installation

- Place on a stable, flat surface in a horizontal position during use for maximum stability.
- Check all Belts, Pulleys and Bungee Cords regularly for signs of wear, and replace if needed.
- Check regularly and follow all instructions for maintenance as specified in this manual.
- Replace immediately any defective parts and do not operate unit until all repairs are complete.

» Safety





Proper Usage

- Do not use any equipment in any way other than designed or intended by the manufacturer. It is imperative that Kettler equipment is used properly to avoid injury.
- Injuries may result if exercising improperly or excessively. It is recommended that all individuals consult a physician prior to commencing an exercise program. If at any time during exercise you feel faint, dizzy or experience pain, STOP EXERCISING and consult your physician.
- Keep body parts (hands, feet, hair, etc.), clothing and jewelry away from moving parts to avoid injury.
- Follow instructions provided in this manual for correct foot position and basic rowing techniques.

Inspection

- DO NOT use or permit use of any equipment that is damaged and/or has worn or broken parts. For all Kettler equipment use only replacement parts supplied by Kettler.
- Cables and Belts pose an extreme liability if used when frayed. Always replace any cable or Belt at first sign of wear
- EQUIPMENT MAINTENANCE - Preventative maintenance is the key to smooth operating equipment as well as to keep your liability to a minimum. Equipment needs to be inspected at regular intervals.
- Ensure that any person(s) making adjustments or performing maintenance or repair of any kind is qualified to do so.
- DO NOT ATTEMPT TO USE OR REPAIR ANY ACCESSORY APPROVED FOR USE WITH THE FLUIDROWER EUROPEEQUIPMENT WHICH APPEARS TO BE DAMAGED OR WORN.
- Check all Belts, Pulleys and bungee cords regularly for signs of wear, and replace if needed.
- Check regularly and follow all instructions for maintenance as specified in this manual.
- Replace immediately any defective parts and do not operate unit until all repairs are complete.

Operating Warnings

- Keep children away from the equipment. Parents or others supervising children must provide close supervision of children if the equipment is used in the presence of children.
- Do not allow users to wear loose fitting clothing or jewelry while using equipment. It is also recommended to have users secure long hair back and up to avoid contact with moving parts.
- All bystanders must stay clear of all users, moving parts and attached accessories and components while machine is in operation.
-  **WARNING** Do not insert fingers into Tank!
-  **CAUTION** After rowing exercise, please allow the unit to sit for 5 minutes before standing it up for storage.
-  **CAUTION** Do not fill past the calibration mark as indicated on the Tank level sticker or water spillage can occur.
-  **WARNING** Never operate this ROWER without feet properly secured in Footstraps.

» Assembly

Product Specifications

Product Class: HC

Braking System: Speed Independent

Product Net Weight: 27.6kg (60.85lbs)

Product Gross Weight: 34kg (74.96lbs)

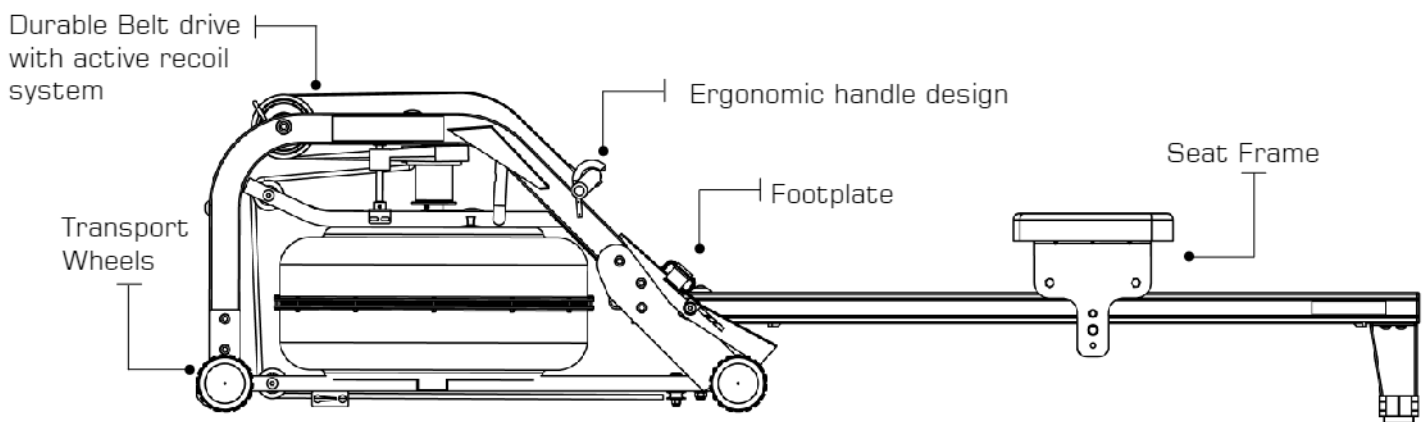
Minimum Safe Operating Surface Area: 319cm (125.59") x 172cm (67.71")

Dimensions: 1990mm (78.35") Length x 520mm (20.47") Width x 520mm (20.47") Height

Maximum User Weight: 150kg (330lbs)

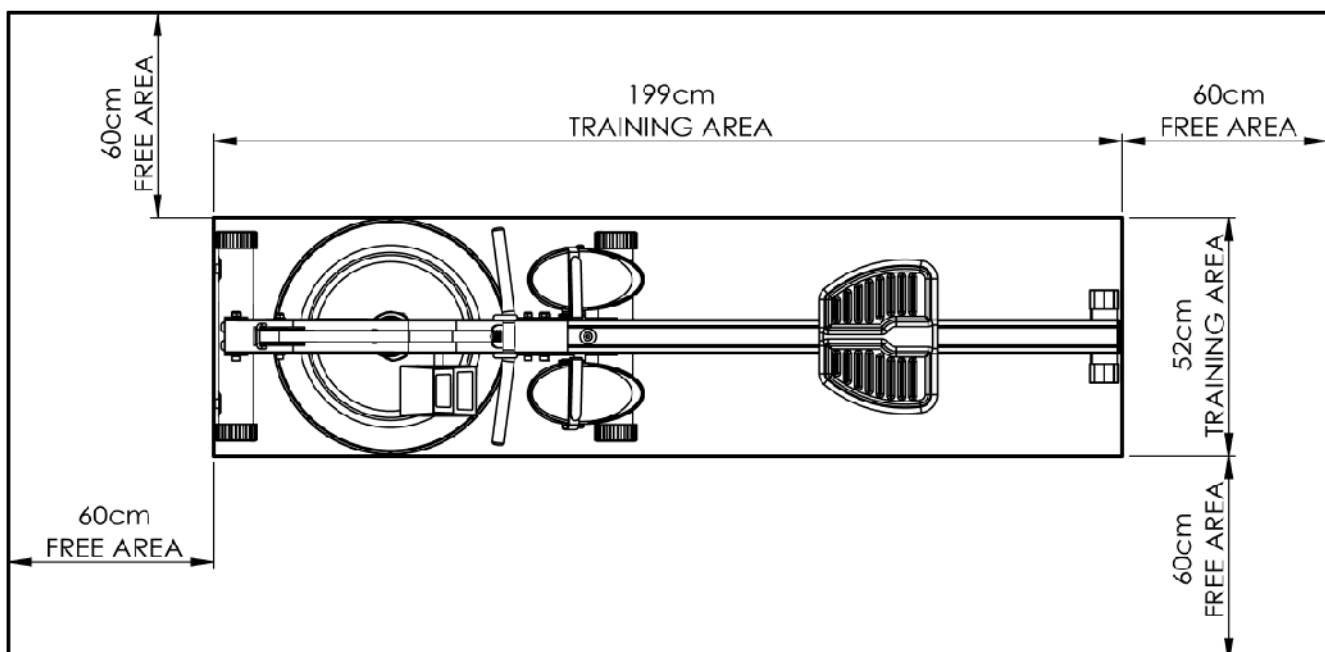
Compact Footprint: 1990mm x 520mm or upright 520mm x 520mm

Product Highlights



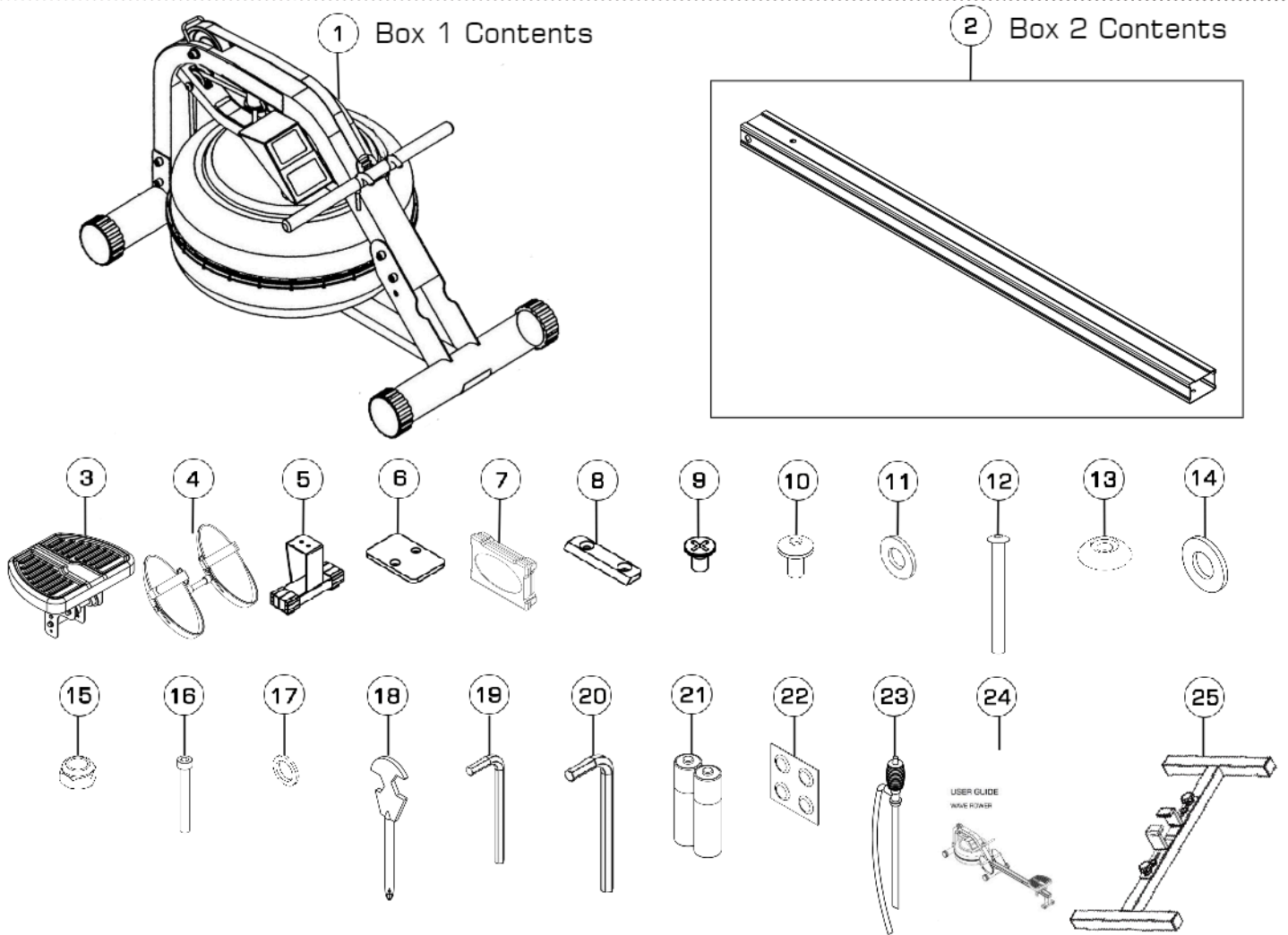
The live area shall be not less than 23.62" (60cm) greater than the training area in the directions from which the equipment is accessed. The live area must also include the area for emergency dismount.

Live area and Training area



Note: WAVE ROWER is not suitable for therapeutic purposes.

» WAVE ROWER Rower Box 1 & 2 Contents



Item	Qty.	Description	Item	Qty.	Description
1	1	Main Frame	14	1	M10 Washer
2	1	Seat Rail (boxed separately)	15	2	M10 Nyloc Nut
3	1	WAVE ROWER Seat	16	1	M10x95mm Bolt
4	1	Footplate Assembly	17	2	M10 Springs Washer
5	1	Rear Leg	18	1	Multi-Tool
6	1	Internal Mounting Plate	19	1	6mm Allen Key
7	1	75x50 Rubber End Cap	20	1	8mm Allen Key
8	1	Rubber BumpStop - Seat Rail	21	2	AA Battery
9	2	M6x10mm Bolt	22	4	Water Treatment Tablet
10	2	M8x15mm Bolt	23	1	Siphon
11	2	M8 Washer	24	1	User Guide
12	1	M10x180mm Bolt	Optional Equipment (Not Included)		
13	1	M10 Plastic Dome Washer	25	1	Optional Stand (not included)

» Assembly Instructions

STEP 1

Installing the Seat and Rear Leg to Seat Rail

REQUIRED

Seat Rail [2]

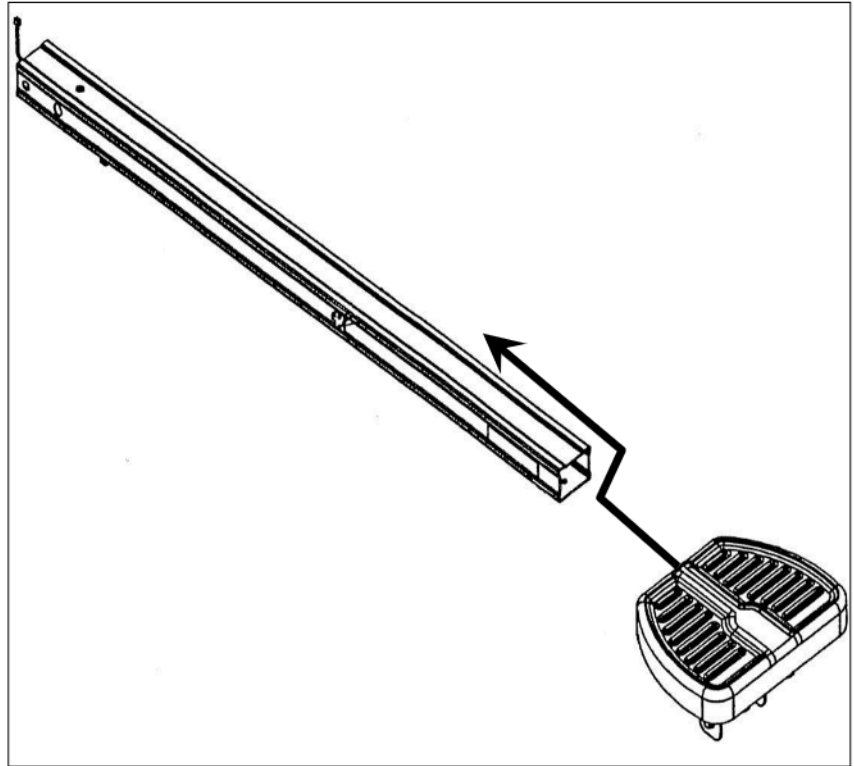
WAVE ROWER Seat [3]



WARNING

Installing the Seat incorrectly will result in lack of data pickup during rowing.

Install WAVE ROWER Seat[3] onto Seat Rail[2], with widest part of seat rearward.



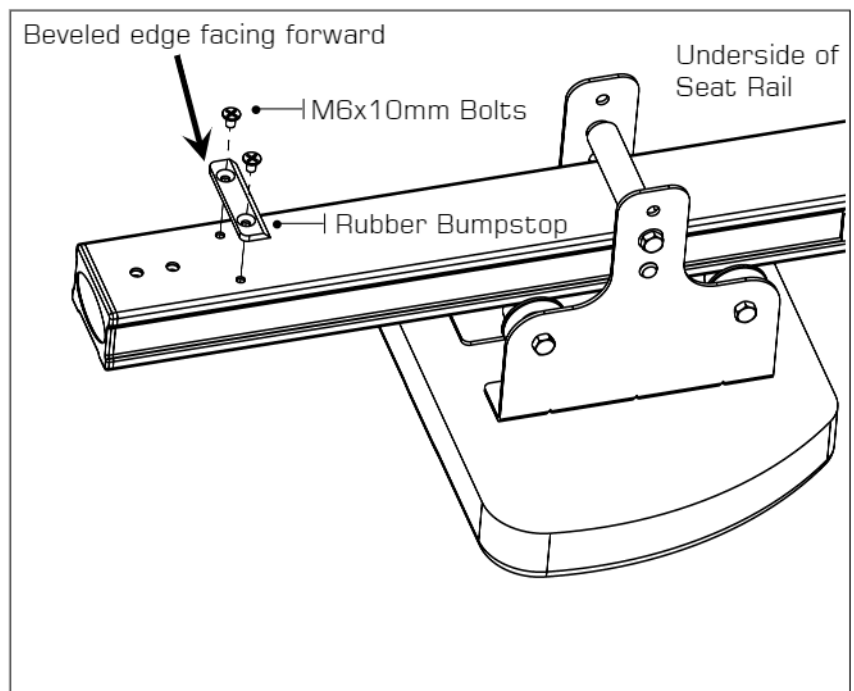
STEP 2

REQUIRED

Rubber Bumpstop [8]

2 x M6x10mm Bolts [9]

Turn Seat Rail over, and install the Rear Rubber Bumpstop[8] using 2x M6x10mm Bolts[9] with beveled edge facing forward.



» Assembly Instructions

STEP 3 Installing the Rear Leg

REQUIRED

Rear Leg [5]

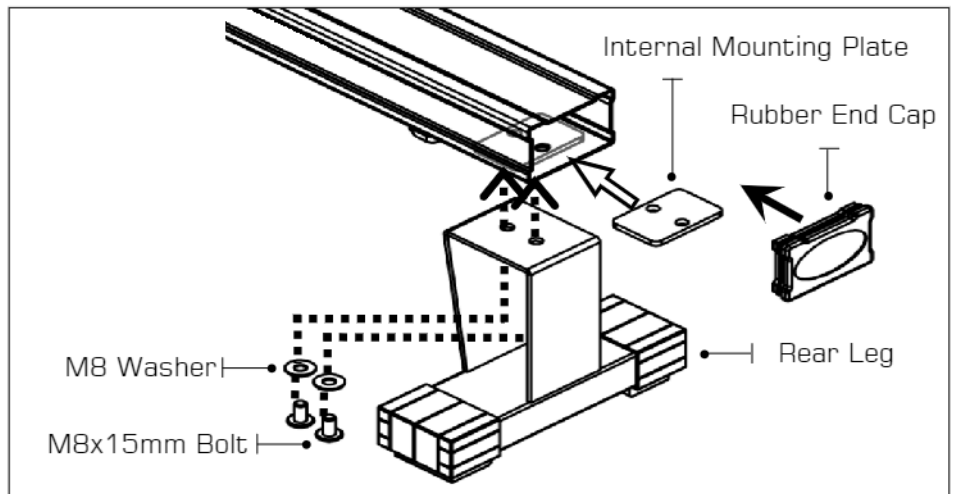
Internal Mounting Plate [6]

Rubber End Cap [7]

2 x M8x15mm Bolts [10]

2 x M8 Washers [11]

Using the 2x M8x15mm Bolts[10], 2x M8 Washers[11], Internal Mounting Plate[6] and Rear Leg[5], install as shown. Once Rear Leg is tightened, install the Rear Rubber End Cap[7].



STEP 4 Installing the Seat Rail to Main Frame

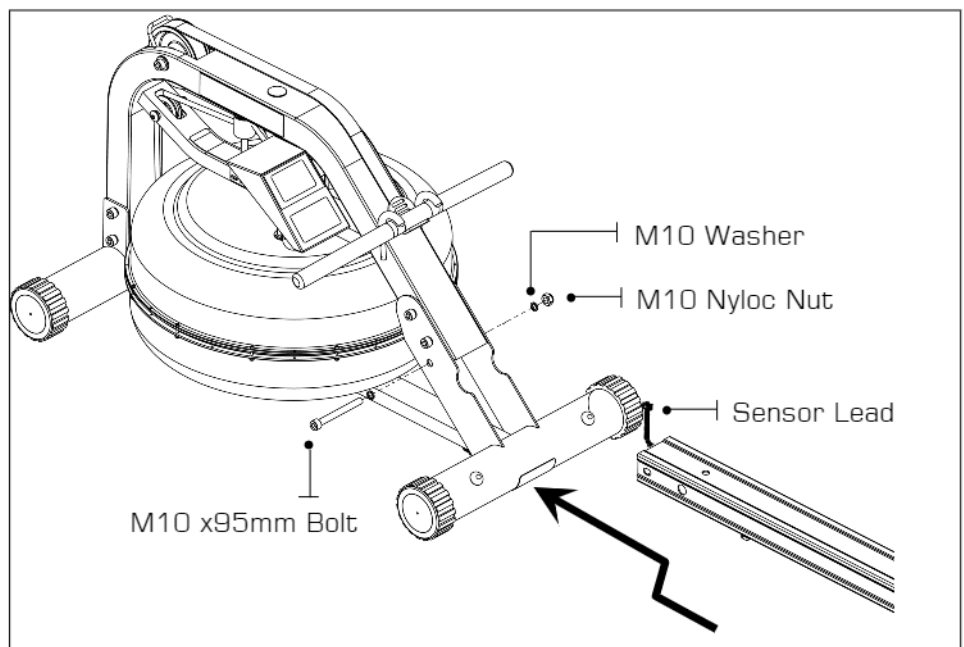
REQUIRED

M10 Nyloc Nut [15]

M10x95mm Bolt [16]

2 x M10 Washer [17]

Install the Seat Rail onto the Main Frame. Attach Sensor Lead from Seat Rail to the Main Frame, then align the front Seat Rail holes with Main Frame and install, using M10x95mm Bolt[16], 2x M10 Washer[17] and M10 Nyloc Nut[15].



» Assembly Instructions

STEP 5 Installing the Seat Rail to Main Frame

REQUIRED

M10 x180mm Bolt [12]

Plastic Dome Cap [13]

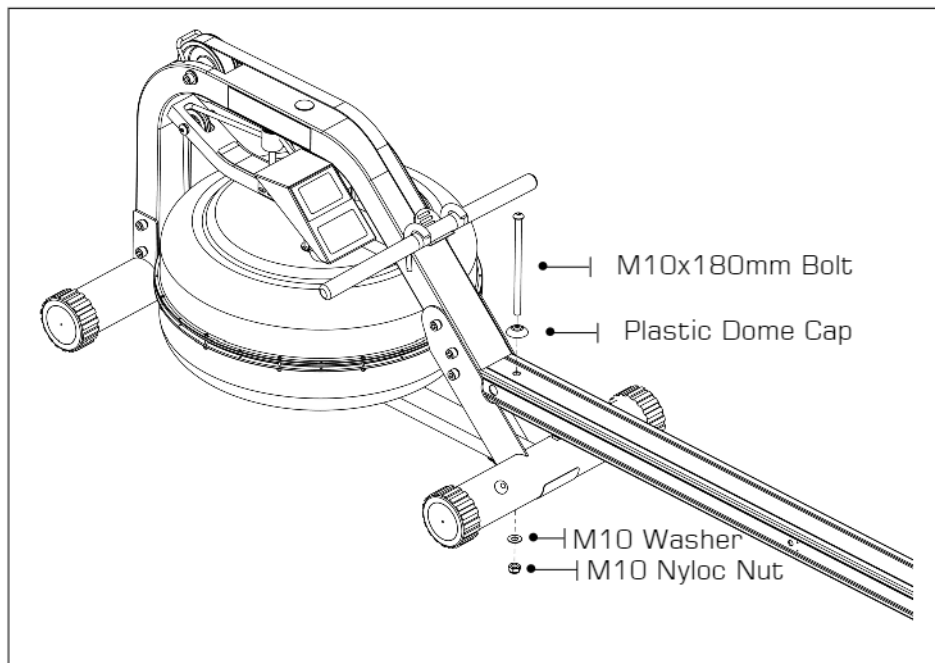
M10 Washer [14]

M10 Nyloc Nut [15]

! WARNING

Do not tighten the Vertical Frame Tensioning Bolt. See the "Fine Tuning Your WAVE ROWER " page for details once assembly is complete

Install the **M10x180mm Bolt**[12] with the **Plastic Dome Cap**[13] through the top of the Seat Rail and secure from underneath with **M10 Washer**[14] and **Nyloc Nut**[15].



STEP 6 Installing the Footplate

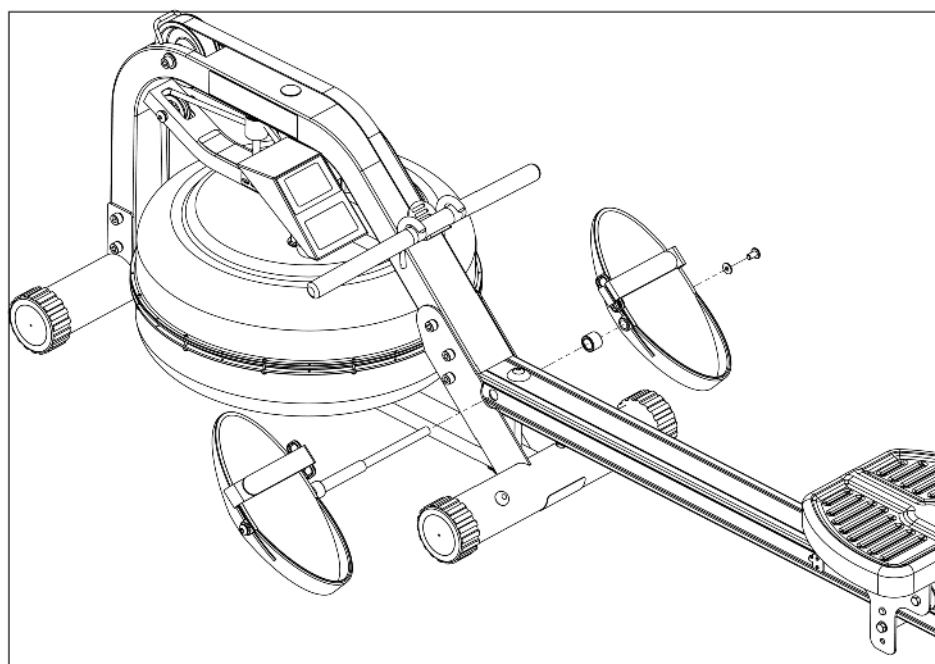
REQUIRED

Footplate [4]

! CAUTION

Tip: When mounting the Footplate assembly onto WAVE ROWER , it is only necessary to remove one side, and leave the other intact as shown here.
Note: 2 Allen keys of the same size are provided for this portion of the assembly.

Install the **Footplate**[4] onto the ROWER . Footplate assembly left side. For ease of assembly, leave the left side of the Footplate and Seat Rail Spacer in place as shown.



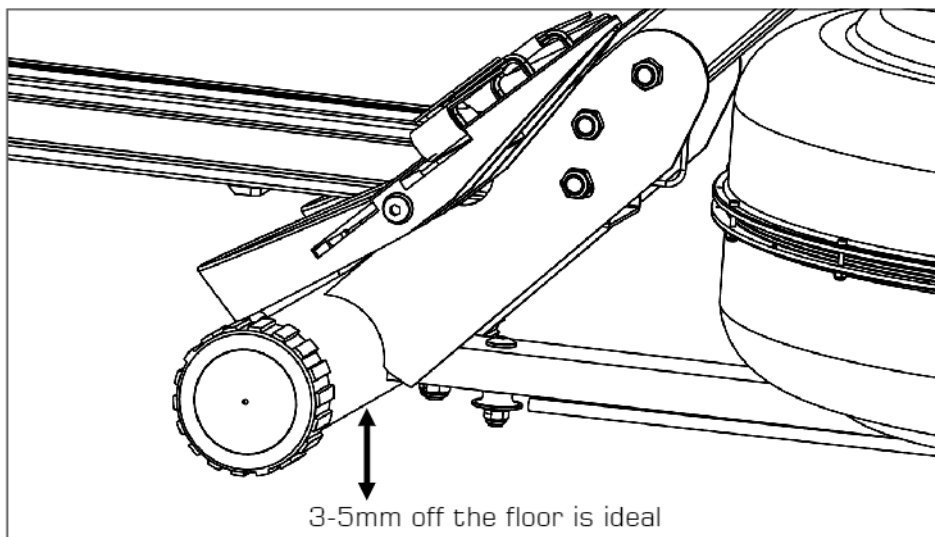
» Assembly Instructions

STEP 7 Fine Tuning the WAVE ROWER

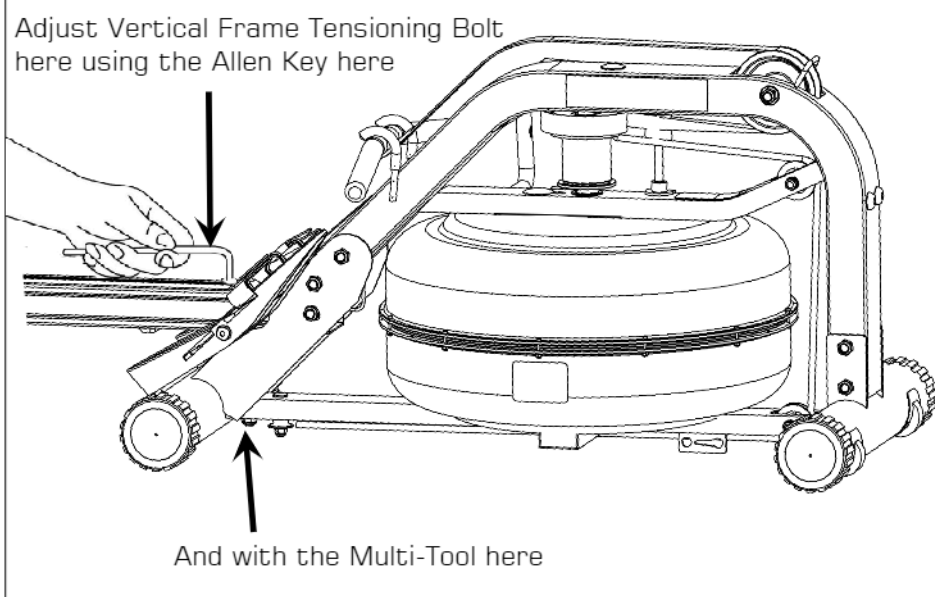
The Vertical Seat Rail Tensioning Bolt is designed to hold the mid leg 3-5mm off the ground when the ROWER is unweighted, and just slightly touch the ground during a rowing stroke.

Tighten the assembly until the Mid Leg begins to lift off of the ground as shown below.

Note: If excessive head shaking/hopping of the Tank occurs during rowing, this indicates the Vertical Seat Rail Tensioning Bolt being out of adjustment.



Close up view of the Vertical Seat Rail Tensioning Bolt M10 Nyloc location.



Adjust Vertical Frame Tensioning Bolt here using the Allen Key here

And with the Multi-Tool here

Tension the Vertical Seat Rail Tensioning Bolt as shown here.

» Operation Instructions

» Tank Filling and Water Treatment Procedures

REQUIRED

Siphon [23]

! WARNING

Do not overfill the Tank beyond the maximum indicated level of 17 liters. Refer to the Tank level decal on the lower side of the Tank.

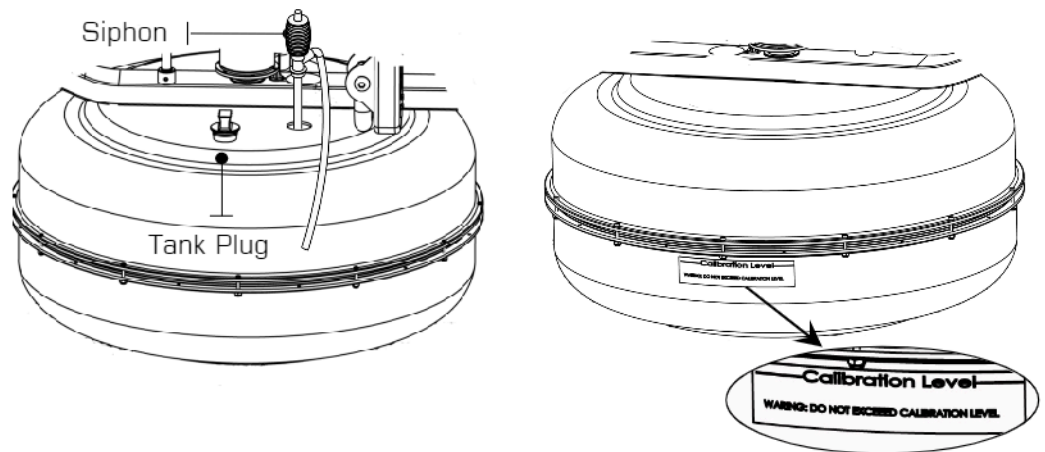
! CAUTION

In areas where tap water quality is known to be poor, recommends the use of distilled water.

- a) Remove rubber fill plug from the top of the Tank.
- b) Place a large bucket of water next to the ROWER . Position the **Siphon[23]** with rigid hose in the bucket, and flexible hose in the Tank.

Note: Make sure small breather valve on siphon is closed before filling.

- c) Squeeze siphon to begin filling. **Important:** Do not overfill Tank
- d) When full, open the valve on the top of the siphon to allow excess water to escape.
- e) Once filling is completed follow the water treatment schedule below, then replace the Tank plug.

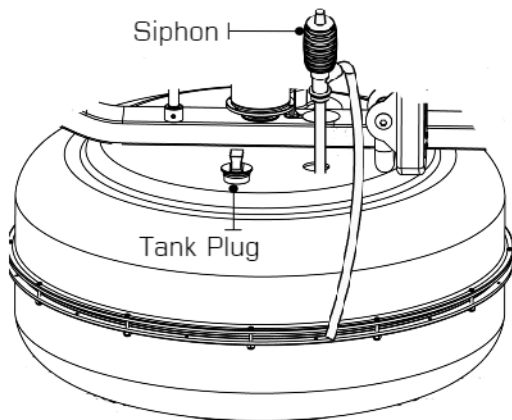


INITIAL WATER TREATMENT

Add 1 x Water Treatment Tablet per full Tank. DO NOT, UNDER ANY CIRCUMSTANCE, USE A WATER TREATMENT TABLET OTHER THAN THOSE SUPPLIED WITH YOUR UNIT. Your unit purchase includes 4 x Water Treatment Tablets, which is sufficient for several years of use. To purchase additional Water Treatment Tablets, please consult your nearest regional dealer/distributor.

»» Operation Instructions

»» Removing / Changing Tank Water



- a) Remove Tank Plug.
- b) Insert rigid end of siphon into the Tank, and flexible hose into a large bucket.

Note:

- ⊙ The valve on top of the proper drainage.
- ⊙ Water treatment will preclude the need to change Tank water if the treatment schedule is maintained. Additional Water Treatment Tablet is required only when discoloration appears in the water.
- ⊙ Exposure to full sunlight reduces the life of the Water Treatment Tablets. Storing the WAVE ROWER away from direct sunlight will extend the time between water treatments.

»» Long Term Water Treatment and Basic Operation

Do not use any water treatment other than the tablets supplied with this unit.

For replacement tablets, contact your local ProductFit distributor.

Water treatment schedules for the ROWER will vary according to the fluid Tanks exposure to sunlight, but expect 8-12 months near a bright, sunlit window and 2 years or more for a darker location. At the point of finding the water slightly cloudy, add a Water Treatment Tablet.

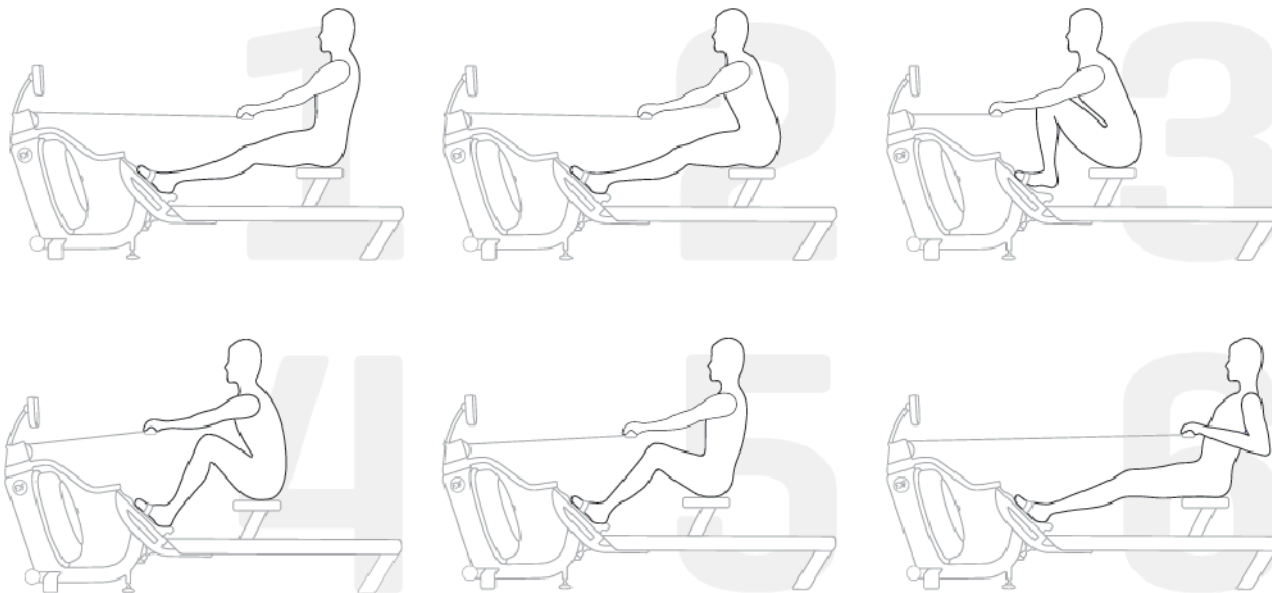
! CAUTION

It is strongly recommended that a drop cloth be used under the fluid Tank whenever the Tank plug is opened for water treatment.

»» Operation Instructions

»» Start Rowing

There are six phases to completing a rowing stroke




1. Sit with straight legs and back, leaning forward slightly at the hips with arms out straight and hands level with the lower ribs. Swing back.
2. Legs and back straight, leaning slightly forward from the hips, arms out in front. Lean and slide forward.

Note: Hands should now be around your knees, keeping legs straight.

3. Legs come forward, aiming to get the shins vertical. Back is still straight, and posture leaning slightly forward with arms still out front. Now drive hard, this is the CATCH.
4. Knees partially straightened so seat is now at mid-point of travel, back and arms still straight. Maintain the stroke.
5. Knees are nearly straight, back is still straight but now leaning slightly back from the hips. Arms straight. Now squeeze through.
6. Legs now fully extended. Back straight and leaning slightly back, now pull with the arms so they are close to the chest, forearms horizontal and elbows close in to the rib cage. This is the FINISH.

For more information on correct rowing technique and workout tips visit our website www.kettlersport.com

 **CAUTION** Always consult a doctor before beginning an exercise program. Stop immediately if you feel faint or dizzy.

» Monitor Operation

Options:

Install the batteries, and the LCD panel will display with an audible buzz.

Mode: Allows access to various settings:

Set: Press when digits are flashing to set values upward. Can be applied for all settings with the exception of "Total Count" and "SPM". Once values are set, press "Enter" to move into the following mode.

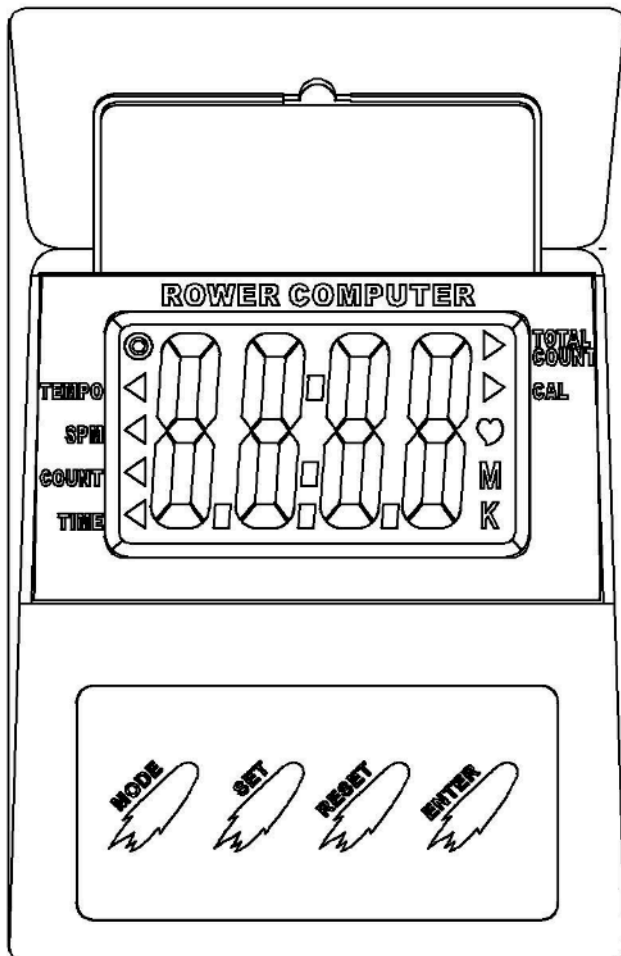
Reset: Press this key to reset values.

Note: Total count can only be reset by taking out and reinstalling batteries.

Enter: Press to set values. Numbers will flash. Press "Set" to fix settings.

Once values are decided, the Monitor will scroll through the various settings every six seconds. The settings can be fixed into a set value (SPM for example) by pressing the "Mode" button. Values such as time will accumulate toward zero and an audible alarm will sound once zero is reached. Press any key to stop the alarm.

The Monitor will enter sleep mode if not used for over 4minutes, 30 seconds.



Monitor Instructions:

Time: Working range from 0:00-99:59

Count: Working Range from 0-9999

SPM: 15SPM-3000.

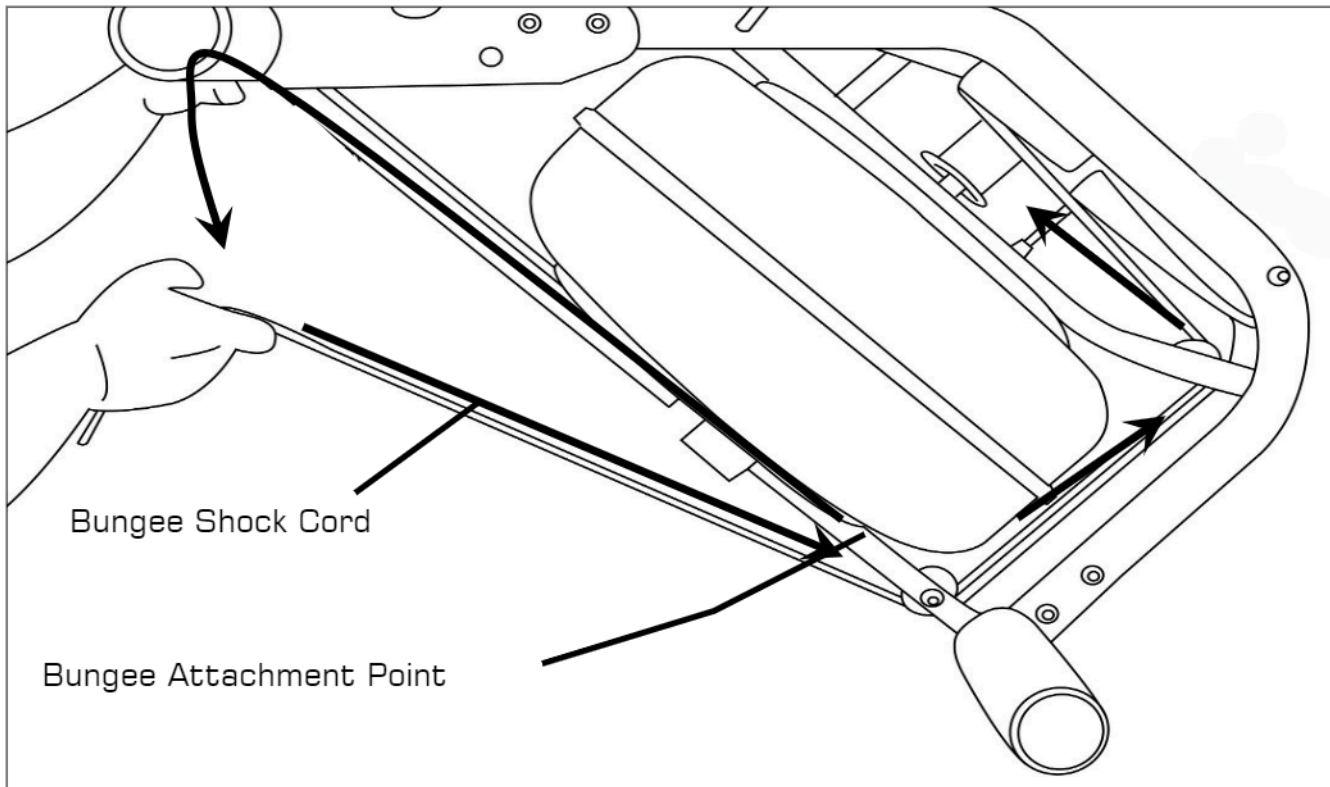
Calories: 0-9999

Total Count: 0-9999

Note: Monitor must be turned off and restarted to reset total count.

Tempo: Working range from 0-180 beeps per minute.

» Detaching the WAVE ROWER Belt



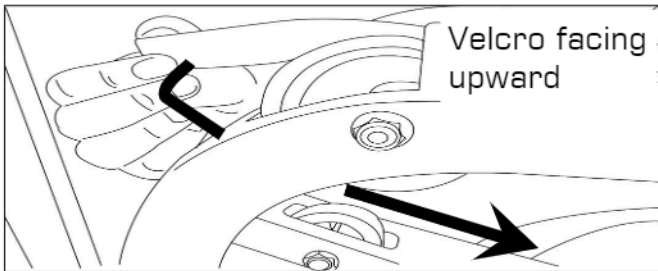
1. To detach Belt, simply pull beyond the range of the normal rowing stroke until the Belt detaches from the Belt Bungee Pulley.

Tip: You'll hear the Velcro separating just before the Belt detaches.

2. Cut plastic tie holding Bungee at the Bungee Attachment Point, pull the Cord through all three Pulleys and leave excess on top of the Tank for now.

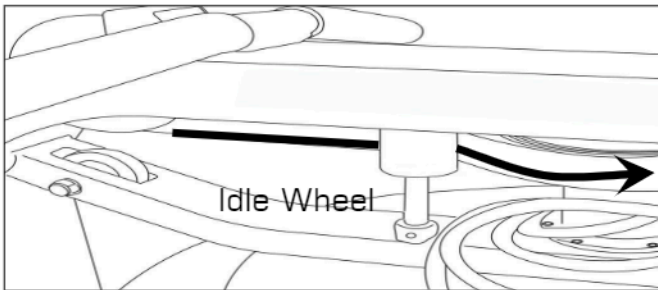
» Reattaching the WAVE ROWER Belt

STEP 1



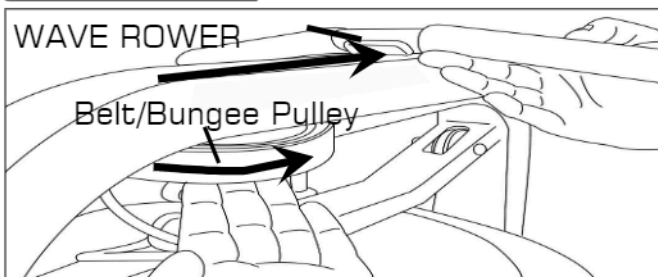
Begin reattaching the ROWER Belt by threading around the ROWER Belt Pulley with the Velcro side facing upward as illustrated.

STEP 2



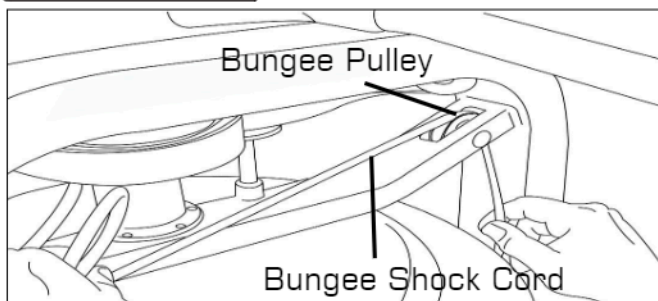
Next, thread the Belt around the Idle Wheel as shown. Once around the Idle Wheel, attach the ROWER Belt to the Belt/Bungee Pulley. There is an obvious "lip" at the attachment point.

STEP 3



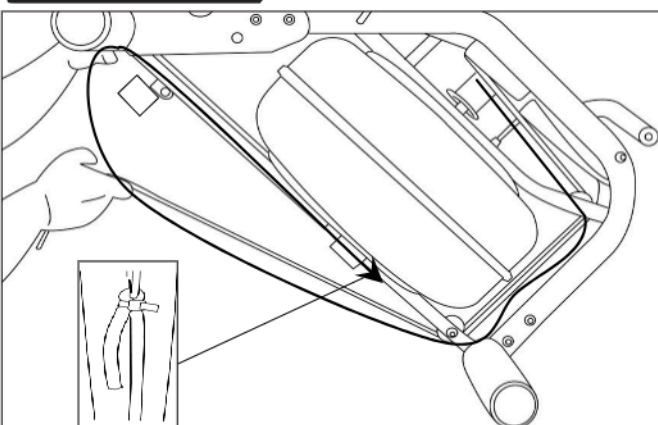
Wind the ROWER Belt onto the Belt/Bungee Pulley until the ROWER Handle is as it's furthest forward position.

STEP 4

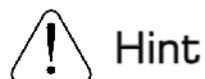


Rethread the Bungee Shock Cord (on opposite side of the Idle Wheel) back through the Bungee Pulleys and tie off at the Attachment Point.

STEP 5



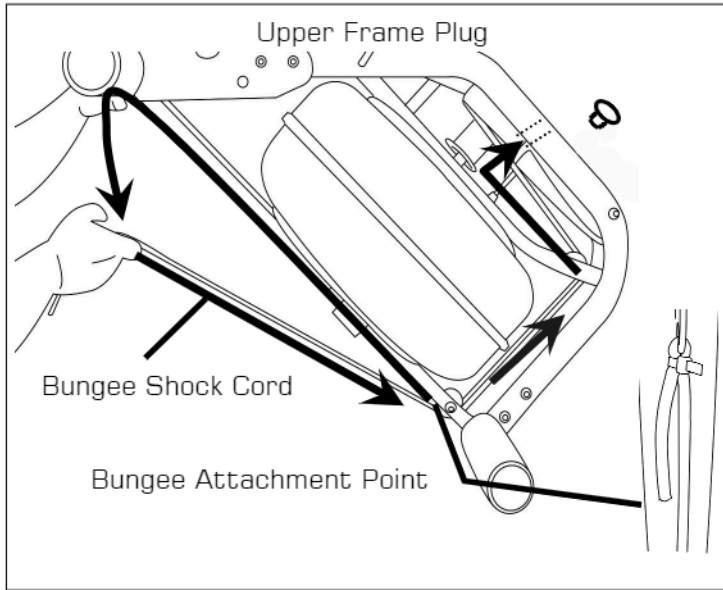
If Bungee Shock Cords previous tension seemed correct (a good way to judge is if the WAVE ROWER Handle can make it to the furthest point forward on the top of the Main Frame under bungee tension alone) then simply tie off at previous position. If the return is too slack, experiment by tightening the tension in small increments and testing until the correct tension is achieved. If the WAVE ROWER Handle cannot reach the end of the seat rail during a rowing stroke, then the Bungee Shock Cord is over-tensioned.



Hint

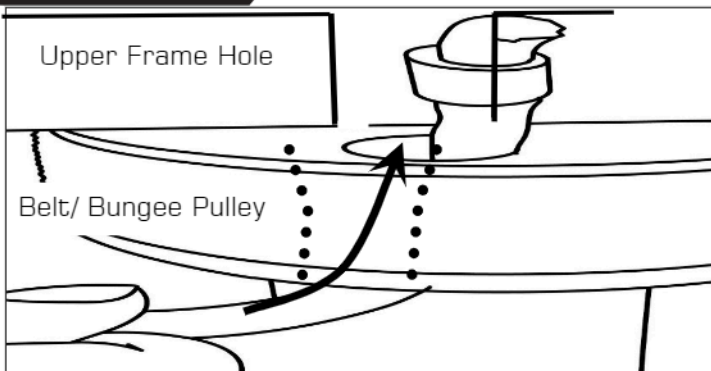
» Removing the Bungee Shock Cord

STEP 1



Move the Rowing Handle to it's farthest forward point on the Main Frame, then cut the Plastic End Tie and follow the drawing above for bungee removal. Next, remove the Upper Frame Plug to allow the Bungee Shock Cord to be threaded through the top of the Frame. Note: You will need to rotate the Belt/Bungee Pulley to align the holes properly. Should the Belt drop off of during the Bungee change, please refer to the previous pages for "Attaching/Reattaching the ROWER Belt".

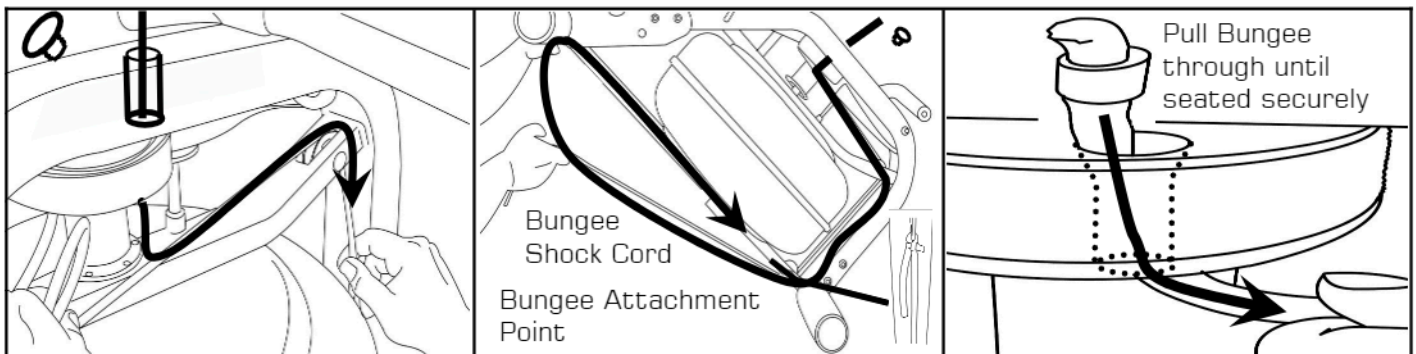
STEP 2



Once Bungee Cord and Upper Frame Hole are aligned, push the Bungee Cord up and through the frame as shown

» Replacing the Bungee Shock Cord

Reinstall the Shock Cord through the Upper Frame, along the opposite side of Idle Wheel, through the Mid Frame and Lower Bungee Pulleys and then tie off with plastic tie wrap to correct tension. Replace Frame Plug.



Tip: Correct Bungee tension is achieved when enough recoil is present for the Rowing Handle to easily reach the front of the ROWER Pulley Belt Bracket at the far front of the frame. If the Rowing Handle will not reach rearward to the end of the Seat Rail, the Bungee Cord is over-tightened and will require adjustment.

» Maintenance

All preventive maintenance activities must be performed on a regular basis. Performing routine preventive maintenance actions can aid in providing safe, trouble-free operation of all ProductFit equipment.

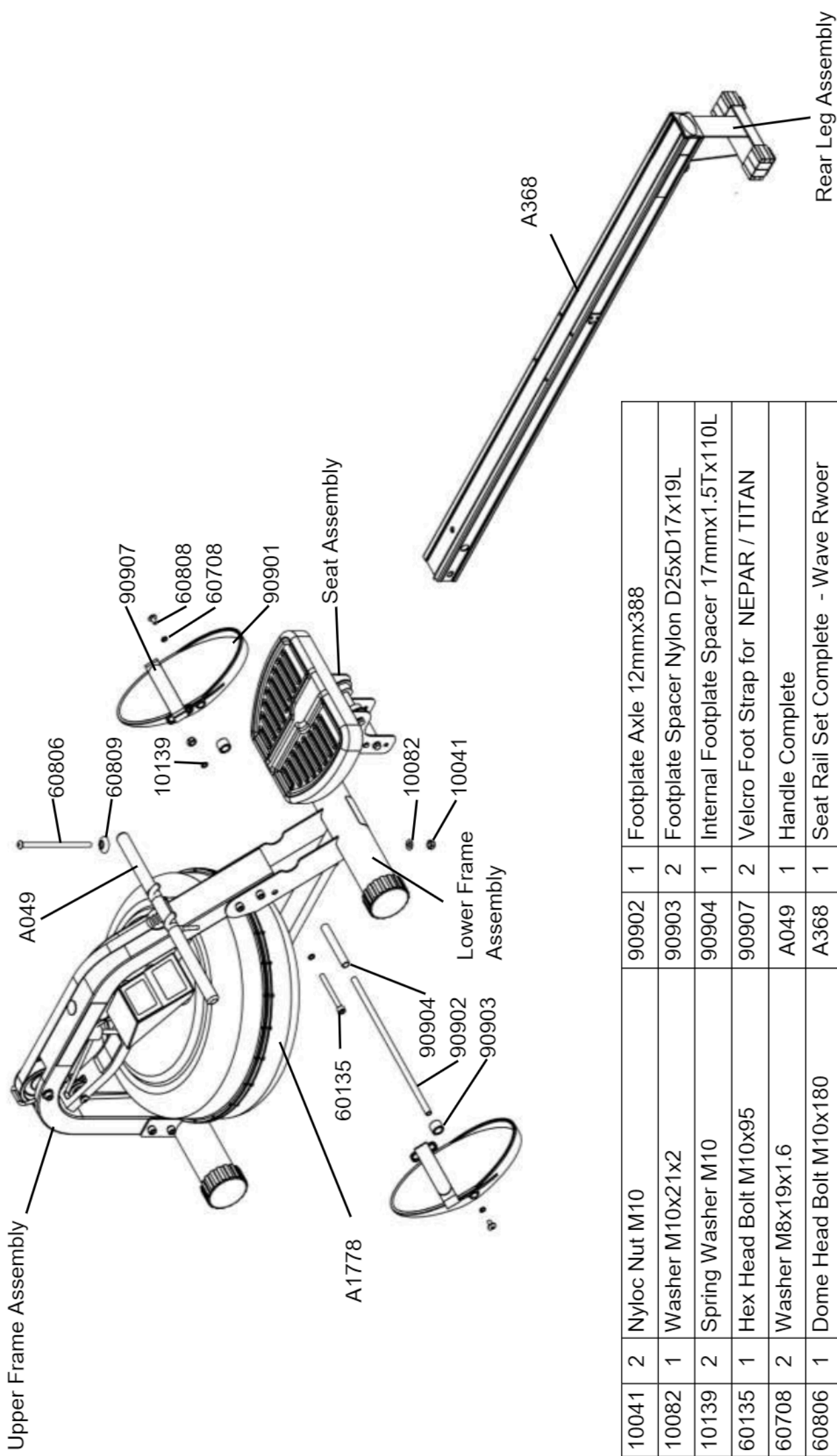
ProductFit is not responsible for performing regular inspection and maintenance actions for your machines. Instruct all personnel in equipment inspection and maintenance actions and also in accident reporting and recording.

ProductFit representatives are available to answer any questions that you may have.

Item	Time Frame	Instructions	Notes
Seat and Seat Rail	Weekly	Wipe down Seat Rail and Seat wheels with lint free cloth.	
Frame	Weekly	Wipe down Frame with lint free cloth.	
Tank and Water Treatment	12 months to 2 years	Follow instructions as specified in the "Water Treatment" section of this manual.	
Bungee Cord	Check every hundred hours for correct tension and for signs of wear.	The Bungee Cord should last for many years. If a Bungee Cord change is required, please contact your local service representative or go online at www.kettlersport.com for further details.	
Rowing Belt	Check every hundred hours for correct tension and for signs of wear.	The Rowing Belt should provide many years of trouble free use. If a Rowing Belt change is required, please contact your local service representative.	

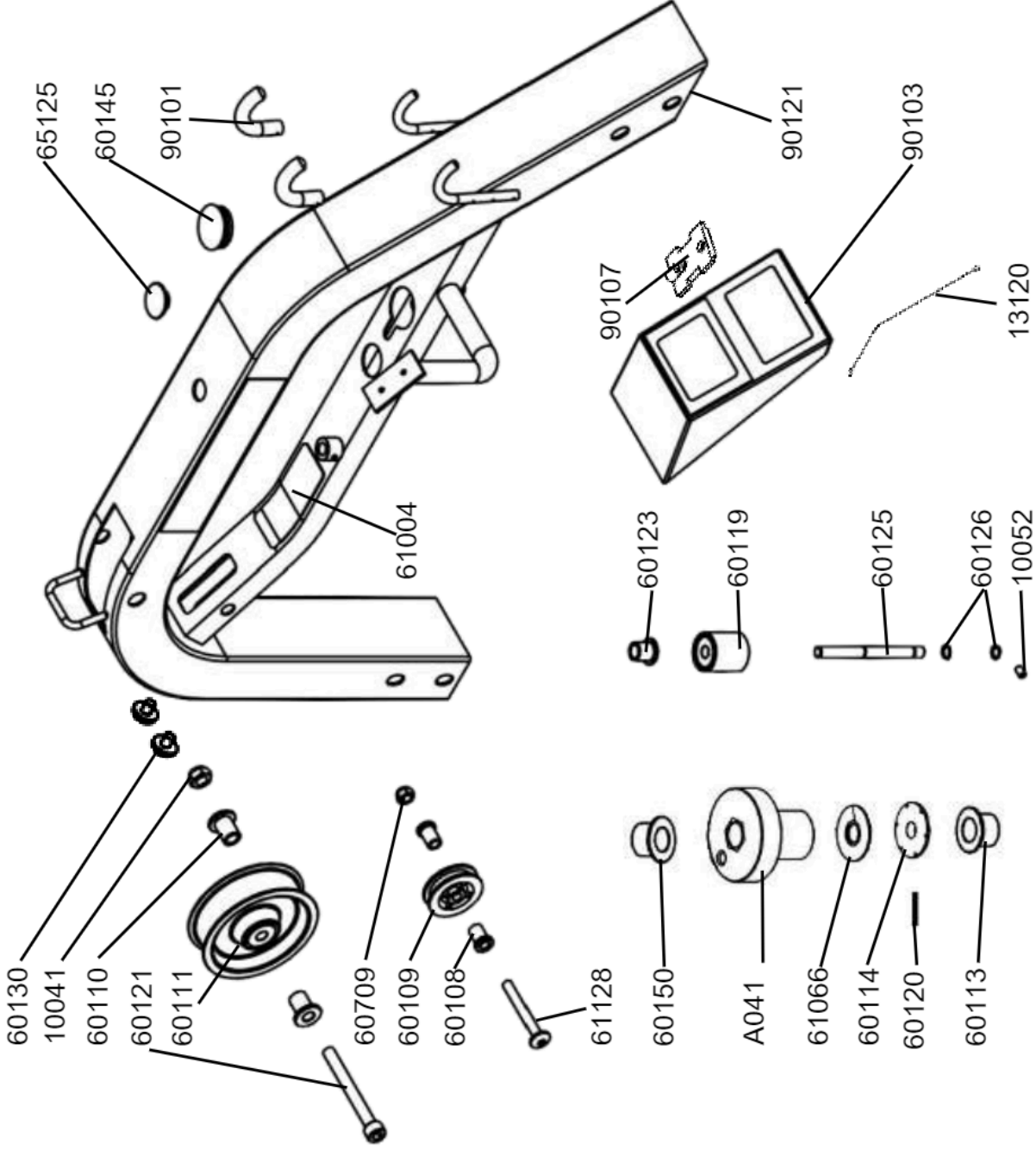
» Troubleshooting

Fault	Probable Cause	Solution
Water changes color or becomes cloudy.	The WAVE ROWER is in direct sunlight or has not had water treatment.	Change WAVE ROWER location to reduce direct exposure to sunlight. Add water treatment or change Tank water as directed in the water treatment section of this manual. Consider using distilled water to refill Tank.
WAVE ROWER Belt slipping off Belt / Bungee Pulley.	Bungee not under enough tension.	Tighten Bungee Cord following the instructions in "Replacing the Bungee/Shock Cord" section of this manual.
Front of the WAVE ROWER lifts slightly during vigorous rowing.	M10X150mm Vertical Seat Rail Tensioning Bolt is slightly too loose.	Tighten Bolt 1/2 turn and row again. Tighten as needed until problem stops. Note: Over tightening this Bolt can damage the Seat Rail. Only tighten Bolt in small increments until fault is corrected.
The WAVE ROWER Monitor does not illuminate after battery installation.	Batteries installed incorrectly or need replacing.	Reinstall batteries in correct position and try again. If the LCD screen fails to illuminate, try rotating the batteries slightly in the Monitor. If this fails, contact your local service center.
The WAVE ROWER Monitor screen illuminates, but does not register when rowing.	Loose or failed connection.	Check that the Monitor lead is connected properly. If it is connected then contact your local service center.



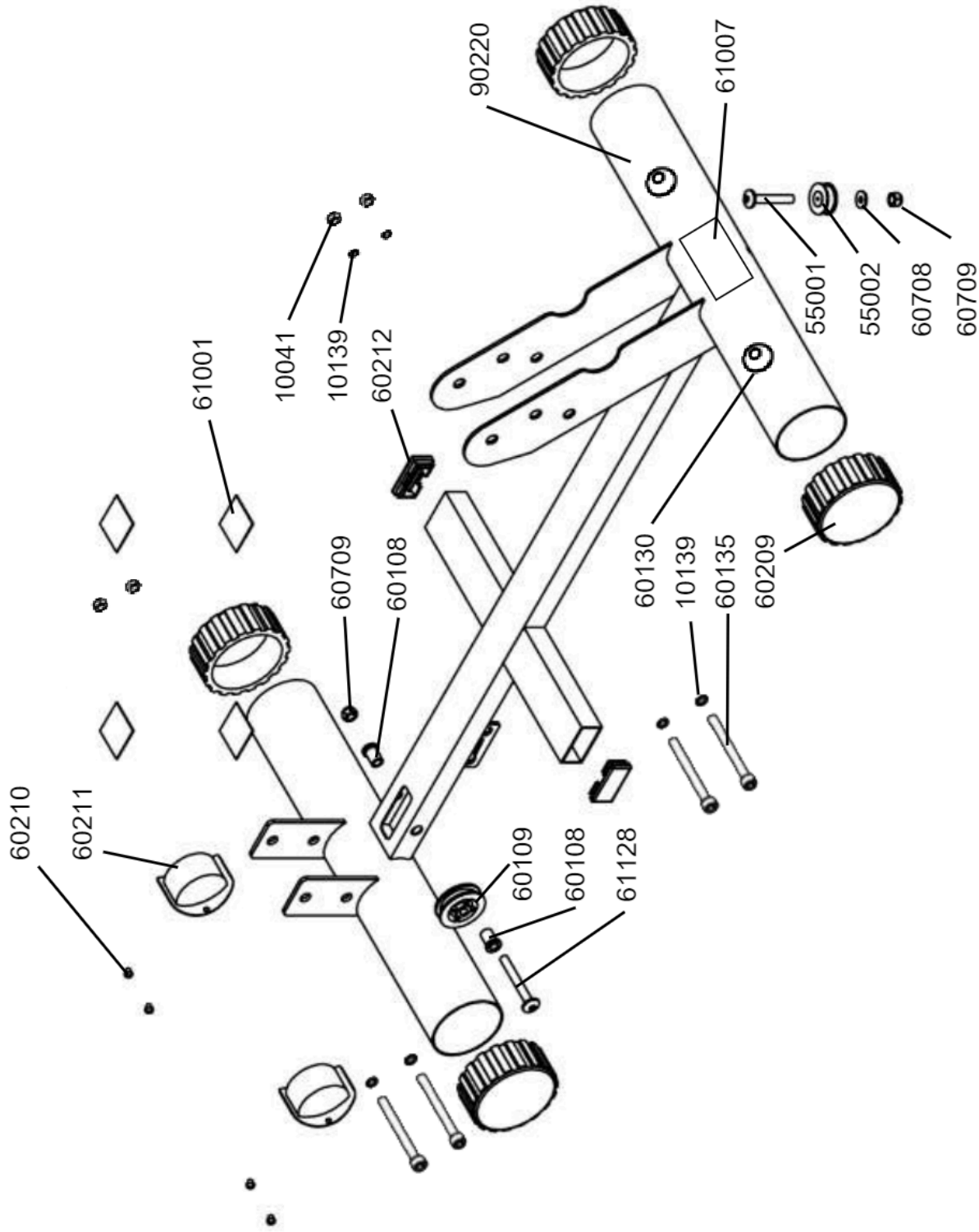
10041	2	Nyloc Nut M10	90902	1	Footplate Axle 12mmx388
10082	1	Washer M10x21x2	90903	2	Footplate Spacer Nylon D25xD17x19L
10139	2	Spring Washer M10	90904	1	Internal Footplate Spacer 17mmx1.5Tx110L
60135	1	Hex Head Bolt M10x95	90907	2	Velcro Foot Strap for NEPAR / TITAN
60708	2	Washer M8x19x1.6	A049	1	Handle Complete
60806	1	Dome Head Bolt M10x180	A368	1	Seat Rail Set Complete - Wave Rwoer
60808	2	Dome Head Bolt M8x15	A1778	1	Non AR Tank Complete Assembly
60809	1	Plastic Dome Cap 10mm			
90901	2	Plastic Footplate - NEPAR/TTNAR			

Upper Main Frame



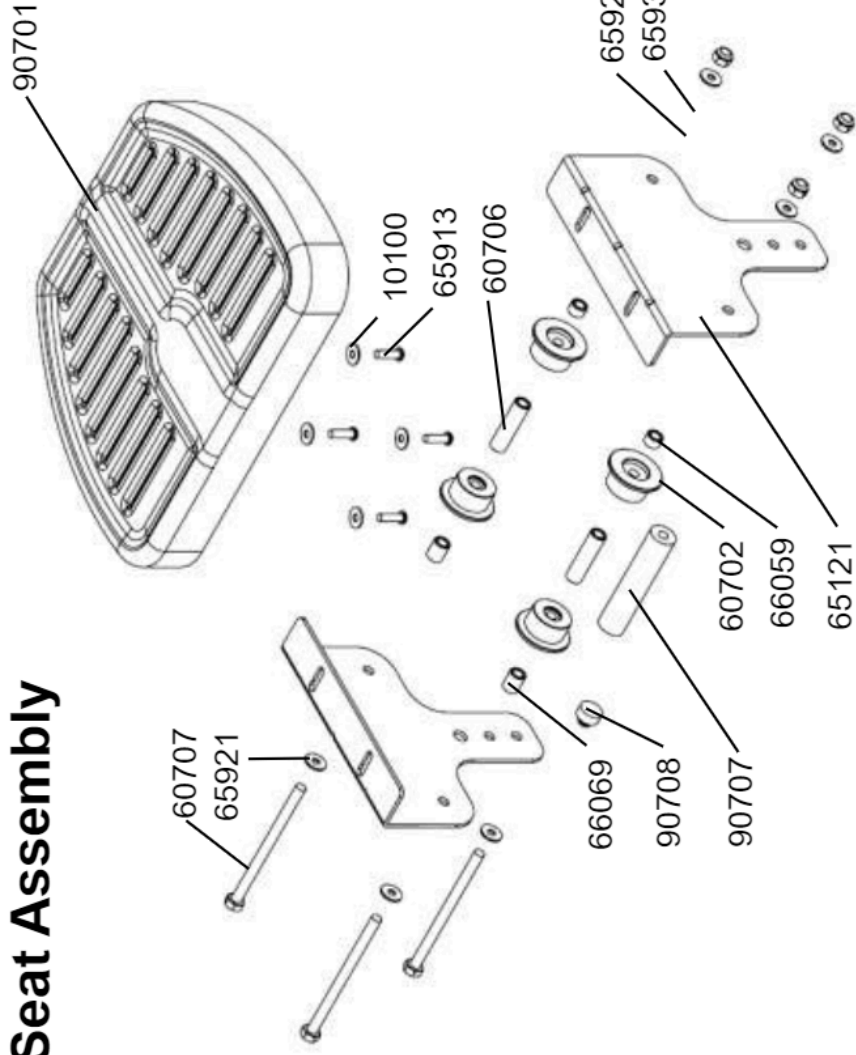
FDF PN	Qty	Description
10041	1	Nyloc Nut M10
10052	1	Grub Screw M4x6 - B
13120	1	Sensor Connecting Cable 450mm
60108	2	Bungee Pulley Spacer 8mm
60109	1	Bungee Pulley 50mm
60110	2	Belt Pulley Spacer 10x24x23
60111	1	Belt Pulley 100mm & 2x Bearing #60112
60113	1	Main Shaft Oil Bushing - Lower 38x20x22
60114	1	Magnet Ring & 6 x Magnet #60124
60119	1	Idle wheel & 2x Bearing #60112
60120	1	Roll Pin M6x30
60121	1	Hex Head Bolt M10x90
60123	1	Idle Shaft Upper Frame Mount 10mm
60125	1	Idler Pulley Shaft
60126	2	C Clip 10mm
60130	2	Frame Rubber Bumper
60145	1	Frame Plug 38.1mm
60150	1	Main Shaft Nylon Bushing - Upper
60709	1	Nyloc Nut M8
61004	1	Main Frame Upper Warning Decal - Orange
61066	1	Plastic Washer M5920.1x2T
61128	1	Dome Head Bolt M8x65
65125	1	Rubber End Cap - Main Frame
90101	2	Rubber Hook Cover
90103	1	Computer for Neptune with Plastic Spacer #90107
90121	1	Upper Frame with Decal #69334
A041	1	Belt Bungee Pulley Complete Kit

Lower Main Frame



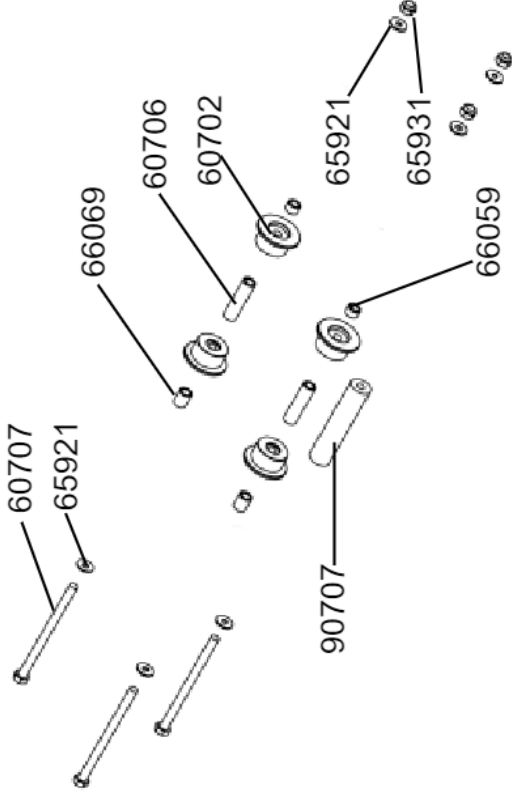
10041	4	Nyloc Nut M10
10139	6	Spring Washer M10
55001	1	Dome Head Bolt M8x50
55002	1	Small Pulley 8mmx31.5mm
60108	2	Bungee Pulley Spacer 8mm
60109	1	Bungee Pulley 50mm
60130	2	Frame Rubber Bumper
60135	4	Hex Head Bolt M10 x 95
60209	4	End Cap 76.2mm Round
60210	4	Transport Wheel Fastener
60211	2	Transport Wheel 76.2
60212	2	End Cap 25x50mm
60708	1	Washer M8x19x1.6
60709	2	Nyloc Nut M8
61001	4	Tank Bonding Strip 3M-VHB
61007	1	Main Frame Lower Warning Decal
61128	1	Dome Head Bolt M8x65
90220	1	Lower Frame - Wave Rower

Seat Assembly



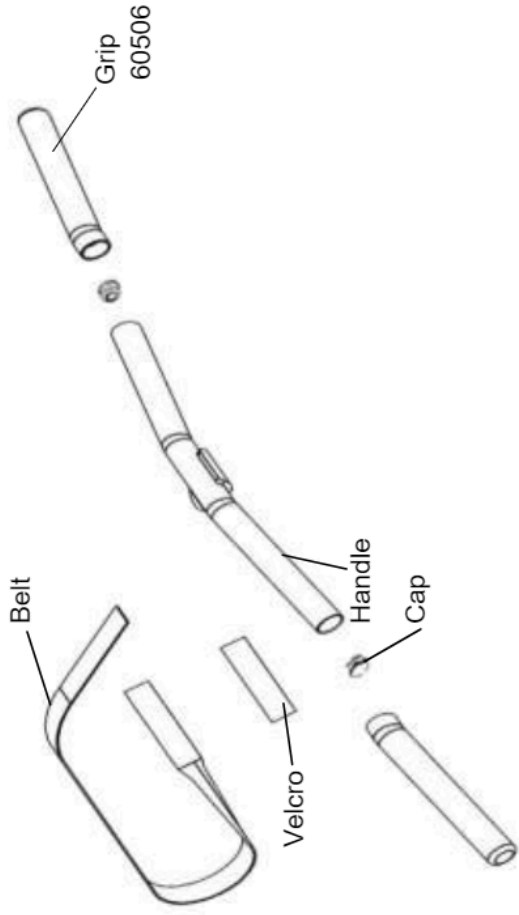
10100	4	Washer M6x16x1 - B
60702	4	Seat Wheel - HS
60706	2	Inner Axle Bushing Long
60707	3	Hex Bolt M8x120mm
65121	2	Seat Frame Bracket
65913	4	Dome Head Bolt M6x20 - B
65921	6	Washer M8.5x19x1.6t - B
65931	3	Nyloc Nut M8 - B
66059	2	Seat Wheel Short Spacer 12.7x8.1x8.5 - B
66069	2	Seat Wheel Short Spacer 12.7x8.1x16 - B
90701	1	Seat LS-E22
90707	1	Lower Seat Wheel Axle Spacer
90708	1	Round Magnet 7mm x 15

A139 Seat Wheel Assembly



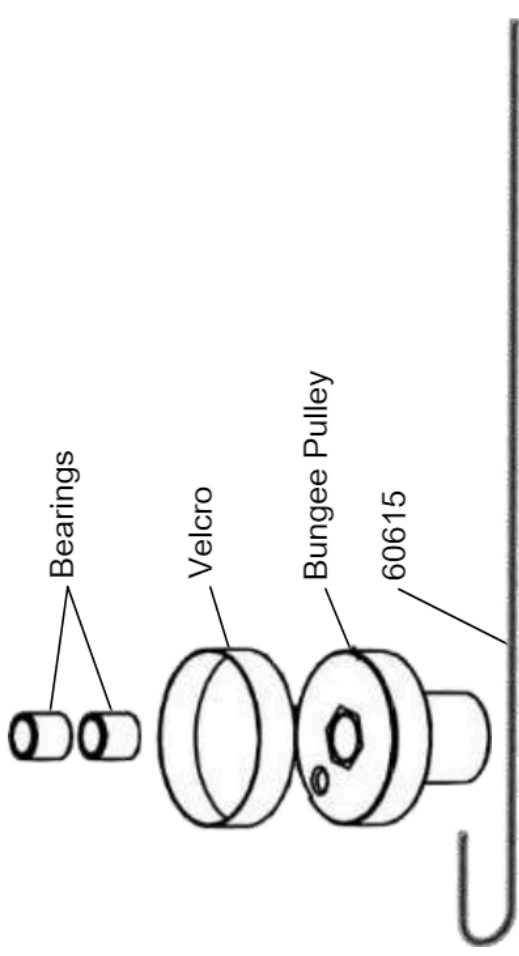
60702	4	Seat Wheel - HS
60706	2	Inner Axle Bushing Long
60707	3	Hex Bolt M8x120mm
65921	6	Washer M8.5x19x1.6t - B
65931	3	Nyloc Nut M8 - B
66059	2	Seat Wheel Short Spacer 12.7x8.1x8.5 - B
66069	2	Seat Wheel Short Spacer 12.7x8.1x16 - B
90707	1	Lower Seat Wheel Axle Spacer

A049 Handle Complete



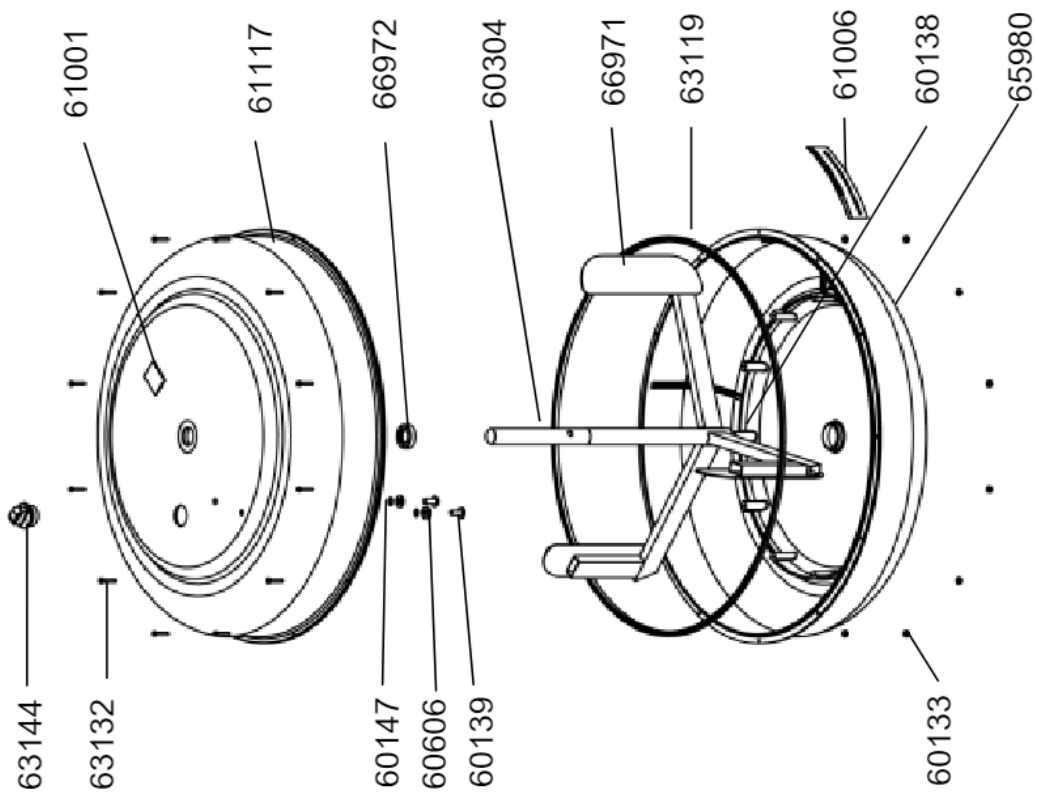
60506	2	Handle Grip
-------	---	-------------

A041 Belt Bungee Pulley Complete



60900	1	Belt Bungee Pulley Complete & Velcro & One Way Bearings #90136
60615	1	Bungee Cord 8mm x 1950 & Inner Clip #65922

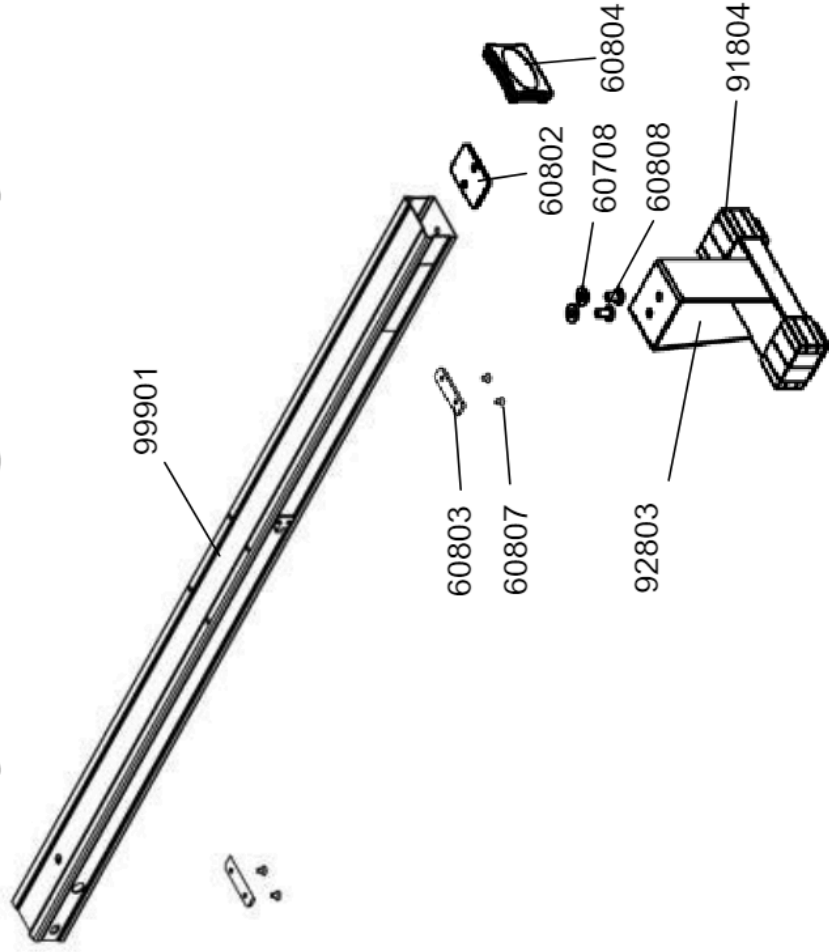
A1778 – Non AR Tank Complete Assembly



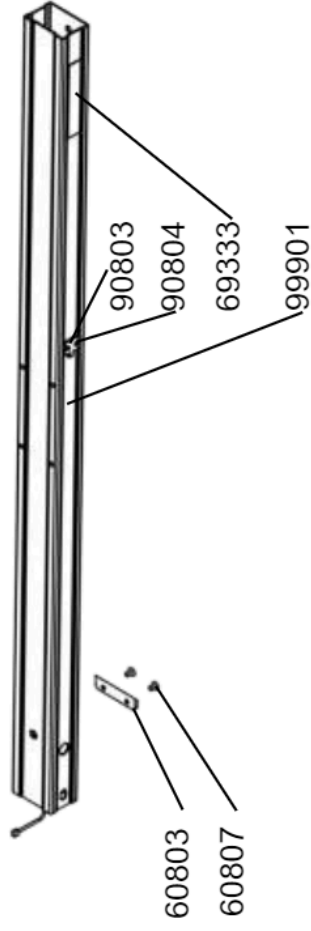
FDL PN	Qty	Description
60133	12	Nyloc Nut M3 - SUS
60138	1	Impeller End Cap
60139	2	Tank Internal Screw M6x15 - SUS
60147	2	O- Ring 9.5x6.5x1.5
60304	1	Flywheel Upper Shaft
60606	2	Plastic Washer M6x15x2.5 - B
61001	1	Tank Bonding Strip 3M-VHB 40x40x1mm
61117	1	Upper Tank Shell & Double Lip Seal # 66972
63119	1	Tank Large Ring Seal –Gray 499x5.8
63132	12	Allen Key Bolt M3x20 - SUS
63144	1	Tank Plug for HS Tank
65980	1	Lower Tank Shell with Decal #61006
66971	1	Impeller

Rail Assembly & Rear Leg Assembly

A368 Seat Rail Set Complete

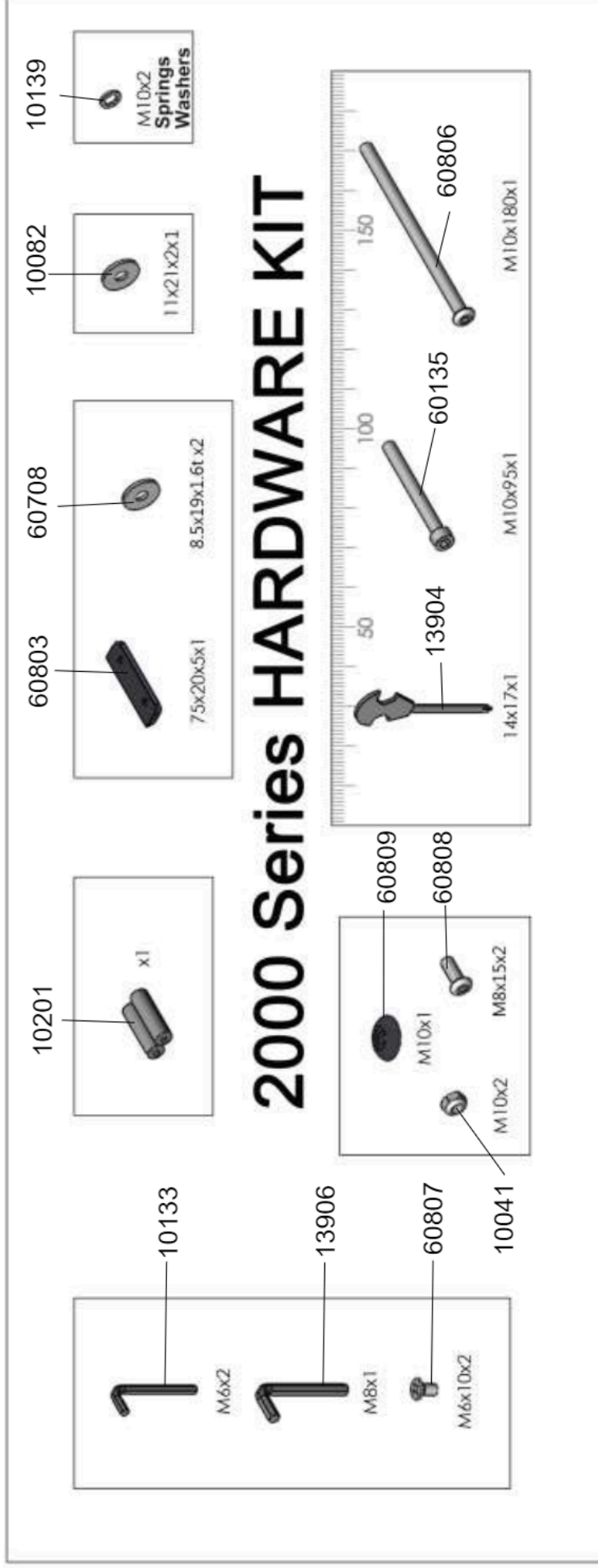


60708	4	Washer M8x19x1.6
60802	1	Rear Leg Internal Mounting Plate
60803	2	Rubber Bump Stop - Seat Rail
60804	1	Seat Rail End Cap 75x50
60807	4	Counter Sunk Bolt M6x10
60808	2	Dome Head Bolt M8x15
90803	1	Sensor & Lead
90804	2	Sensor Mounting Screw M3x8
91804	2	Rear Leg End Caps
92803	1	Rear Leg
99901	1	Seat Rail with Decal #69333



60803	1	Rubber Bump Stop - Seat Rail
60807	2	Counter Sunk Bolt M6x10
90803	1	Sensor & Lead
90804	2	Sensor Mounting Screw M3x8
99901	1	Seat Rail with Decal #69333

HNEP Hardware Kit



10041	2	Nyloc Nut M10
10082	1	Washer M10x21x2
10133	2	Allen Key 6mm
10201	1	AA Battery
10139	2	Spring Washer M10
13904	1	Multi-Tool
13906	1	Allen Key 8mm
60135	1	Hex Head Bolt M10x95
60708	2	Washer M8.5x19x1.6t
60803	1	Rubber Bump Stop - Seat Rail
60806	1	Dome Head Bolt M10x180
60807	2	Counter Sunk Bolt M6x10
60808	2	Dome Head Bolt M8x15
60809	1	Plastic Dome Cap 10mm

KETTLER

