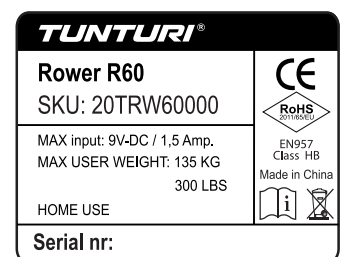


TUNTURI®

R60 Rower Performance

GB	User manual	09 - 15
DE	Benutzerhandbuch	16 - 23
FR	Manuel de l'utilisateur	24 - 31
NL	Gebruikershandleiding	32 - 39
IT	Manuale d'uso	40 - 47
ES	Manual del usuario	48 - 55
SV	Bruksanvisning	56 - 63
SU	Käyttöohje	64 - 71



Attention, Achtung, Attention, Attentie, Attenzione, Atención, Giv akt, Huomio

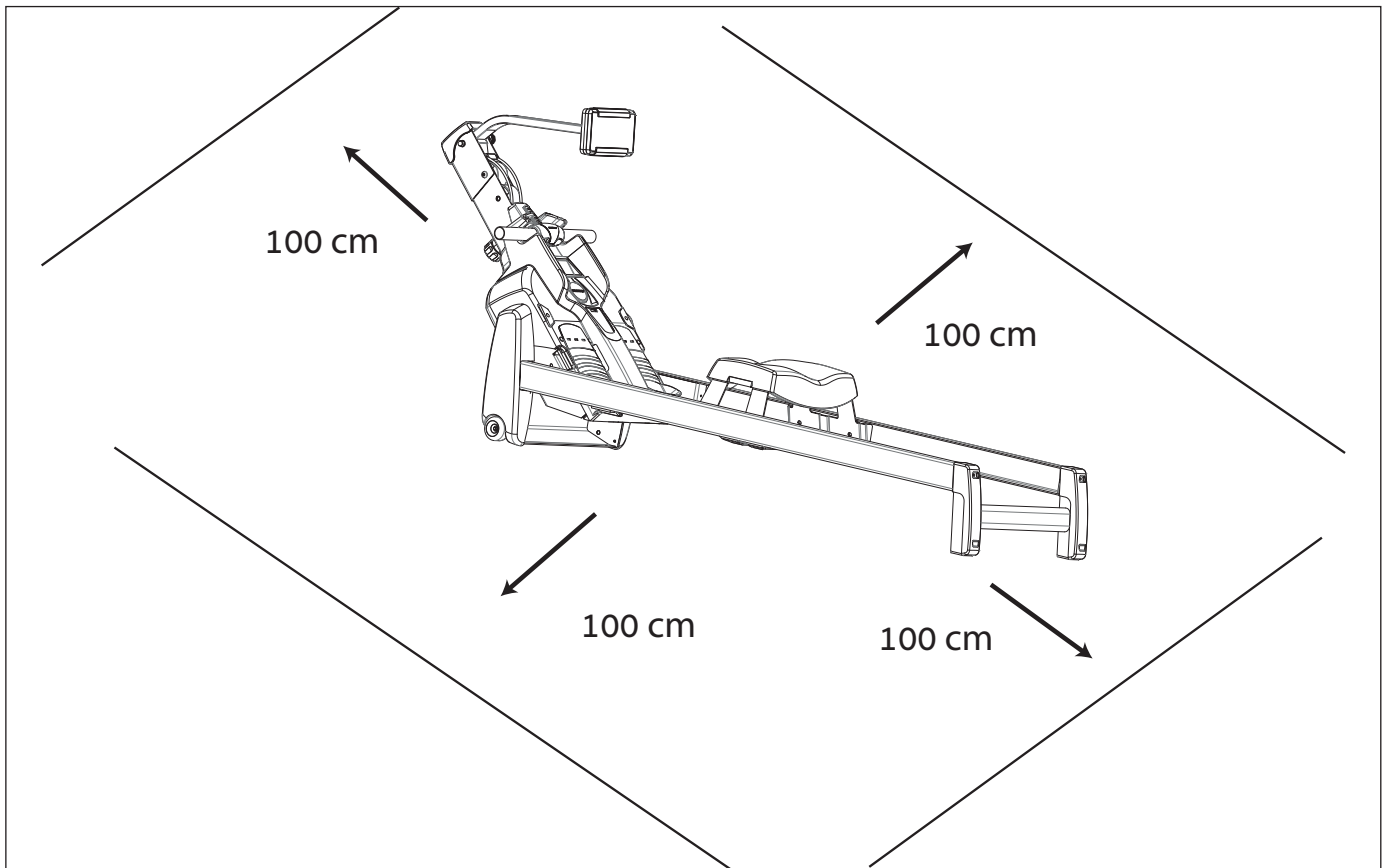
- Please read this user manual carefully prior to using this product.
- Lesen Sie sich vor dem Gebrauch des Produkts diese Bedienungsanleitung sorgfältig durch.
- Veuillez lire attentivement le présent manuel de l'utilisateur avant d'utiliser ce produit.
- Lees deze gebruikershandleiding zorgvuldig voordat u dit product gaat gebruiken.
- Leggere attentamente questo manuale dell'utente prima di utilizzare il prodotto.
- Antes de utilizar este producto, lea atentamente este manual de usuario.
- Läs den här användarhandboken noggrant före användning av den här produkten.
- Lue tämä käyttöohje huolellisesti ennen tämän tuotteen käyttöä.



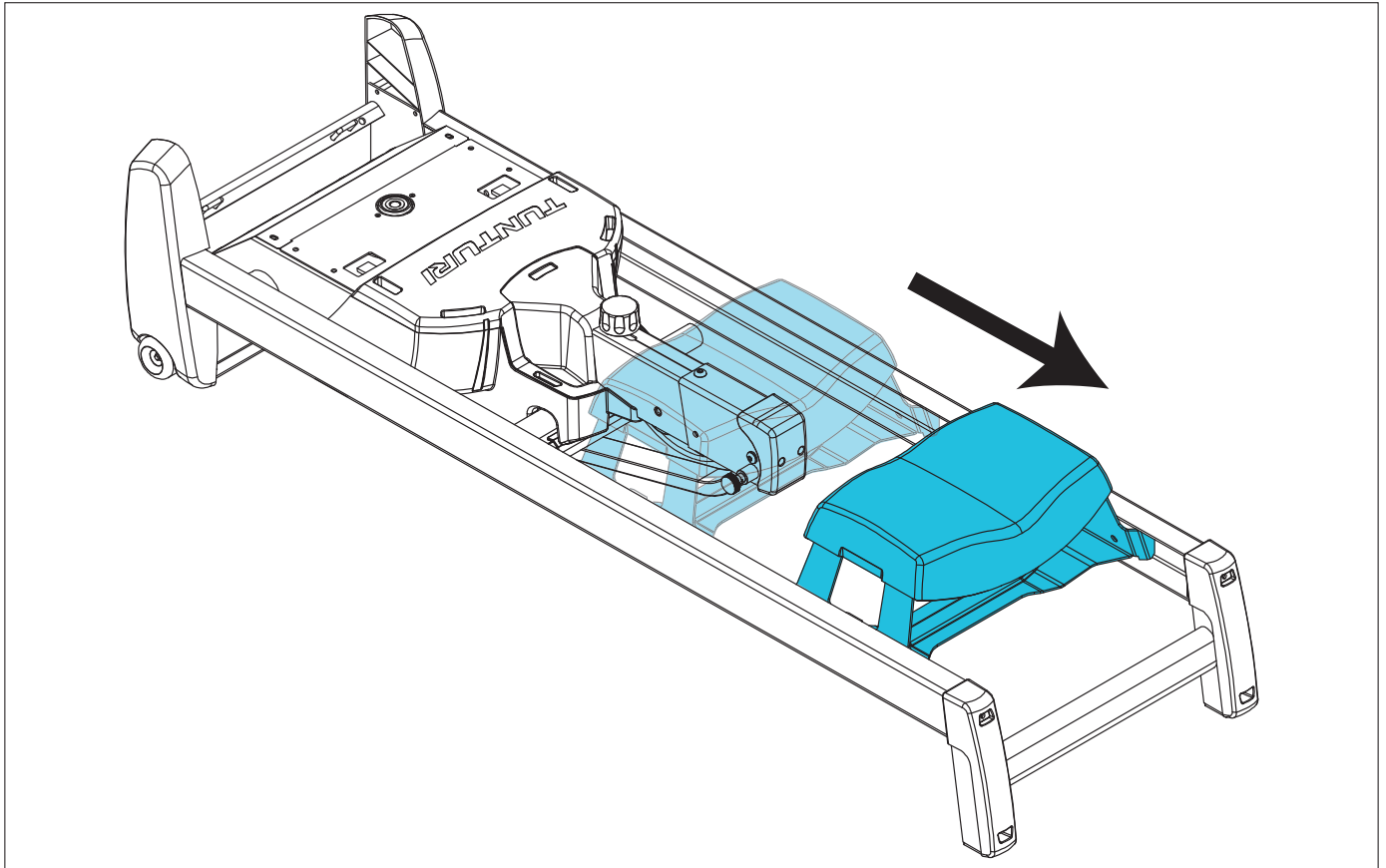
A



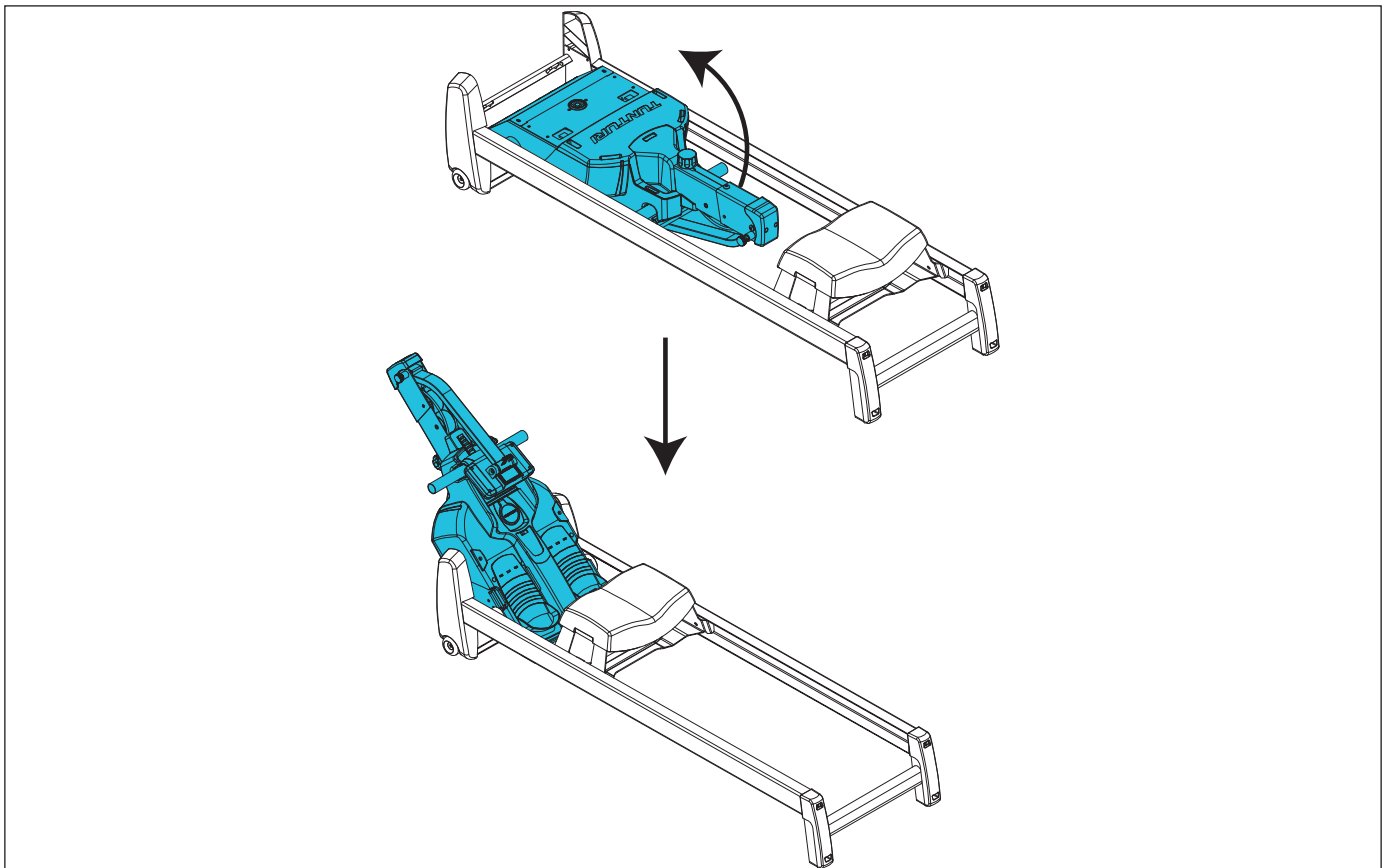
B-0



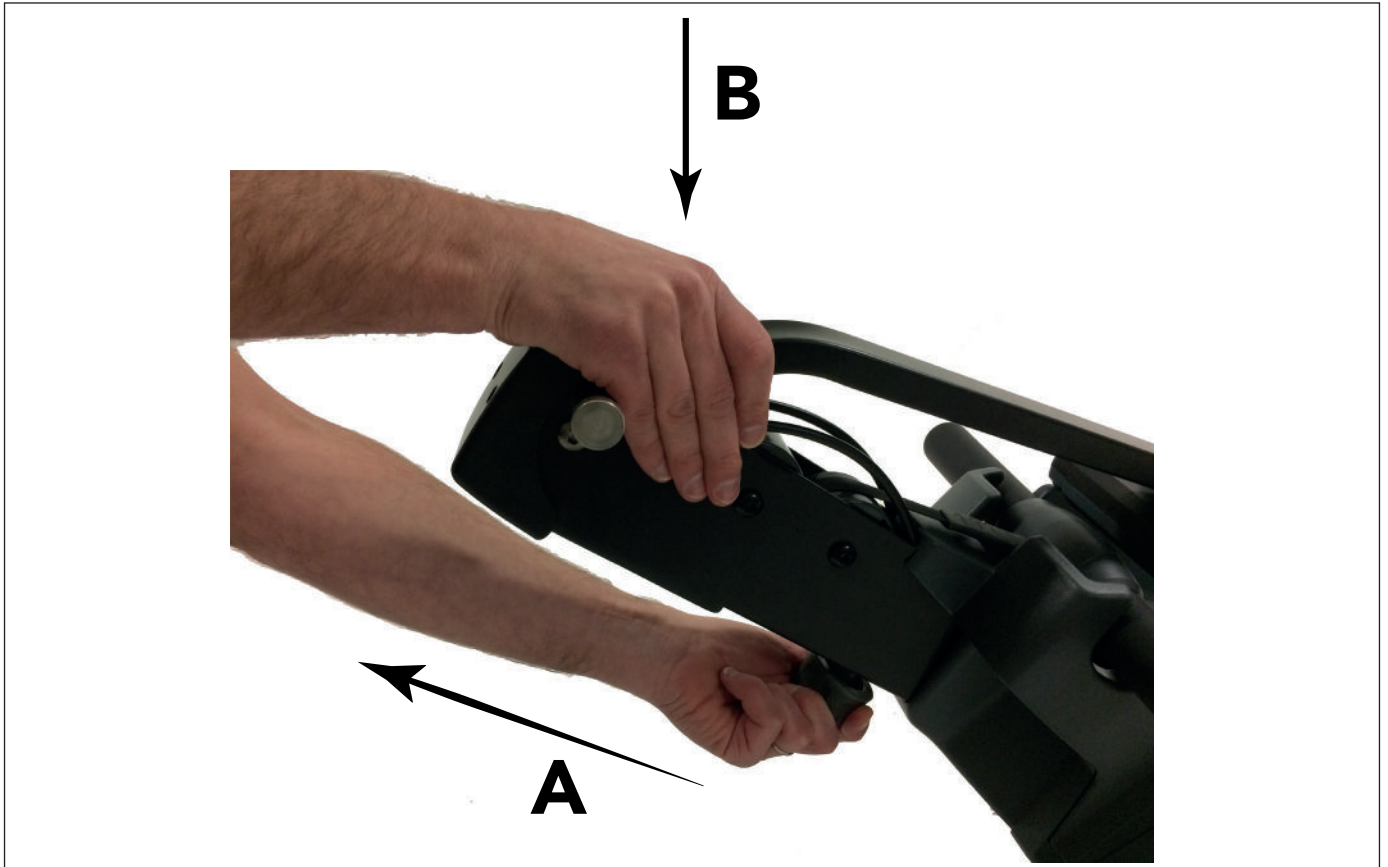
B-1



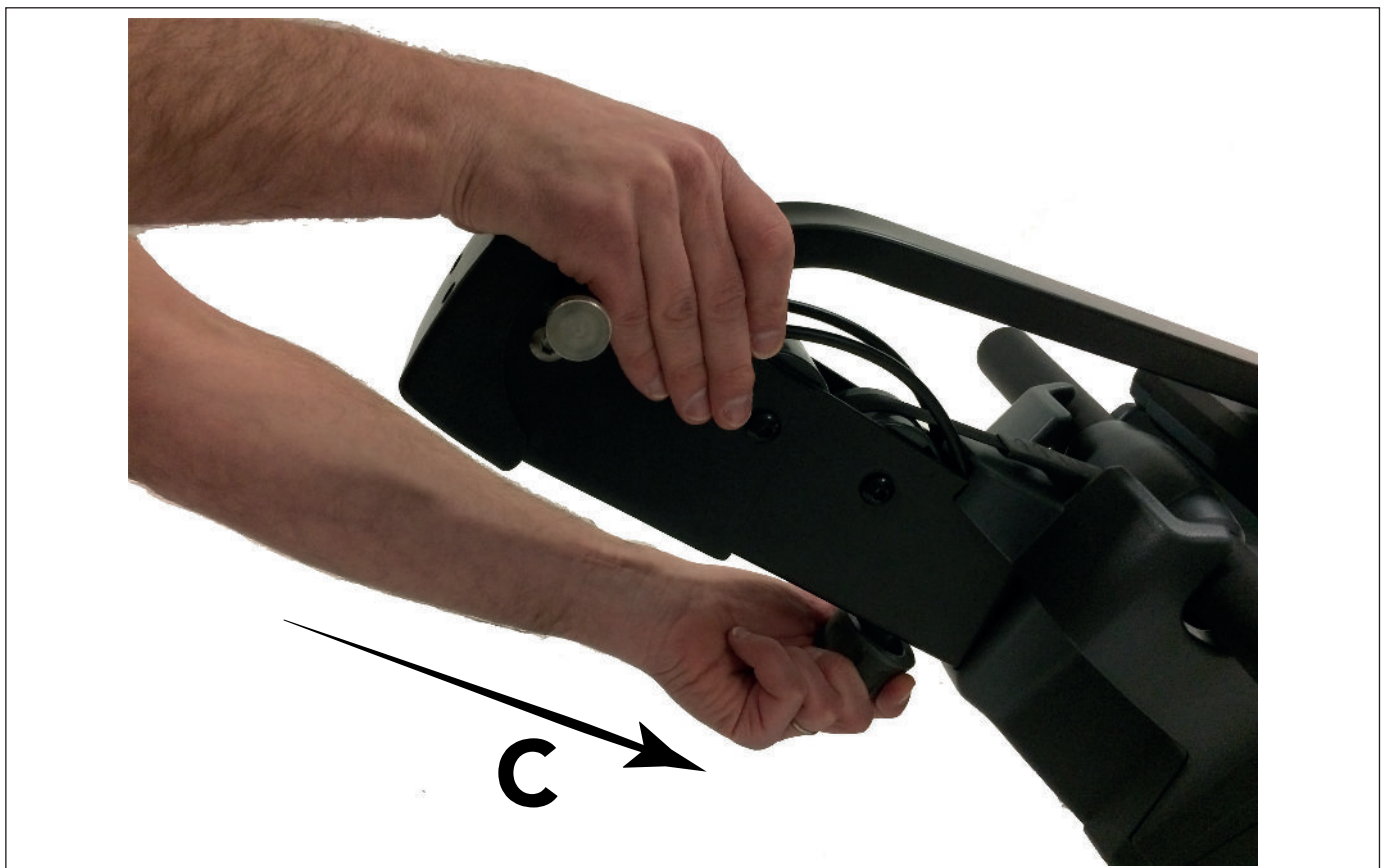
B-2



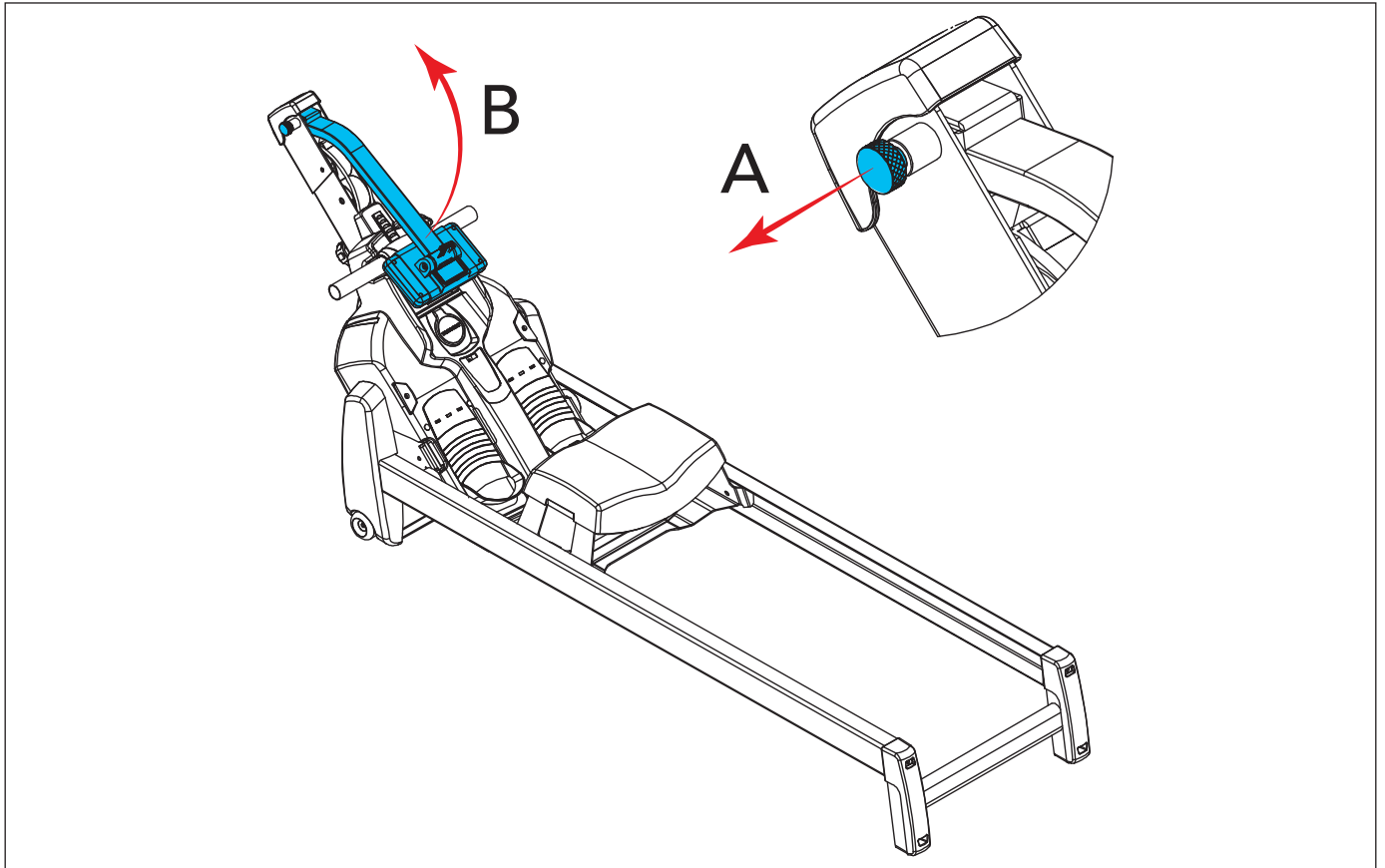
B-3A



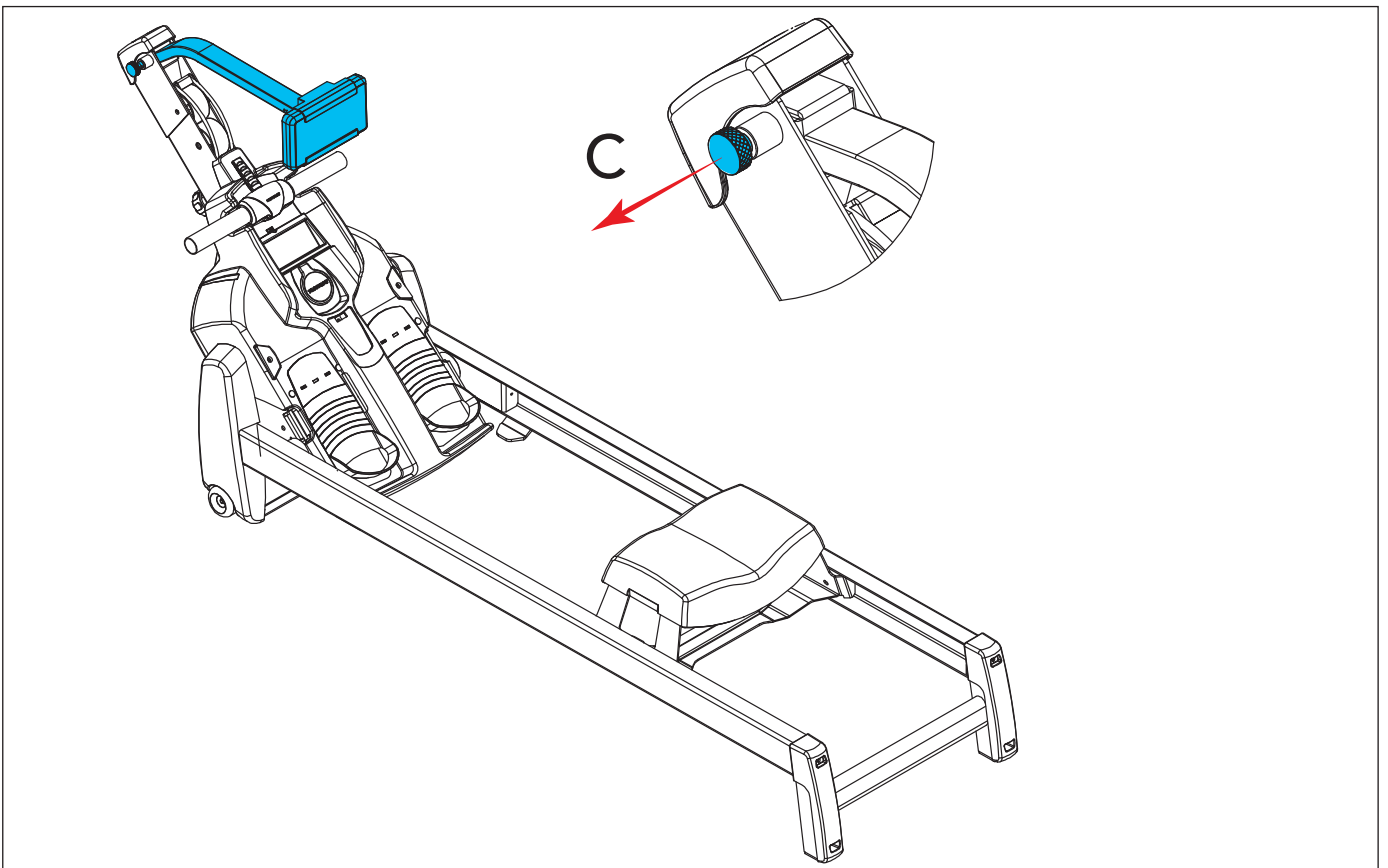
B3B



B-4A



B-4B



C



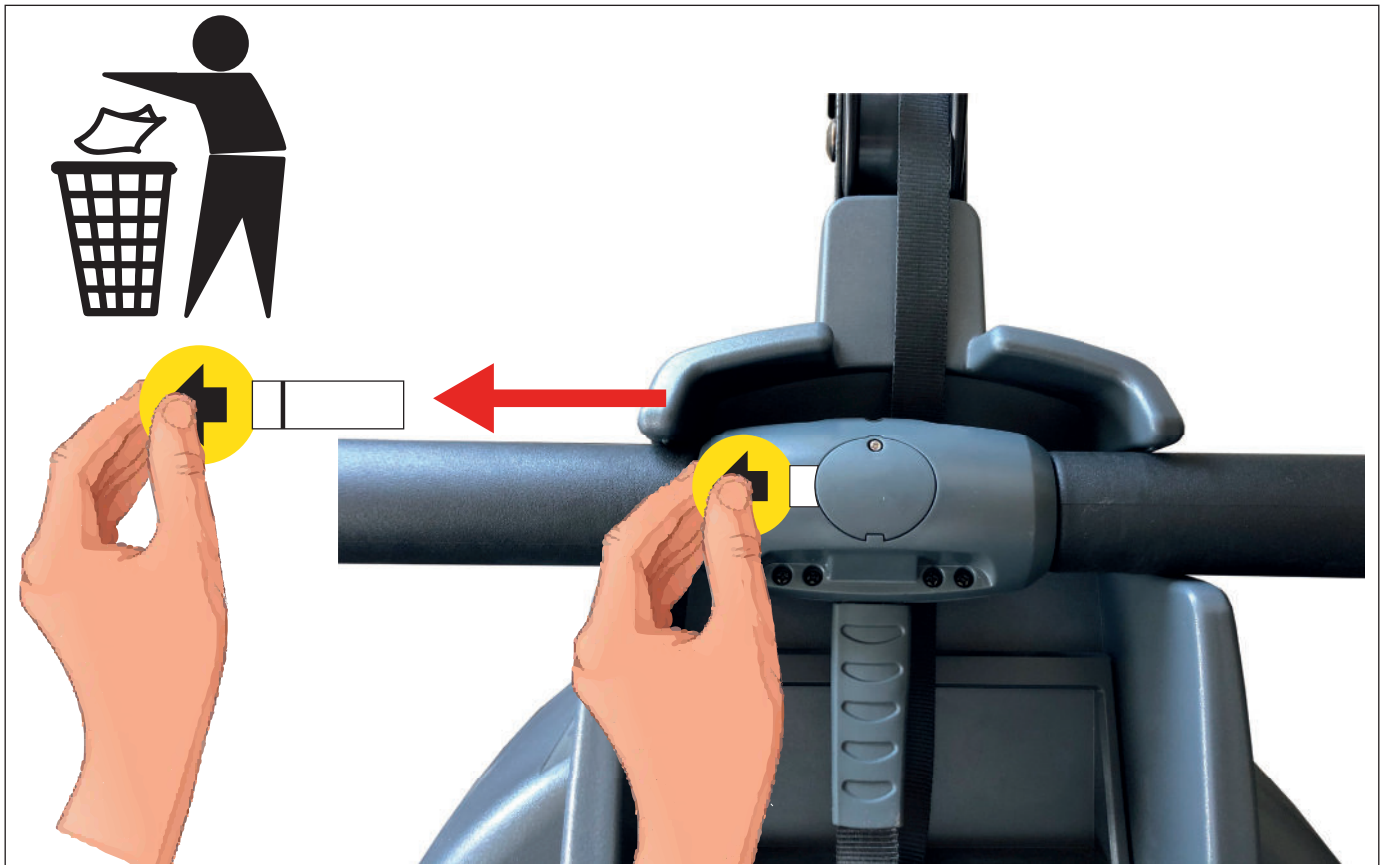
D-1



D-2



E



Index

Rower	9
Safety warnings	9
Electrical safety	9
Assembly instructions	10
Description	10
Assembly (fig. B)	10
Power supply (fig. C)	10
Prepare hand grip control (fig. E)	10
Workouts	10
Exercise Instructions	10
Heart rate	10
Use	11
How to row	11
Console (fig. D-1)	12
Explanation Display functions	12
Explanation of buttons	12
Operation	12
Programs	12
Bluetooth & APP	13
Cleaning and maintenance	13
Troubleshooting	14
Remote control does not work	14
Squeaking rollers	14
Transport and storage	14
Additional information	15
Technical data	15
Warranty	15
Declaration of the manufacturer	15
Disclaimer	15

Rower

Welcome to the world of Tunturi New Fitness!
Thank you for purchasing this piece of Tunturi equipment.
Tunturi offers a wide range of home fitness equipment, including cross trainers, treadmills, exercise bikes and rowers. The Tunturi equipment is suitable for the entire family, no matter what fitness level. For more information, please visit our website www.tunturi.com

Important Safety Instructions

This Owner's Manual is an essential part of your training equipment: reading all instructions in this manual before you start using this appliance. The following precautions must always be followed:

Safety warnings

⚠ WARNING

- Read the safety warnings and the instructions. Failure to follow the safety warnings and the instructions can cause personal injury or damage to the equipment. Keep the safety warnings and the instructions for future reference.
- The equipment is suitable for domestic use only. The equipment is not suitable for commercial use.
- Max. usage is limited to 5 hrs a day.
- The use of this equipment by children or persons with a physical, sensory, mental or motorial disability, or lack of experience and knowledge can give cause to hazards. Persons responsible for their safety must give explicit instructions or supervise the use of the equipment.

- Before starting your workout, consult a physician to check your health.
- If you experience nausea, dizziness or other abnormal symptoms, immediately stop your workout and consult a physician.
- To avoid muscular pain and strain, start each workout by warming up and finish each workout by cooling down. Remember to stretch at the end of the workout.
- The equipment is suitable for indoor use only. The equipment is not suitable for outdoor use.
- Only use the equipment in environments with adequate ventilation. Do not use the equipment in draughty environments in order not to catch a cold.
- Only use the equipment in environments with ambient temperatures between 10 °C and 35 °C. Only store the equipment in environments with ambient temperatures between 5 °C and 45 °C.
- Do not use or store the equipment in humid surroundings. The air humidity must never be more than 80%.
- Only use the equipment for its intended purpose. Do not use the equipment for other purposes than described in the manual.
- Do not use the equipment if any part is damaged or defective. If a part is damaged or defective, contact your dealer.
- Keep your hands, feet and other body parts away from the moving parts.
- Keep your hair away from the moving parts.
- Wear appropriate clothing and shoes.
- Keep clothing, jewellery and other objects away from the moving parts.
- Make sure that only one person uses the equipment at a time. The equipment must not be used by persons weighing more than 135 kg (300 lbs).
- Do not open equipment without consulting your dealer.

Electrical safety

(Only for equipment with electric power)

- Before use, always check that the mains voltage is the same as the voltage on the rating plate of the equipment.
- Do not use an extension cable.
- Keep the mains cable away from heat, oil and sharp edges.
- Do not alter or modify the mains cable or the mains plug.
- Do not use the equipment if the mains cable or the mains plug is damaged or defective. If the mains cable or the mains plug is damaged or defective, contact your dealer.
- Always fully unwind the mains cable.
- Do not run the mains cable underneath the equipment. Do not run the mains cable underneath a carpet. Do not place any objects on the mains cable.
- Make sure that the mains cable does not hang over the edge of a table.
- Make sure that the mains cable cannot be caught accidentally or tripped over.
- Do not leave the equipment unattended when the mains plug is inserted into the wall socket.
- Do not pull the mains cable to remove the mains plug from the wall socket.
- Remove the mains plug from the wall socket when the equipment is not in use, before assembly or disassembly and before cleaning and maintenance.

Assembly instructions

Description

Your rower is a piece of stationary fitness equipment used to simulate rowing without causing excessive pressure to the joints.

Assembly (fig. B)

⚠ WARNING

- If a part is missing, contact your dealer.
- Carry and move the equipment with at least two persons.

⚠ CAUTION

- Place the equipment on a firm, level surface.
 - Place the equipment on a protective base to prevent damage to the floor surface.
 - Allow at least 100 cm of clearance around the equipment.
- The rowing machine is shipped in the locked storage position.
 - Push the front tube folded on the frame up and forward.
 - Pull the locking pin up and press the front frame downward simultaneously by the pulley wheel cover.
 - Release the locking pin and ensure that the front frame is in locked forward position.
 - Always tighten the locking pin before you begin to exercise.

Adjust the console so that it is in an appropriate angle for exercise.

Power supply (fig. C)

The trainer is powered by an external power supply.

🔌 NOTE

- Connect the power supply with the trainer before connecting it to the wall outlet.
- Always remove power cord when machine is not in use.

Prepare hand grip control (fig. E)

To avoid battery drainage during transport and storage we have applied a battery insulation strip in the hand grip control unit. This needs to be pulled out, in a careful yet smooth movement, prior to use hand grip controls.

Workouts

The workout must be suitably light, but of long duration. Aerobic exercise is based on improving the body's maximum oxygen uptake, which in turn improves endurance and fitness. You should perspire, but you should not get out of breath during the workout.

To reach and maintain a basic fitness level, exercise at least three times a week, 30 minutes at a time. Increase the number of exercise sessions to improve your fitness level. It is worthwhile to combine regular exercise with a healthy diet. A person committed to dieting should exercise daily, at first 30 minutes or less at a time, gradually increasing the daily workout time to one hour. Start your workout at low speed and low resistance to prevent the cardiovascular system from being subjected to excessive strain.

As the fitness level improves, speed and resistance can be increased gradually. The efficiency of your exercise can be measured by monitoring your heart rate and your pulse rate.

Exercise Instructions

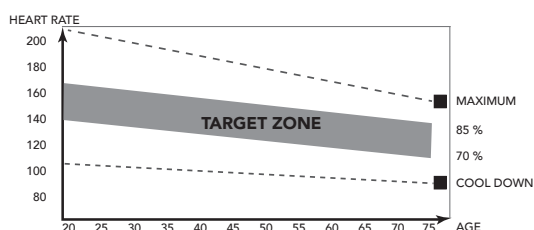
Using your fitness trainer will provide you with several benefits, it will improve your physical fitness, tone muscle and in conjunction with a calorie controlled diet help you lose weight.

The warming up phase

This stage helps get the blood flowing around the body and the muscles working properly. It will also reduce the risk of cramp and muscle injury. It is advisable to do a few stretching exercises as shown below. Each stretch should be held for approximately 30 seconds, do not force or jerk your muscles into a stretch - if it hurts, STOP

The exercise phase

This is the stage where you put the effort in. After regular use, the muscles in your legs will become more flexible. Work to your but it is very important to maintain a steady tempo throughout. The rate of work should be sufficient to raise your heart beat into the target zone shown on the graph below.



This stage should last for a minimum of 12 minutes though most people start at about 15-20 minutes

The cool down phase

This stage is to let your Cardiovascular System and muscles wind down. This is a repeat of the warm up exercise e.g. reduce your tempo, continue for approximately 5 minutes. The stretching exercises should now be repeated, again remembering not to force or jerk your muscles into the stretch. As you get fitter you may need to train longer and harder. It is advisable to train at least three times a week, and if possible space your workouts evenly throughout the week.

Muscle toning

To tone muscle while on your fitness trainer you will need to have the resistance set quite high. This will put more strain on our leg muscles and may mean you cannot train for as long as you would like. If you are also trying to improve your fitness you need to alter your training program. You should train as normal during the warm up and cool down phases, but towards the end of the exercise phase you should increase resistance making your legs work harder. You will have to reduce your speed to keep your heart rate in the target zone.

Weight loss

The important factor here is the amount of effort you put in. The harder and longer you work the more calories you will burn. Effectively this is the same as if you were training to improve your fitness, the difference is the goal.

Heart rate

Heart rate measurement (heart rate chest belt)

The most accurate heart rate measurement is achieved with a heart rate chest belt. The heart rate is measured by a heart rate receiver in combination with a heart rate transmitter belt. Accurate heart rate measurement requires that the electrodes on the transmitter belt are slightly moist and constantly touching the skin. If the electrodes are too dry or too moist, the heart rate measurement will become less

accurate.

⚠ WARNING

- If you have a pacemaker, consult a physician before using a heartrate chest belt.

⚠ CAUTION

- If there are several heart rate measurement devices next to each other, make sure that the distance between them is at least 1.5 metres.
- If there is only one heart rate receiver and several heart rate transmitters, make sure that only one person with a transmitter is within transmission range.

📌 NOTE

- Always wear the heart rate chest belt under your clothes directly in contact with your skin. Do not wear the heart rate chest belt above your clothes. If you wear the heart rate chest belt above your clothes, there will be no signal.
- If you set a heart rate limit for your workout, an alarm will sound when it is exceeded.
- The transmitter transmits the heart rate to the console up to a distance of 1 metre. If the electrodes are not moist, the heart rate will not appear on the display.
- Some fibers in clothes (e.g. polyester, polyamide) create static electricity which can prevent accurate heart rate measurement.
- Mobile phones, televisions and other electrical appliances create an electromagnetic field which can prevent accurate heart rate measurement.

Maximum heart rate (during training)

The maximum heart rate is the highest heart rate a person can safely achieve through exercise stress. The following formula is used to calculate the average maximum heart rate: $220 - \text{AGE}$. The maximum heart rate varies from person to person.

⚠ WARNING

- Make sure that you do not exceed your maximum heart rate during your workout. If you belong to a risk group, consult a physician.

Beginner

50-60% of maximum heart rate

Suitable for beginners, weight-watchers, convalescents and persons who have not exercised for a long time. Exercise at least three times a week, 30 minutes at a time.

Advanced

60-70% of maximum heart rate

Suitable for persons who want to improve and maintain fitness. Exercise at least three times a week, 30 minutes at a time.





Expert

70-80% of maximum heart rate

Suitable for the fittest of persons who are used to long-endurance workouts.

Use

How to row

	Catch Comfortably forward with straight back and arms.
	Drive Push with the legs while arms remain straight.
	Finish Pull through with arms and legs rocking slightly back on your pelvis.
	Recovery Upper body tips forward over your pelvis and move forward.
	Catch Back to the starting position and begin again.

Catch - Drive

Begin the stroke comfortably in forward position and push strongly back with your legs while keeping your arms and back straight.

Finish

Begin to pull your arms back as they pass over your knees and continue the stroke through to completion rocking slightly back over your pelvis.

Recovery - Catch

Return to the starting position and repeat.

Console (fig. D-1)



⚠ CAUTION

- Keep the console away from direct sunlight.
- Dry the surface of the console when it is covered with drops of sweat.
- Do not lean on the console.

📌 NOTE

- The console switches to standby mode when the equipment is not used for 4 minutes. If the console is in standby mode, the display shows the room temperature

Explanation Display functions

Time/ 500m

- Shows the time needed to run a 500 meter distance workout, based on the current rowing intensity.
- Range: 0 ~ 99:00 min.

SPM

- SPM is Strokes Per Minute and is showing the average Strokes per minute during workout.
- Range: 0 ~ 999 SPM.

Distance M

- Without setting the target value, distance will count up.
- When setting the target value, distance will count down from your target distance to 0 with an alarm sound or flash.
- Range: 0 ~ 99999 M. (± 100M.)

Time

- Without setting the target value, time will count up.
- When setting the target value, time will count down from your target time to 0 and alarm will sound or flash.
- Time will continue counting up if training is not stopped after goal is reached.
- Without any signal being transmitted into the monitor for 4 seconds during workout, time will STOP
- Range: 0:00 ~ 99:59.

Strokes

- Displays the number of strokes for the active workout.
- Range: 0 ~ 99999 /± 1 strokes.

Calories

- Without setting the target value, calorie will count up.
- When setting the target value, calories will count down from your target calorie to 0 with an alarm sound or flash.
- Calories will continue counting up if training is not stopped after goal is reached.
- Automatically accumulates calories burnt when exercising.
- Range: 0 ~ 9999 K.Calories.

📌 NOTE

- This data is a rough guide for comparison of different exercise sessions which cannot be used in medical treatment.

Pulse

- Current pulse will display after 6 seconds when detected by the console.
- Without any pulse signal for 6 seconds, console will display "P".
- Pulse alarm will sound when current pulse is over the target pulse.
- Range: 0-30 ~ 230 BPM

WATTS

- Display current workout watts.
- Range 0 ~ 999

Load

- Shows tension level setting, when adjusting resistance, for 3 seconds.
- Range: 1 ~ 16

Explanation of buttons

Reset

- In setting mode, press RESET key once to reset the current function figures.
- Press RESET key and hold for 2 seconds to reset all function figures

Start/ Stop

- Start or Stop (pause) workout.

Recovery

- After the console detects pulse signal, press the RECOVERY key to enter recovery mode to monitor heart rate recovery ability

Up

- Increase resistance level during workout.
- Setting selection.

Mode

- Confirm setting or selection.

Down

- Decrease resistance level during workout.
- Setting selection.

Operation

Power on

- Plug in power supply to power on computer.
- Press any key to power on the console when being in sleep mode..
- Start pedalling to power on the console when being in sleep mode.

Power off

- Without any signal being transmitted into the monitor for 4 minutes the monitor will enter SLEEP mode automatically.
- Unplug power supply to power off computer directly.

Programs

Quick start

- Press "START/ STOP" key to start your workout without any pre-set setting.
- Use "UP/ DOWN" to adjust resistant level during workout.

End your workout

- Press "START/ STOP" in workout mode to stop/ pause your workout.
To resume your workout press "START/ STOP" button in pause mode.
- Press "RESET" key to reset console. (Active training data will be lost)

Manual mode

- Use "UP/ DOWN" key to select workout program, choose MANUAL mode and press "MODE" key to enter next setting entry for manual mode program.
- Use "UP/ DOWN" key to pre-set training time, and press "MODE" to confirm the setting.
- After confirm you can set also: Calories, and Pulse limit.

NOTE

- When setting more than one goal, the training will end at first achieved goal.
 - Leave a goal blank and it will not be seen as a pre-set limit.
 - It is not possible to set a Time and Distance goal together for a training.
 - Pulse is not a training ending limit, a beep sound will be heard when exceeding the pre set PULSE limit constantly.
- Press "START/ STOP" key to start workout
 - Use "UP/ DOWN" key to adjust resistance level. Load level is shown in LOAD window.

Program (Fig. F)

- Use "UP/ DOWN" key to select PROGRAM mode, and confirm with "MODE" button.
- Use "UP/ DOWN" key to select a training program, press "MODE" to confirm.
- Use "UP/ DOWN" key to set time, press "MODE" to confirm.
- Press START/ STOP key to start workout
- Use "UP/ DOWN" key to adjust resistance level.

H.R.C. mode.

- Use "UP/ DOWN" key to select workout program, choose H.R.C., press "MODE" to confirm.
- Use "UP/ DOWN" key to set age.
- Use "UP/ DOWN" key to select 55%, 75%, 90%, TA.
 $55\% = (220 - \text{age}) \times 55\%$, $75\% = (220 - \text{age}) \times 75\%$
 $90\% = (220 - \text{age}) \times 90\%$, TA = Target (Default = 100) Use "UP/ DOWN" buttons to set target value.
 Press "MODE" to confirm.
- Use "UP/ DOWN" key to set time, press MODE to confirm.
- Press START/ STOP key to start workout
- Use RESET, to go back to main menu.

Race Mode.

- Use "UP/ DOWN" key to select workout program, choose RACE, press "MODE" to confirm.
- Use "UP/ DOWN" key to set "Strokes per minute" for the computer simulator (Range 10~95 \pm 5), press "MODE" to confirm.
- Use "UP/ DOWN" key to set finish distance (Range 100~9900 meters \pm 100), press "MODE" to confirm.
- Press "START/ STOP" button to start the race function.

NOTE

- Training will end, when PC or you (U)player has reached the end first.

User

- Use "UP/ DOWN" key to select workout program, choose User, press "MODE" to confirm.
- Use "UP/ DOWN" key to set tension level for the first profile segment. (Range 1~16), press "MODE" to confirm.
- Repeat this step for all other segments too.
- When full profile is programmed, press and hold "MODE" for 2 seconds button to confirm.
- Use "UP/ DOWN" key to set time, press MODE to confirm.
- Press START/ STOP key to start workout.
- Use RESET, to go back to main menu.

Recovery

- The RECOVERY key will only be valid if pulse is detected.
- TIME will show „0:60" (seconds) and counts down to 0.
- Computer will show F1 to F6 after the countdown to test heart rate recovery status. User can find the heart rate recovery level based on the chart below.
- Press RECOVERY key again to return to the former display.

F1	Outstanding
F2	Excellent
F3	Good
F4	Fair
F5	Below average
F6	Poor

Trouble shooting:

- If there is no signal when you pedal, please check if the cable is well connected.

NOTE

- When stop training for 4 minutes, the main screen will be off.
- If the computer displays abnormally, please re-install the transformer and try again.

Bluetooth & APP

- This console can connect with an APP on a smart device by Bluetooth (iOS & Android).
- Establish the Bluetooth connection only via the connection mode on the installed APP on your smart device.
- When the bluetooth connection between APP and console is established the console display will be dimmed.

NOTE

- Tunturi only provides the option to connect your fitness console throughout a blue tooth connection. Therefore Tunturi cannot be held responsible for damage, or malfunctioning of products other than Tunturi products.
- Check the website for extra information.

Cleaning and maintenance

The equipment does not require special maintenance. The equipment does not require recalibration when it is assembled, used and serviced according to the instructions.

WARNING

- Do not use solvents to clean the equipment.
- Clean the equipment with a soft, absorbent cloth after each use.
- Regularly check that all screws and nuts are tight.
- If necessary, lubricate the joints.
- Clean the inner surfaces of the rail if necessary so that the seat moves as smoothly and quietly as possible. If necessary, you

may improve the seat movement by adding paraffin to the surface of the rails..

Troubleshooting

Despite continuous quality control, defects and malfunctions caused by individual components may occur in the equipment. In most cases it's unnecessary to take the whole device in for repair, as it's usually sufficient to replace the defective part.

If the equipment does not function properly during use, contact your Tunturi dealer immediately. Always give the model and serial number of your equipment. Please state also the nature of the problem, conditions of use and purchase date.

If you require spare parts, always give the model, serial number of your equipment and the spare part number for the part you need. The spare part list is at the back of this manual. Use only spare parts mentioned in the spare part list.

Remote control does not work

When the remote control integrated in the handlebar does not work anymore it is probably not paired anymore.

To re-establish the connection between your handlebar control unit and your display the handlebar must be powered by battery power first prior to the rower console. Therefore:

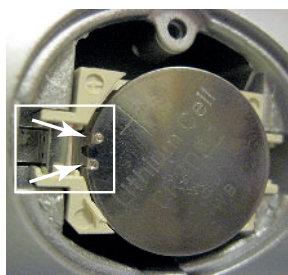
1. Unplug the rowing machine's transformer.
2. Open the battery house on the back side of the handlebar and take out the handlebar's CR2032 battery. (wait for 2 seconds)
3. Reinstall the CR2032 battery, and close it's back cover again.
4. Plug in the rowing machine's transformer, and wait at least 10 seconds (if not wait 10 sec. the procedure will fail).
5. Try if it can work, by pressing start key on display and use UP/ Down keys on remote to see if this can adjust the tension level.

This should re-establish the connection again.

When the remote control integrated in the hand grip bar does not work still, it is most likely that the battery in the hand grip bar ran out of power. Replace the CR2032 cell battery for a new one.

NOTE

- When installing the CR2032 battery, make sure you insert it correctly to avoid the polarity of the battery is incorrect.
- Make sure the metal hook is over the battery as shown in the picture.
- Polarity: - face down & + face Up



Squeaking rollers

- When sliding wheels are making noise during sliding movement, apply 2cc. of lubricant on each protruding rail surface immediately.

CAUTION

- We recommend to use a silicon based lubricant.
- Do not apply too much lubricant or wipe off redundant lubricant with a clean cloth as too much lubricant can cause carpet stain or dirt particle.

Transport and storage

WARNING

- Carry and move the equipment with at least two persons.
- Remain standing in front of the equipment on each side and take a sturdy grip at the handlebars. Tilt the front of the equipment so as to lift the rear of the equipment on the wheels. Move the equipment and carefully put the equipment down. Place the equipment on a protective base to prevent damage to the floor surface.
- Move the equipment carefully over uneven surfaces. Do not move the equipment upstairs using the wheels, but carry the equipment by the handlebars.
- Store the equipment in a dry place with as little temperature variation as possible.

Folding

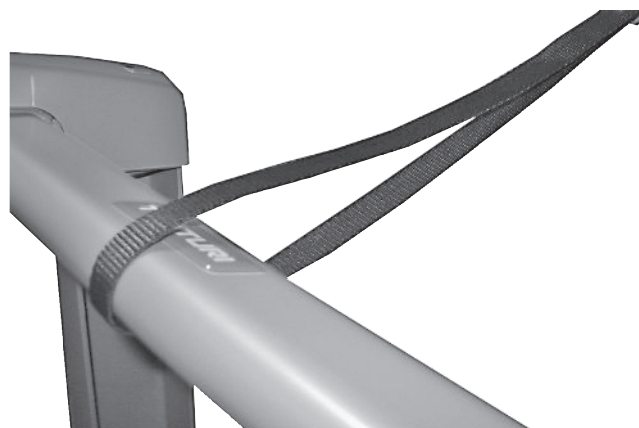
- Loosen the locking pin under the front frame, press the front frame downward slightly and pull the locking pin upward.
- Open the latch on the left hand side by pressing the tab to the side. Lift the front frame up at the same time.



- Lower the front frame carefully in between the rails. Ensure that the front frame is locked.
- Grasp the cross bar at the back of the rowing machine and lift the device to an upright position so that it is supported by the front end support legs.

NOTE

- Store the rowing machine in the storage position against a wall in such a way that the front frame cannot fall on anyone by accident.



CAUTION

- The device is shipped with a loop and a hook for securing the rowing machine properly in the storage position.

Choose an appropriate storage site for your rowing machine next to a wall and attach the hook tightly to the wall at the right height. Lift the rowing machine to the storage position in front of the hook. Thread the loop provided with the rowing machine around the cross bar and attach the loop to the hook. Do not climb on the rowing machine when it is in storage position!

Additional information

Packaging disposal

Government guidelines ask that we reduce the amount of waste material disposed of in land fill sites. We therefore ask that you dispose of all packaging waste responsibly at public recycling centres.

End of life disposal

We at Tunturi hope you enjoy many years of enjoyable use from your fitness trainer. However, a time will come when your fitness trainer will come to the end of its useful life. Under 'European WEEE Legislation you are responsible for the appropriate disposal of your fitness trainer to a recognised public collection facility.

Technical data

Parameter	Unit of measurement	Value
Telemetric heart rate receiver	handgrip contact 5.3~ 5.4 KHz. Bluetooth (BLE) ANT+	<input checked="" type="checkbox"/> <input checked="" type="checkbox"/> <input checked="" type="checkbox"/> <input checked="" type="checkbox"/>
Length	cm inch	197 77,6
Width	cm inch	50 19.7
Height	cm inch	66 26
Weight	kg lbs	46.4 102.3
Max. user weight	kg lbs	135 300
Adapter Voltage Current	V Ma.	9V-DC 1,5 A.

Warranty

Warranty terms

The consumer is entitled to the applicable legal rights stated in the national legislation concerning the commerce of consumer goods. This warranty does not restrict these rights. The Purchaser's Warranty is only valid if the item is used in an environment approved by Tunturi New Fitness BV for that particular equipment. The product-specific approved environment is stated in the Owner's Manual provided with your equipment.

Warranty conditions

The warranty conditions commence from the date of purchase. Warranty conditions may vary per country, so please consult your local dealer for the warranty conditions.

Warranty coverage

Under no circumstances shall Tunturi New Fitness BV or the Tunturi Distributor be liable by virtue of this warranty or otherwise for any special, indirect, secondary or consequential damages of any nature arising out of any use or inability to use this equipment.

Warranty limitations

This warranty covers manufacturing defects in the fitness equipment as originally packed by Tunturi New Fitness BV. The warranty shall apply only under conditions of normal, recommended use of the product as described in the Owner's Manual and providing that Tunturi New Fitness BV's instructions for installation, maintenance and use have been complied with. Neither Tunturi New Fitness BV's nor the Tunturi Distributors' obligations apply to defects due to reasons beyond their control. The warranty applies only to the original purchaser and is valid only in countries where Tunturi New Fitness BV has an authorised importer. The warranty does not extend to fitness equipment or components that have been modified without the consent of Tunturi New Fitness BV. Defects resulting from normal wear, misuse, abuse, corrosion, or damage incurred during loading or transportation are not covered.

The warranty does not cover sounds or noises emitted during use where these do not substantially impede the use of the equipment and where they are not caused by a fault in the equipment. The warranty does not cover defects arising from the failure to carry periodic maintenance as outlined within the Owner's Manual for the product. Furthermore, the warranty does not cover defects arising from usage and storage within an unsuitable environment as described within the Owner's Manual which should be indoors, dry, dust and grit free and within a temperature range of +15°C to +35°C. The warranty does not cover maintenance activities, such as cleaning, lubricating, and normal part adjustments, nor installation procedures that customers can accomplish themselves, such as changing uncomplicated meters, pedals and other similar parts not requiring any dismantling/reassembling of the fitness equipment. Warranty repairs carried out by other than authorised Tunturi representatives are not covered. Failure to follow the instructions given in the Owner's Manual will invalidate the product's warranty.

Declaration of the manufacturer

Tunturi New Fitness BV declares that the product is in conformity with the following standards and directives: EN 957 (HB), 2014/30/EU. The product therefore carries the CE label.

07-2020

Tunturi New Fitness BV
Purmerweg 1
1311 XE Almere
The Netherlands

Disclaimer

© 2020 Tunturi New Fitness BV
All rights reserved.

- The product and the manual are subject to change.
- Specifications can be changed without further notice.
- Check our website for the latest user manual version.

Deutsch

Diese deutsche Bedienungsanleitung ist eine Übersetzung des englischen Textes. Es können keine Rechte auf diese Übersetzung abgeleitet werden.

Index

Rudergerät	16
Warnhinweise zur Sicherheit	16
Elektrische Sicherheit	17
Montageanleitungen	17
Beschreibung	17
Zusammenbau (Abb. B)	17
Stromzufuhr (Abb. C)	17
Bereiten Sie die Handgriffsteuerung vor (fig. E)	17
Trainings	17
Trainingsanleitung	17
Herzfrequenz	18
Gebrauch	19
Richtig Rudern	19
Konsole (Abb. D-1)	19
Erläuterung der Anzeigefunktionen	19
Erläuterung der Schalter	20
Bedienung	20
Programme	20
Bluetooth & APP	21
Reinigung und Wartung	21
Betriebsstörungen	21
Fernbedienung funktioniert nicht	22
Quietschende Rollen	22
Transport und Lagerung	22
Zusätzliche Informationen	23
Technische Daten	23
Garantie	23
Herstellererklärung	23
Haftungsausschluss	23

Rudergerät

Willkommen in der Welt von Tunturi!

Danke, dass Sie dieses Gerät von Tunturi erworben haben. Tunturi bietet eine breite Palette an Heim-Fitnessgeräten wie beispielsweise Crosstrainer, Laufbänder, Trainingsfahrräder und Rudergeräte an. Die Tunturi Geräte sind für die ganze Familie geeignet - ganz egal, wie fit man ist. Weitere Informationen finden Sie auf unserer Website unter www.tunturi.com

Wichtige Sicherheitshinweise

Dieses Handbuch ist ein wesentlicher Bestandteil Ihres Trainingsgerätes. Lesen Sie es bitte sorgfältig durch, bevor Sie Ihr Trainingsgerät montieren, mit ihm trainieren oder es warten. Bitte bewahren Sie dieses Handbuch auf; es wird Sie jetzt und zukünftig darüber informieren, wie Sie Ihr Gerät benutzen und warten. Befolgen Sie diese Anweisungen immer sorgfältig.

Warnhinweise zur Sicherheit

⚠️ WARNUNG

- Lesen Sie die Warnhinweise zur Sicherheit und die Anweisungen. Werden die Warnhinweise zur Sicherheit und die Anweisungen nicht befolgt, kann dies zu Personenverletzungen und Schäden am Gerät führen. Bewahren Sie die Warnhinweise zur Sicherheit und die Anweisungen zur künftigen Bezugnahme auf.

⚠️ WARNUNG

- Herzfrequenz-Überwachungssysteme können ungenau sein.
- Eine Überanstrengung kann zu schweren Schädigungen oder zum Tod führen. Wenn Sie sich schwach oder ohnmächtig fühlen, stellen Sie die Übungen unverzüglich ein.

- Das Gerät ist nur für den Hausgebrauch geeignet. Das Gerät ist nicht für den gewerblichen Gebrauch geeignet.
- Die maximale Verwendung ist auf 5 Stunden pro Tag beschränkt.
- Wenn dieses Gerät von Kindern oder Personen mit körperlicher, sensorischer, geistiger oder motorischer Behinderung verwendet wird, oder wenn nicht genügend Erfahrung und Kenntnisse vorhanden sind, kann dies zu Gefahrensituationen führen. Personen, die für deren Sicherheit verantwortlich sind, müssen klare Anweisungen geben oder den Gebrauch des Geräts beaufsichtigen.
- Bevor Sie Ihr Training starten, nehmen Sie Kontakt mit einem Arzt auf, um Ihre Gesundheit kontrollieren zu lassen.
- Falls Sie Übelkeit, ein Schwindelgefühl oder andere anormale Symptome verspüren, hören Sie unverzüglich mit Ihrem Training auf und wenden Sie sich an einen Arzt.
- Um einen Muskelkater zu vermeiden, starten Sie jedes Training mit Aufwärmen und beenden Sie es mit Abkühlen. Denken Sie daran, sich am Ende des Trainings zu dehnen.
- Das Gerät ist nur für den Gebrauch in geschlossenen Räumen geeignet. Das Gerät ist nicht für den Gebrauch im Freien geeignet.
- Verwenden Sie das Gerät nur in Umgebungen mit ausreichender Belüftung. Verwenden Sie das Gerät nicht in zugiger Umgebung, damit Sie sich nicht erkälten.
- Verwenden Sie das Gerät nur in Umgebungen mit Umgebungstemperaturen zwischen 10 °C und 35 °C. Lagern Sie das Gerät nur in Umgebungen mit einer Umgebungstemperatur zwischen 5 °C und 45 °C.
- Verwenden und lagern Sie das Gerät nicht in feuchten Umgebungen. Die Luftfeuchtigkeit darf niemals 80% überschreiten.
- Verwenden Sie das Gerät nur bestimmungsgemäß. Verwenden Sie das Gerät nicht für einen anderen als für den in diesem Handbuch beschriebenen Zweck.
- Verwenden Sie das Gerät nicht, falls Teile beschädigt oder defekt sind. Ist ein Teil beschädigt oder defekt, wenden Sie sich an Ihren Händler.
- Halten Sie Ihre Hände, Füße und andere Körperteile von den beweglichen Teilen fern.
- Halten Sie Ihr Haar von den beweglichen Teilen fern.
- Tragen Sie entsprechende Kleidung und Schuhe.
- Halten Sie Kleidung, Schmuck und andere Gegenstände von den beweglichen Teilen fern.
- Vergewissern Sie sich, dass das Gerät nur von einer Person auf einmal verwendet wird. Das Gerät darf nicht von Personen verwendet werden, deren Gewicht 135 kg (300 lbs) überschreitet.
- Öffnen Sie das Gerät nicht, ohne vorher mit Ihrem Händler zu sprechen.

Elektrische Sicherheit

(Betrifft nur elektrisch betriebene Geräte)

- Vergewissern Sie sich vor der Verwendung stets, dass die Netzspannung mit der Spannung auf dem Typenschild des Geräts übereinstimmt.
- Verwenden Sie kein Verlängerungskabel.
- Halten Sie das Netzkabel von Hitze, Öl und scharfen Kanten fern.
- Verändern Sie nichts am Netzkabel oder am Netzstecker.
- Verwenden Sie das Gerät nicht, falls das Netzkabel oder der Netzstecker beschädigt oder defekt ist. Ist das Netzkabel oder der Netzstecker beschädigt oder defekt, wenden Sie sich an Ihren Händler.
- Wickeln Sie das Netzkabel immer vollständig ab.
- Lassen Sie das Netzkabel nicht unter dem Gerät entlanglaufen. Lassen Sie das Netzkabel nicht unter einem Teppich entlanglaufen. Stellen Sie keine Gegenstände auf das Netzkabel.
- Vergewissern Sie sich, dass das Netzkabel nicht über der Kante eines Tisches hängt. Vergewissern Sie sich, dass niemand versehentlich über das Netzkabel stolpert.
- Lassen Sie das Gerät nicht unbeaufsichtigt, wenn der Netzstecker in die Wandsteckdose eingesteckt ist.
- Ziehen Sie nicht am Netzkabel, um den Netzstecker aus der Wandsteckdose zu ziehen.
- Ziehen Sie den Netzstecker aus der Wandsteckdose, wenn das Gerät nicht verwendet wird, bevor es zusammengebaut oder zerlegt wird sowie vor der Reinigung und Wartung.

Montageanleitungen

Beschreibung

Ihr Rudergerät ist ein ortsgebundenes Fitnessgerät, das zur Simulation des Ruderns erwendet wird, ohne dabei einen übermäßigen Druck auf die Gelenke auszuüben.

Zusammenbau (Abb. B)

⚠️ WARNUNG

- Fehlt ein Teil, wenden Sie sich an Ihren Händler.
- Tragen und bewegen Sie das Gerät mit mindestens zwei Personen.

⚠️ VORSICHT

- Stellen Sie das Gerät auf festen, ebenen Boden.
 - Stellen Sie das Gerät auf eine schützende Unterlage, um Schäden am Bodenbelag zu vermeiden.
 - Sorgen Sie rund um das Gerät für einen Freiraum von mindestens 100 cm.
- Das Rudergerät wird transportgesichert geliefert. Ziehen Sie den über den Rahmen geklappten Vorderrahmen nach oben und nach vorne.
 - Ziehen Sie den Sicherungsstift hoch und drücken Sie den Vorderrahmen gleichzeitig bei der Seilzugabdeckung nach unten.
 - Lassen Sie den Sicherungsstift los und vergewissern Sie sich, dass der Vorderrahmen vorwärts gerichtet eingerastet ist.
 - Befestigen Sie stets den Sicherungsstift bevor Sie mit dem Training beginnen.

Stellen Sie das Cockpit so ein, dass es einen für das Training geeigneten Winkel aufweist.

Stromzufuhr (Abb C)

Das Trainingsgerät wird über eine externe Stromversorgung mit Strom versorgt.

⚠️ HINWEIS

- Befestigen Sie den Transformator am Trainer bevor Sie diese in der Steckdose stecken.
- Entfernen sie immer das Netzkabel wenn der Trainer nicht benutzt wird.

Bereiten Sie die Handgriffsteuerung vor (fig. E)

Um ein Entladen der Batterie während des Transports und der Lagerung zu vermeiden, haben wir einen Batterieisolationstreifen in der Handgriffsteuereinheit angebracht.

Dies muss in einer vorsichtigen und dennoch gleichmäßigen Bewegung herausgezogen werden, bevor die Handgriffsteuerung verwendet werden kann.

Trainings

Das Training muss leicht und geeignet, aber von langer Dauer sein. Aerobic-Übungen basieren auf der Verbesserung der maximalen Sauerstoffaufnahme des Körpers, was wiederum die Ausdauer und Fitness verbessert. Sie sollten während des Trainings zwar ins Schwitzen, aber nicht außer Atem kommen.

Um eine Basisfitness zu erreichen und zu halten, üben Sie mindestens drei mal pro Woche 30 Minuten lang an einem Stück. Erhöhen Sie die Anzahl der Übungssitzungen, um Ihre Fitness zu verbessern. Es lohnt sich, die regelmäßigen Übungen mit einer gesunden Diät zu kombinieren. Personen, die Diät machen, sollten täglich zuerst 30 Minuten oder weniger an einem Stück üben und die tägliche Trainingszeit allmählich auf eine Stunde verlängern. Beginnen Sie Ihr Training mit niedriger Geschwindigkeit und geringem Widerstand, um zu vermeiden, dass das Herzkreislaufsystem einer übermäßigen Belastung ausgesetzt wird. Mit sich verbessernder Fitness können Geschwindigkeit und Widerstand allmählich erhöht werden. Die Wirksamkeit Ihrer Übungen kann durch Überwachung der Herzfrequenz und Ihrer Pulsfrequenz gemessen werden.

Trainingsanleitung

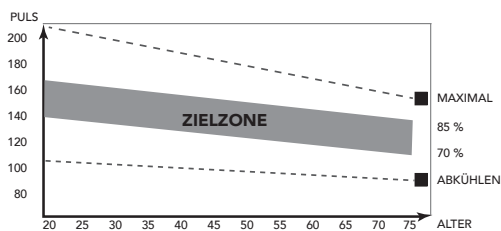
Die Verwendung des Fitnesstrainers wird Ihnen viele Vorteile bieten: Er verbessert Ihre körperliche Fitness, formt die Muskeln und hilft Ihnen, in Verbindung mit einer kalorienreduzierten Diät, Gewicht zu verlieren.

Die Aufwärm-Phase

Der Blutkreislauf wird angeregt und die Muskelfunktionen werden unterstützt. Außerdem wird das Risiko von Krämpfen und Muskelverletzungen gesenkt. Sie sollten, wie unten angezeigt, einige Dehnungsübungen machen. Sie sollten weder die Dehnungsbewegung erzwingen noch die Muskeln dabei ruckweise bewegen - wenn Sie Schmerzen haben, sollten Sie AUFHÖREN.

Die Trainings-Phase

In dieser Phase strengen Sie sich an. Nach regelmäßiger Verwendung werden die Muskeln in Ihren Beinen beweglicher. In dieser Phase ist es sehr wichtig, immer ein gleichmäßiges Tempo beizubehalten. Die Anstrengung sollte ausreichen, um Ihren Herzschlag bis in die Zielzone zu erhöhen, die im folgenden Diagramm dargestellt ist.



Diese Phase sollte mindestens 12 Minuten dauern; die meisten Menschen beginnen mit ca. 15 bis 20 Minuten.

Die Abkühlungs-Phase

Sie dient der Entspannung Ihres Herz-Kreislaufsystems und Ihrer Muskeln. Dabei werden die Aufwärmübungen wiederholt, reduzieren Sie zum Beispiel Ihr Tempo und machen Sie ca. 5 Minuten weiter. Jetzt sollten die Dehnübungen wiederholt werden. Denken Sie wiederum daran, weder die Dehnungsbewegung zu erzwingen noch die Muskeln dabei ruckweise zu bewegen.

Wenn Sie fitter werden, kann es sein, dass Sie länger und härter trainieren müssen. Sie sollten mindestens drei Mal die Woche trainieren und, falls möglich, Ihre Trainingseinheiten gleichmäßig über die Woche verteilen.

Muskelformung

Um Ihre Muskeln beim Training auf dem Fitnesstrainer zu formen, müssen Sie den Widerstand ziemlich hoch einstellen. Dadurch werden die Beinmuskeln mehr angestrengt und Sie können möglicherweise nicht so lange trainieren, wie Sie möchten. Wenn Sie außerdem Ihre Fitness verbessern möchten, müssen Sie Ihr Trainingsprogramm ändern. Sie sollten in den Aufwärm- und Abkühlphasen normal trainieren, jedoch gegen Ende der Trainingsphase den Widerstand erhöhen, damit Ihre Beine härter arbeiten müssen. Sie müssen die Geschwindigkeit verringern, damit Ihre Herzfrequenz in der Zielzone bleibt.

Gewichtsabnahme

Der wichtige Faktor ist, wie sehr Sie sich anstrengen. Je härter und je länger Sie trainieren, desto mehr Kalorien verbrennen Sie. Dies ist im Grunde dasselbe, wie wenn zur Verbesserung Ihrer Fitness trainieren, nur das Ziel ist ein anderes.

Herzfrequenz

Herzfrequenzmessung (Herzfrequenz-Brustgürtel)

Die genaueste Herzfrequenzmessung lässt sich mit einem Herzfrequenz-Brustgürtel erzielen. Die Herzfrequenz wird mit einem Herzfrequenzempfänger in Kombination mit einem Herzfrequenz-Sendegürtel gemessen. Für eine genaue Herzfrequenzmessung ist es erforderlich, dass die Elektroden am Sender etwas feucht sind und die Haut konstant berühren. Sind die Elektroden zu trocken oder zu feucht, wird die Herzfrequenzmessung weniger genau.

⚠️ WARNUNG

- Falls Sie einen Schrittmacher haben, wenden Sie sich zunächst an einen Arzt, bevor Sie einen Herzfrequenz-Brustgürtel verwenden.

⚠️ VORSICHT

- Falls sich mehrere Herzfrequenz-Messgeräte in gegenseitiger Nähe befinden, vergewissern Sie sich, dass der Abstand zwischen ihnen mindestens 1,5 Meter beträgt.
- Falls nur ein Herzfrequenzempfänger und mehrere Herzfrequenzsender vorhanden sind, vergewissern Sie sich, dass nur eine Person mit einem Sender in Sendereichweite ist.

📌 HINWEIS

- Tragen Sie den Herzfrequenz-Brustgürtel stets mit direktem Hautkontakt unter Ihrer Kleidung. Tragen Sie den Herzfrequenz-Brustgürtel nicht auf Ihrer Kleidung. Falls Sie den Herzfrequenz-Brustgürtel auf Ihrer Kleidung tragen, gibt es kein Signal.
- Wenn Sie sich einen Herzfrequenz-Grenzwert für Ihr Training setzen, ertönt beim Überschreiten ein Signal.
- Der Sender überträgt die Herzfrequenz in einem Abstand bis zu 1 Meter zur Konsole. Sind die Elektroden nicht feucht, erscheint die Herzfrequenz nicht auf der Anzeige.
- Einige Fasern in der Kleidung (z.B. Polyester, Polyamid) erzeugen statische Elektrizität, die eine genaue Herzfrequenzmessung verhindern kann.
- Mobiltelefone, Fernsehgeräte und andere Elektrogeräte erzeugen ein elektromagnetisches Feld, das eine genaue Herzfrequenzmessung verhindern kann.

Maximale Herzfrequenz (während des Trainings)

Die maximale Herzfrequenz ist die höchste Herzfrequenz, die eine Person durch Übungsbelastung sicher erzielen kann. Folgende Formel wird zur Berechnung der durchschnittlichen maximalen Herzfrequenz verwendet: $220 - \text{ALTER}$.

Die maximale Herzfrequenz variiert von Person zu Person.

⚠️ WARNUNG

- Stellen Sie sicher, dass Sie während des Trainings Ihre maximale Herzfrequenz nicht überschreiten. Falls Sie einer Risikogruppe angehören, wenden Sie sich an einen Arzt.

Anfänger

50-60% der maximalen Herzfrequenz

Geeignet für Anfänger, Gewicht- Beobachter, Genesende und Personen, die schon lange nicht mehr trainiert haben. Trainieren Sie mindestens dreimal pro Woche 30 Minuten an einem Stück.

Fortgeschritten

60-70% der maximalen Herzfrequenz

Geeignet für Personen, die ihre Fitness verbessern und halten wollen. Trainieren Sie mindestens dreimal pro Woche 30 Minuten an einem Stück.

Experte

70-80% der maximalen Herzfrequenz

Geeignet für die fittesten Personen, die sich an lange Ausdauertrainings gewöhnt haben.

Gebrauch

Richtig Rudern

	<p>Vorlage Angenehm nach vorne mit gestreckte Arme und Rücken.</p>
	<p>Durchzug Drücke mit den Beinen nach hinten während die Arme gestreckt bleiben.</p>
	<p>Rücklage Ziehe mit den Armen und Beinen durch bis Sie leicht nach hinten lehnen.</p>
	<p>Vorziehen Oberkörper nach vorne lehnen und Körper nach vorne bewegen.</p>
	<p>Vorlage Gehen Sie zurück in die Ausgangsposition und wiederholen Sie den Vorga.</p>

Vorlage - Durchzug

Beginnen Sie mit angenehm nach vorne gestreckten Armen und Rücken. Drücken Sie die beine nach hinten, die Arme und der Rücken bleiben gestreckt.

Rücklage

Ziehe die Arme zurück sobald diese über die Knie sind und ziehe diese durch bis Sie leicht nach hinten lehnen.

Vorlage

Gehe zurück zur Ausgangsposition und wiederholen Sie den Vorgang.

Konsole (Abb D-1)



⚠ VORSICHT

- Halten Sie die Konsole von direkter Sonneneinstrahlung fern.
- Trocknen Sie die Oberfläche der Konsole, wenn Sie mit Schweißtropfen bedeckt ist.
- Lehnen Sie sich nicht auf die Konsole.
- Berühren Sie die Anzeige nur mit Ihrer Fingerspitze. Vergewissern Sie sich, dass Ihre Nägel oder andere scharfe Gegenstände die Anzeige nicht berühren.

🔊 HINWEIS

- Die Konsole schaltet in den Standby-Modus, wenn das Gerät 4 Minuten lang nicht verwendet wird.

Erläuterung der Anzeigefunktionen

Time/ 500m

- Zeigt die benötigte Zeit für einen Trainingslauf von 500 m basierend auf der aktuellen Ruderintensität an.
- Bereich: 0 ~ 99:00 min.

SPM

- SPM sind Strokes pro Minute. Hier wird während des Trainings der Strokes pro Minute-Mittelwert angezeigt.
- Bereich: 0 ~ 999 SPM.

Distance M

- Ohne Einstellung des Sollwerts wird die Distanz summiert.
- Wenn ein Sollwert eingestellt ist, wird die Distanz vom Zielwert aus auf 0 herabgezählt. Bei 0 ertönt ein Alarm oder erscheint ein Blinklicht.
- Summiert automatisch die Trainingsstrecke.
- Bereich: 0 ~ 99999 M. (± 100M.).

Time

- Ohne Einstellung des Sollwerts wird die Zeit summiert.
- Wenn ein Sollwert eingestellt ist, wird die Zeit vom Zielwert aus auf 0 herabgezählt. Bei 0 ertönt ein Alarm oder erscheint ein Blinklicht.
- Wenn vier Sekunden lang ohne Training kein Signal auf den Monitor übertragen wird, wird die Zeit auf STOP geschaltet
- Bereich: 0:00 ~ 99:59.

Strokes

- Zeigt die Anzahl der Striche für das aktive Training an.
- Bereich: 0 ~ 99999 /± 1 Striche.

Calories (Kalorien)

- Ohne Einstellung des Sollwerts werden die Kalorien summiert.
- Wenn ein Sollwert eingestellt ist, werden die Kalorien vom Zielwert aus auf 0 herabgezählt. Bei 0 ertönt ein Alarm oder erscheint ein Blinklicht.
Die Kalorien werden wieder summiert, wenn das Training nach Erreichen des Ziels fortgesetzt wird.
- Summiert automatisch die während des Trainings verbrannten Kalorien.
- Bereich: 0 ~ 9999 K.Calories.

HINWEIS

- Diese Daten sind ein grober Anhaltspunkt für den Vergleich verschiedener Trainingssitzungen. Sie können jedoch nicht für eine medizinische Behandlung verwendet werden.

WATTS

- Aktuelle Trainings-Watt werden angezeigt.
- Bereich 0 ~ 999

Pulse

- Aktueller Puls wird nach sechs Sekunden angezeigt, wenn dieser von der Konsole erkannt wird.
- Wenn sechs Sekunden lang kein Puls-Signal vorhanden ist, zeigt die Konsole „P“ an.
- Der Pulsalarm ertönt, wenn der aktuelle Puls über dem Sollpuls liegt.
- Bereich: 0-30 ~ 230 BPM.

Load

- Zeigt die Einstellung des Spannungspegels für den Widerstand 3 Sekunden lang an.
- Bereich: 1 ~ 16

Erläuterung der Schalter

Reset

- Drücken Sie im Einstellungsmodus einmal auf die Taste RESET, um die aktuellen Funktions-Darstellungen zurückzusetzen.
- Drücken Sie auf die RESET-Taste und halten Sie sie zwei Sekunden lang gedrückt, um alle Funktions-Darstellungen zurückzusetzen.

Start/ Stop

- Trainingsstart bzw. -stopp (pause).

Recovery

- Wenn die Konsole ein Impulssignal erkennt, drücken Sie auf die Taste RECOVERY, um den Recovery-Modus zu öffnen und die Herzfrequenz-Recovery-Fähigkeit zu überwachen.

Up

- Widerstand erhöhen.
- Einstellwert erhöhen.

Mode

- Einstellung oder Auswahl bestätigen.

Down

- Den Widerstandswert verringern.
- Einstellwert verringern

Bedienung

Einschalten

- Stecken Sie das Netzteil ein, um den Computer einzuschalten.
- Drücken Sie auf eine beliebige Taste, wenn sich die Konsole im Ruhemodus befindet.
- Treten Sie in die Pedale, wenn sich die Konsole im Ruhemodus befindet.

Ausschalten

- Wenn vier Sekunden lang ohne Training kein Signal auf den Monitor übertragen wird, wird dieser automatisch in den Ruhemodus geschaltet (SLEEP).
- Ziehen Sie die Stromversorgung ab, um den Computer direkt auszuschalten.

Programme

Quick start (Schnellstart)

- Drücken Sie auf „START/STOP“, um Ihr Training ohne Voreinstellungen zu beginnen.
- Stellen Sie den Widerstandslevel beim Training mit „UP/DOWN“ ein.

Training beenden

- Drücken Sie im Trainingsmodus auf „START/STOP“, um das Training zu beenden/anzuhalten.
Um das Training wieder aufzunehmen, drücken Sie im Pausenmodus auf die Taste „START/STOP“.
- Drücken Sie zum Zurücksetzen der Konsole auf die Taste „RESET“. (Aktive Trainingsdaten gehen verloren)

Manueller Modus

- Wählen Sie das Trainingsprogramm mit der Taste „UP/DOWN“ aus. Wählen Sie den Modus „MANUAL“ und drücken Sie auf die Taste „MODE“, um die nächste Einstellung für das Programm Manueller Modus vorzunehmen.
- Stellen Sie die Trainingszeit mit der Taste „UP/DOWN“ ein und drücken Sie dann zur Bestätigung auf „MODE“.
- Nach dem Bestätigen können Sie auch Folgendes einstellen: Grenzwerte für Kalorien und Puls.

HINWEIS

- Wenn Sie mehr als ein Ziel einstellen, wird das Training nach Erreichen des ersten Ziels beendet.
 - Wenn Sie ein Ziel leer lassen, wird es nicht als voreingestellter Zielwert betrachtet.
 - Puls ist kein Grenzwert zum Beenden des Trainings. Ein Piepton ist zu hören, wenn der voreingestellte Grenzwert für den PULS dauerhaft überschritten wird.
- Drücken Sie auf die Taste „START/STOP“-Taste, um mit dem Training zu beginnen
 - Drücken Sie auf die Taste „UP/DOWN“, um den Widerstandslevel einzustellen. Das geladene Level wird im Fenster „LOAD“ angezeigt.

Programm (Abb. F)

- Wählen Sie den Modus PROGRAM mit der Taste UP/DOWN“ und bestätigen Sie Ihre Auswahl mit der Taste „MODE“.
- Wählen Sie mit der Taste „UP/DOWN“ ein Trainingsprogramm aus und bestätigen Sie die Auswahl mit der Taste „MODE“.
- Verwenden Sie die Taste „UP/DOWN“, um die Zeit einzustellen, drücken Sie zur Bestätigung auf „MODE“.

- Drücken Sie auf die Taste „START/STOP“, um mit dem Training zu beginnen
- Drücken Sie auf die Taste „UP/DOWN“, um den Widerstandslevel einzustellen.

Der Modus H.R.C.

- Wählen Sie als Trainingsprogramm mit der Taste „UP/DOWN“ die Option H.R.C. aus. Drücken Sie zur Bestätigung auf „MODE“.
- Legen Sie das Alter mit der Taste „UP/DOWN“ fest.
- Wählen Sie mit der Taste „UP/DOWN“ die Einstellungen 55%, 75%, 90% oder TA aus.
 $55\% = (220 - \text{Alter}) \times 55\%$, $75\% = (220 - \text{Alter}) \times 75\%$
 $90\% = (220 - \text{Alter}) \times 90\%$, TA= Ziel (Standard =100). Legen Sie den Zielwert mit den Tasten „UP/DOWN“ fest.
 Drücken Sie zur Bestätigung auf „MODE“.
- Stellen Sie die Zeit mit der Taste „UP/DOWN“ ein. Drücken Sie zur Bestätigung auf „MODE“.
- Drücken Sie auf die Taste „START/STOP“, um mit dem Training zu beginnen
- Mit „RESET“ gelangen Sie zurück zum Hauptmenü.

Wettkampfmodus

- Wählen Sie das Trainingsprogramm mit der Taste „UP/DOWN“ aus. Drücken Sie zur Bestätigung auf „MODE“.
- Stellen Sie die „Strokes per minute“ (Herzschläge pro Minute) für den Computersimulator (Bereich 10~95 ±5) mit der Taste „UP/DOWN“ ein. Drücken Sie zur Bestätigung auf „MODE“.
- Legen Sie die Entfernung bis zum Finish (Bereich 100~9900 Meter ±100) mit der Taste „UP/DOWN“ fest. Drücken Sie zur Bestätigung auf „MODE“.
- Starten Sie den Wettkampfmodus mit der Taste „START/STOP“.

HINWEIS

- Das Training endet, wenn entweder der PC oder Sie als Spieler zuerst das Ziel erreichen.

Benutzer

- Wählen Sie das Trainingsprogramm mit der Taste „UP/DOWN“ aus. Drücken Sie zur Bestätigung des Benutzers auf „MODE“.
- Legen Sie die Spannungsstufe für das erste Profsegment. (Bereich 1~16) mit der Taste „UP/DOWN“ fest. Bestätigen Sie durch Drücken auf die Taste „MODE“.
- Wiederholen Sie diesen Schritt auch für alle anderen Segmente.
- Wenn das vollständige Profil einprogrammiert ist, drücken Sie zur Bestätigung die Taste „MODE“ und halten diese 2 Sekunden lang gedrückt.
- Stellen Sie die Zeit mit der Taste „UP/DOWN“ ein. Drücken Sie zur Bestätigung auf „MODE“.
- Drücken Sie auf die Taste „START/STOP“, um mit dem Training zu beginnen.
- Mit „RESET“ gelangen Sie zurück zum Hauptmenü.

Recovery

- Die Taste RECOVERY ist nur aktiv, wenn ein Puls erkannt wurde.
- TIME zeigt „0:60“ (Sekunden) an und wird auf „0“ herabgezählt. (Abb. F-19)
- Der Computer zeigt nach dem Countdown zum Testen den Herzfrequenz-Recovery-Status F1 bis F6 (Abb. F20) an. Die Herzfrequenz-Recovery-Stufe kann auf Grundlage folgender Tabelle ermittelt werden.
- Drücken Sie erneut auf die Taste RECOVERY, um zum Anfang zurückzukehren.

F1	Herausragend
F2	Hervorragend
F3	Gut
F4	Ausreichend
F5	Unterdurchschnittlich
F6	Schlecht

Fehlersuche:

- Wenn Sie in die Pedale treten und kein Signal erfolgt, überprüfen Sie bitte, ob das Kabel richtig angeschlossen ist.

HINWEIS

- Der Hauptbildschirm wird vier Minuten nach einem Trainingstopp ausgeschaltet.
- Wenn der Computer ungewöhnliche Dinge anzeigt, trennen Sie bitte die Spannungsversorgung fünf Sekunden lang, bevor Sie sie für einen vollständigen Neustart wieder anschließen

Bluetooth & APP

- Diese Konsole kann über Bluetooth eine Verbindung mit ein APP auf dem Smart-Gerät herstellen. (iOS & Android)
- Erstellen Sie die Bluetooth-Verbindung nur über den Verbindungsmodus auf die installierte APP auf ihr Smartphone oder Tablet
- Wenn die Konsole mit dem Smart-Gerät über Bluetooth verbunden ist, wird die Konsole ausgeschaltet.

HINWEIS

- Tunturi bietet nur die Option an, die Fitness-Konsole über eine Bluetooth-Verbindung anzuschließen. Daher ist Tunturi nicht für Schäden oder Fehlfunktionen von Produkten verantwortlich, die nicht von Tunturi sind.
- Überprüfen Sie die Website für zusätzliche Informationen

Reinigung und Wartung

Das Gerät bedarf keiner besonderen Wartung. Das Gerät muss nicht neu kalibriert werden, wenn es gemäß den Anweisungen zusammengebaut, verwendet und gewartet wird.

WARNUNG

- Entfernen Sie vor der Reinigung und Wartung den Adapter.
- Verwenden Sie zur Reinigung des Geräts keine Lösungsmittel.
- Reinigen Sie das Gerät nach dem Gebrauch mit einem weichen aufnahmefähigen Lappen.
- Prüfen Sie regelmäßig, ob alle Schrauben und Muttern fest sind.
- Schmieren Sie die Gelenke, falls erforderlich.
- Reinigen Sie, falls erforderlich, die Innenseiten der Schiene, sodass sich der Sattel so leicht und leise wie möglich bewegt. Sie können ggf. die Sattelbewegung verbessern, indem Sie auf die Oberflächen der Schienen Paraffin auftragen.

Betriebs- störungen

Trotz kontinuierlicher Qualitätsüberwachung können vereinzelt an den Geräten durch einzelne Komponenten verursachte Funktionsstörungen auftreten. Dabei ist es nicht angebracht, das ganze Gerät zur Reparatur zu bringen, da der Fehler meistens durch Austauschen der defekten Komponente behoben werden kann.

Wenn das Gerät während des Gebrauchs nicht einwandfrei funktioniert, wenden Sie sich bitte umgehend an die für Sie zuständige Tunturi- Alleinvertretung. Beschreiben Sie das Problem, die Einsatzbedingungen und teilen Sie das Kaufdatum und die Typenbezeichnung und die Seriennummer Ihres Gerätes mit.

Wenden Sie sich an Ihre nationale Tunturi-Vertretung, wenn Sie Ersatzteile benötigen. Beschreiben Sie die Einsatzbedingungen und teilen Sie das Kaufdatum und die Seriennummer des Gerätes mit. Die Ersatzteilnummern finden Sie in der Liste am Ende dieser Anweisung. Nur Teile in der Ersatzteilliste dürfen verwendet werden.

Fernbedienung funktioniert nicht

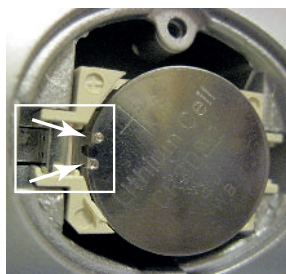
Wenn die im Lenker integrierte Fernbedienung nicht mehr funktioniert, ist sie wahrscheinlich nicht mehr verbunden. Um die Verbindung zwischen dem Lenker-Steuergerät und dem Display wieder herzustellen, muss der Lenker vor der Ruderkonsole mit Strom versorgt werden. Darum:

1. Ziehen Sie den Transformator des Rudergeräts aus der Steckdose.
2. Öffnen Sie das Batteriefach auf der Rückseite des Lenkers und nehmen Sie die CR2032-Batterie heraus. (Warten Sie 2 Sekunden)
3. Setzen Sie die CR2032-Batterie wieder ein und schließen Sie das Batteriefach.
4. Schließen Sie den Transformator des Rudergeräts an und warten Sie mindestens 10 Sekunden (andernfalls wird das Problem bestehen bleiben).
5. Überprüfen Sie die Funktion, indem Sie die Starttaste auf dem Display drücken und die UP/DOWN-Tasten auf der Fernbedienung betätigen, um zu sehen, ob damit die Spannung eingestellt werden kann.

Damit sollte die Verbindung wieder hergestellt sein. Wenn die im Lenker integrierte Fernbedienung immer noch nicht funktioniert, ist es sehr wahrscheinlich, dass die Batterie im Lenker leer ist. Ersetzen Sie die CR2032-Batterie durch eine neue Batterie.

HINWEIS

- Achten Sie beim Einsetzen der CR2032-Batterie darauf, dass Sie diese korrekt einlegen, um eine falsche Batteriepolung zu vermeiden.
- Der Metallhaken muss sich über der Batterie befinden, wie in der Abbildung gezeigt.
- Polarität: - Vorderseite unten und + Vorderseite oben



Quietschende Rollen.

- Beim Aufschieben Räder machen Lärm beim Gleiten Bewegung, Auftragen von 2cc.of das Schmiermittel auf jedem hervorstehende Laufflächen sofort.

⚠️ WARNUNG

- Wir empfehlen die Verwendung eines Schmiermittels auf Silikonbasis.
- Bitte nicht zu viel Schmiermittel abwischen oder redundant Schmiermittel mit einem sauberen Tuch weil zu viel Schmiermittel kann Teppich Flecken oder Schmutzpartikel verursachen.

Transport und Lagerung

⚠️ WARNUNG

- Entfernen Sie vor dem Transport und der Lagerung den Adapter.
- Tragen und bewegen Sie das Gerät mit mindestens zwei Personen.

- Bleiben Sie vor dem Gerät auf beiden Seiten und halten Sie die Handgriffe sicher fest. Heben Sie die Vorderseite des Geräts an, damit die Hinterseite auf die Räder gehoben wird. Bewegen Sie das Gerät und setzen Sie es vorsichtig ab. Stellen Sie das Gerät auf eine schützende Unterlage, um Schäden am Bodenbelag zu vermeiden.
- Bewegen Sie das Gerät vorsichtig über unebene Böden. Bewegen Sie das Gerät nicht auf den Rädern Treppen herauf, sondern tragen Sie es an den Handgriffen.
- Lagern Sie das Gerät an einem trockenen Ort mit möglichst wenig Temperaturschwankungen.

Rudergerät kann zur platzsparenden Aufbewahrung wie folgt in aufrechter Position aufbewahrt werden:

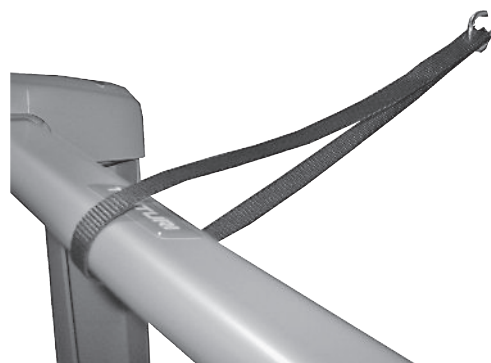
- Lösen Sie den Sicherungsstift unter dem Vorderrahmen, drücken Sie den Vorderrahmen leicht nach unten und ziehen den Sicherungsstift nach oben.
- Öffnen Sie die Sperre auf der linken Seite durch Drücken auf die Lasche. Heben Sie gleichzeitig den Vorderrahmen an.



- Klappen Sie den Vorderrahmen vorsichtig zwischen den Schienen zusammen. Vergewissern Sie sich, dass der Vorderrahmen sicher befestigt ist.
- Fassen Sie die Querschiene auf der Rückseite des Rudergeräts und heben Sie das Gerät in eine aufrechte Position, sodass es auf den vorderen Stützen steht.

HINWEIS

- Verstauen Sie das Rudergerät in der Aufbewahrungsposition so an einer Wand, dass der Vorderrahmen nicht versehentlich auf eine Person fallen kann.



Sie einen geeigneten Aufbewahrungsort für Ihr Rudergerät neben einer Wand und befestigen Sie den Haken in der richtigen Höhe an der Wand. Heben Sie Ihr Rudergerät vor dem Haken in die Aufbewahrungspose. Führen Sie die mit dem Rudergerät gelieferte Schlaufe um die Querschiene und befestigen Sie die Schlaufe am Haken. Nicht auf das Rudergerät klettern, wenn es sich in der

Zusätzliche Informationen

Verpackungsentsorgung

Staatliche Vorschriften sagen, dass wir die in Deponien entsorgen Abfallmengen verringern sollen. Daher bitten wir Sie, den gesamten Verpackungsabfall an öffentlichen Recyclingstellen abzugeben

Entsorgung am ende der Lebensdauer

Wir bei Tunturi hoffen, dass Sie Ihren Fitnesstrainer viele Jahre mit Freude nutzen werden. Jedoch wird irgendwann die Zeit kommen, wenn die Ende der Nutzungsdauer des Fitnesstrainers erreicht ist. Gemäß den europäischen WEEE-Gesetzen sind Sie für eine geeignete Entsorgung des Fitnesstrainers bei einer anerkannten öffentlichen Entsorgungsstelle verantwortlich.

Technische Daten

Parameter	Maßeinheit	Wert
Telemetrischer Herzfrequenzempfänger	Handgrif kontakt 5.3~ 5.4 Khz. Bluetooth (BLE) ANT+	<input checked="" type="checkbox"/> <input checked="" type="checkbox"/> <input checked="" type="checkbox"/> <input checked="" type="checkbox"/>
Länge	cm inch	197 77,6
Breite	cm inch	50 19.7
Körpergröße	cm inch	66 26
Gewicht	kg lbs	46.4 102.3
Max. Benutzergewicht	kg lbs	135 300
Adapter Spannung Strom	V Ma.	9V-DC 1,5 A.

Garantie

Garantiebedingungen

Der Käufer ist berechtigt die den Handel mit Konsumgütern betreffenden gesetzlichen Rechte gemäß der nationalen Gesetzgebung in Anwendung zu bringen. Diese Rechte werden durch die Garantie nicht eingeschränkt. Bedingungen zu ersetzen. Die Eigentümer-Garantie gilt nur dann, wenn das Gerät in einer für entsprechende Geräte der Tunturi New Fitness BV zugelassenen Anwendungsumgebung verwendet wird. Die für das Gerät zugelassene Anwendungsumgebung wird in der Bedienungsanleitung des Geräts genannt.

Garantiedauer

Die Garantie gilt ab Kaufdatum. Die Garantiedauer kann sich je nach Land unterscheiden. Bitte wenden Sie sich an Ihren zuständigen Händler, um die Garantiedauer zu erfahren.

Garantieumfang

Unter keinen Umständen haften die Tunturi New Fitness BV oder der Tunturi-Vertragshändler für dem Käufer möglicherweise zugefügte indirekte Schäden wie Gebrauchsbeeinträchtigung oder Einkommensverlust oder anderen wirtschaftlichen Folgeschäden.

Einschränkungen der garantie

Die Garantie deckt durch Herstellung oder Material hervorgerufene Fehler des Fitnessgeräts in dessen ursprünglicher Zusammensetzung. Unter Voraussetzung, dass die Aufbau-, Pflege- und Gebrauchsanweisungen von Tunturi befolgt wurden, erstreckt sich die Garantie auf solche Fehler, die bei normaler und einem dem Gerät beiliegenden Anleitungsbuch entsprechender Benutzung auftreten können. Die Tunturi New Fitness BV und der Tunturi-Vertragshändler haften nicht für Fehler, die durch Faktoren außerhalb ihrer Einflussmöglichkeiten hervorgerufen wurden. Die Garantie gilt nur für den ursprünglichen Eigentümer und nur in den Ländern, in denen es einen von der Tunturi New Fitness BV autorisierten Importeur gibt. Die Garantie gilt nicht für solche Fitnessgeräte oder Teile, an denen ohne Zustimmung der Tunturi New Fitness BV Veränderungen vorgenommen worden sind. Die Garantie betrifft auch nicht solche Schäden, die durch natürlichen Verschleiß, fehlerhaften Gebrauch, Benutzung unter für das Gerät nicht vorgesehenen Umständen, Korrosion, Verladung oder Transport hervorgerufen wurden.

Ersatzleistungen aufgrund von Geräuschen, die beim Einsatz des Geräts auftreten, sind von der Garantie ausgeschlossen, sofern diese Geräusche den Gebrauch des Geräts nicht wesentlich beeinträchtigen und nicht durch einen Gerätefehler bedingt sind.

Die Garantie beinhaltet keine Wartungsmaßnahmen, wie Reinigung, Schmieren oder normales Kontrollieren der Teile, auch nicht solche Aufbaumaßnahmen, die der Kunde selbst ausführen kann und die kein spezielles Auseinander- oder Zusammenbauen des Fitnessgeräts erfordern. Zu solchen Maßnahmen gehört beispielsweise das Austauschen von Cockpits, Pedalen oder anderer entsprechender einfacher Teile. Andere als die durch einen autorisierten Tunturi-Vertreter ausgeführten Garantieleistungen werden nicht ersetzt. Durch unsachgemäße, d.h. nicht der Bedienungsanleitung entsprechenden, Bedienung, verfällt jedweder Garantieanspruch.

Herstellererklärung

Tunturi New Fitness BV erklärt hiermit, dass das Produkt folgenden Normen und Richtlinien entspricht: EN 957 (HB), 2014/30/EU. Das Produkt trägt daher das CE-Kennzeichen.

07-2020

Tunturi New Fitness BV
Purmerweg 1
1311 XE Almere
The Netherlands

Haftungsausschluss

© 2020 Tunturi New Fitness BV
Alle Rechte vorbehalten.

- Produkt und Handbuch können geändert werden.
- Die technischen Daten können ohne Vorankündigung geändert werden.
- Auf unserer Website finden Sie die neueste Version des Benutzerhandbuchs.

Français

Ce manuel français est une traduction de la version anglaise. Notez que la version anglaise est en tête dans le contenu lorsque des différences sont trouvées.

Indice

Rameur	24
Avertissements de sécurité	24
Sécurité électrique	25
Instructions de montage	25
Description	25
Assemblage (fig. B)	25
Alimentation électrique (Fig. C)	25
Préparer le contrôle de la poignée (fig. E)	25
Exercices	25
Instructions d'entraînement	25
Fréquence cardiaque	26
Usage	26
Comment ramer	26
Console (fig. D-1)	27
Explication des fonctions à l'écran	27
Explication des boutons	28
Fonctionnement	28
Programmes	28
Bluetooth & APP	29
Nettoyage et maintenance	29
Défauts de fonctionnement	29
La télécommande ne fonctionne pas	29
Rouleaux qui grincet	30
Transport et rangement	30
Informations supplémentaires	30
Données techniques	31
Garantie	31
Déclaration du fabricant	31
Limite de responsabilité	31

Rameur

Bienvenue dans l'univers de Tunturi Fitness !

Merci pour votre achat de cet élément d'équipement Tunturi. Tunturi offre toute une gamme d'équipements de fitness professionnels, notamment des vélos elliptiques, tapis de course, vélos d'appartement, rameurs et accessoires. Les équipements Tunturi sont parfaits pour toute la famille, quel que soit le niveau de forme de ses membres. Pour en savoir plus, visitez notre site Web www.tunturi.com

Consignes de sécurité importantes

Lisez attentivement ce mode d'emploi avant d'assembler, d'utiliser ou d'effectuer l'entretien de votre appareil sportif. Veuillez conserver ce guide, il contient les renseignements dont vous aurez besoin, maintenant et plus tard, pour utiliser et entretenir votre appareil. Suivez toujours les instructions très rigoureusement.

Avertissements de sécurité

⚠ AVERTISSEMENT

- Lisez les avertissements de sécurité et les instructions. Le non respect des avertissements de sécurité et des instructions est une source de blessure et de dégâts de l'équipement. Conservez les avertissements de sécurité et les instructions pour référence ultérieure.

⚠ AVERTISSEMENT

- Les systèmes de suivi de la fréquence cardiaque peuvent être inexacts. Un exercice excessif peut entraîner des blessures graves voire mortelles. Si vous vous sentez défaillir, interrompez immédiatement l'exercice.

- L'équipement est uniquement adapté à un usage domestique. L'équipement ne convient pas à un usage commercial.
- La durée d'utilisation maximum est limitée à 5 heures par jour.
- L'emploi de cet équipement par des enfants ou des personnes affectés d'un handicap physique, sensoriel, mental ou moteur, voire dont l'expérience ou les connaissances s'avèrent insuffisantes est une source de risques. Les personnes chargées de leur sécurité doivent leur fournir des instructions explicites ou superviser leur usage de l'équipement.
- Avant de commencer vos exercices, effectuez un bilan de santé auprès d'un médecin.
- Si vous êtes pris de nausées ou de vertiges ou sentez d'autres symptômes normaux pendant l'entraînement, interrompez immédiatement la session et consultez votre médecin.
- Afin d'éviter toutes douleurs et tensions musculaires, commencez vos séances par des échauffements et terminez-les par une récupération. N'oubliez pas de vous étirer après vos exercices.
- L'équipement est uniquement adapté à un usage intérieur. L'équipement ne convient pas à un usage extérieur.
- Utilisez l'équipement uniquement dans des environnements correctement ventilés. N'utilisez pas l'équipement dans des endroits exposés aux courants d'air afin de ne pas vous enrhumier.
- Utilisez l'équipement uniquement à une température ambiante entre 10 °C et 35 °C. Rangez l'équipement uniquement à une température ambiante entre 5 °C et 45 °C.
- N'utilisez et ne rangez pas l'équipement dans un environnement humide. L'humidité de l'air ne doit jamais dépasser 80 %.
- Utilisez l'équipement uniquement pour son usage prévu. N'utilisez pas l'équipement pour d'autres usages que ceux décrits dans le manuel.
- N'utilisez pas l'équipement si l'une de ses pièces est endommagée ou défectueuse. Si une pièce est endommagée ou défectueuse, contactez votre revendeur.
- Maintenez vos mains, vos pieds et les autres parties de votre corps à l'écart des pièces mobiles.
- Maintenez votre chevelure à l'écart des pièces mobiles.
- Portez des vêtements et des chaussures adaptés.
- Maintenez les vêtements, bijoux et autres objets à l'écart des pièces mobiles.
- Assurez-vous qu'une seule personne utilise l'équipement à la fois. L'équipement ne doit pas être utilisé par des personnes pesant plus de 135 kg (300 lbs).
- N'ouvrez pas l'équipement sans consulter votre revendeur.

Sécurité électrique

(Uniquement pour les équipements à alimentation électrique)

- Avant usage, assurez-vous toujours que la tension secteur est identique à celle de la plaque signalétique de l'équipement.
- N'utilisez pas de rallonge.
- Maintenez le câble secteur à l'écart de la chaleur, de l'huile et des bords coupants.
- N'altérez et ne modifiez aucunement le câble secteur ou la fiche secteur.
- N'utilisez pas l'équipement si le câble secteur ou la fiche secteur est endommagé ou défectueux. Si le câble secteur ou la fiche secteur est endommagé ou défectueux, contactez votre revendeur.
- Déroulez toujours complètement le câble secteur.
- Ne passez pas le câble secteur sous l'équipement. Ne passez pas le câble secteur sous un tapis. Ne placez aucun objet sur le câble secteur.
- Assurez-vous que le câble secteur ne pend pas sur le bord d'une table. Assurez-vous que le câble secteur ne peut pas être happé par accident ou faire trébucher.
- Ne laissez pas l'équipement sans surveillance si la fiche secteur est insérée dans la prise murale.
- Ne tirez pas sur le câble secteur pour retirer la fiche secteur de la prise murale.
- Retirez la fiche secteur de la prise murale lorsque l'équipement n'est pas utilisé, avant l'assemblage et le démontage et avant le nettoyage et la maintenance.

Instructions de montage

Description

Votre rameur est un élément d'équipement de fitness stationnaire servant à simuler le mouvement de ramer sans exercer de pression excessive sur les jointures.

Assemblage (fig. B)

⚠ AVERTISSEMENT

- Si une pièce manque, contactez votre revendeur.
- Deux personnes au moins sont nécessaires pour transporter et déplacer l'équipement.

⚠ PRÉCAUTION

- Placez l'équipement sur une surface plane et ferme.
 - Placez l'équipement sur une base protectrice pour éviter d'endommager la surface du sol.
 - Prévoyez un dégagement d'au moins 100 cm autour de l'équipement.
- Le rameur est livré bloqué en position de rangement.
 - Faites glisser le cadre de support situé à l'avant du cadre vers le haut et vers l'avant.
 - Tirez le bouton de blocage vers le haut et poussez le cadre de support vers le bas du côté de la protection des rouleaux de la courroie de transmission.
 - Libérez le bouton de blocage et veillez à ce que le cadre de support soit bloqué en position de support.
 - Serrez toujours le bouton de blocage avant de commencer l'exercice.

Réglez le compteur dans l'angle adéquat pour l'exercice.

Alimentation électrique (Fig. C)

L'alimentation de l'appareil d'entraînement est externe. Reportez-vous à l'illustration pour situer l'entrée de l'alimentation de l'appareil d'entraînement.

⚠ NOTE

- Fixer le transformateur sur la machine avant de le brancher dans une prise murale.
- Toujours retirer le cordon d'alimentation lorsque la machine n'est pas en fonctionnement

Préparer le contrôle de la poignée (fig. E)

Pour éviter le drainage de la batterie pendant le transport et le stockage, nous avons appliqué une bande isolante de batterie dans l'unité de commande de la poignée.

Celui-ci doit être retiré, dans un mouvement prudent mais doux, avant d'utiliser les commandes de la poignée.

Exercices

Un exercice doit être suffisamment léger mais prolongé. L'exercice aérobique repose sur l'amélioration de l'absorption maximum d'oxygène par le corps, améliorant à son tour l'endurance et la forme. Vous devez transpirer mais sans jamais être à bout de souffle durant l'exercice.

Pour atteindre et entretenir un niveau de forme basique, exercez-vous au moins 3 fois par semaine, par session de 30 minutes. Accroissez le nombre des sessions d'exercice pour améliorer votre niveau de forme. Il est profitable de combiner un exercice régulier et un régime sain. Une personne suivant un régime doit s'exercer au quotidien, au début 30 minutes ou moins pour chaque session afin d'accroître ensuite progressivement le temps d'exercice quotidien pour atteindre une heure. Commencez vos exercices à une vitesse lente et avec une faible résistance pour éviter de soumettre le système cardiovasculaire à une contrainte excessive. À mesure de l'amélioration de votre forme, accroissez progressivement la vitesse et la résistance. L'efficacité de votre exercice est mesurable en suivant votre fréquence cardiaque et votre pouls.

Instructions d'entraînement

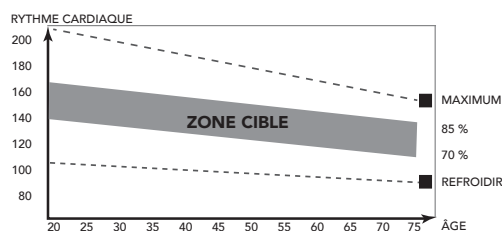
L'utilisation de votre appareil de fitness vous procurera plusieurs avantages : il vous permettra d'améliorer votre forme physique, de tonifier vos muscles et, associé à un régime hypocalorique, de perdre du poids.

Phase d'échauffement

Cette étape favorise la circulation du sang dans tout le corps et le bon fonctionnement des muscles. Elle réduit également le risque de crampes et de lésions musculaires. Il est conseillé de faire quelques exercices d'étirement, comme ceux qui sont indiqués ci-dessous. Chaque étirement doit être maintenu pendant environ 30 secondes. Ne forcez pas ou n'étirez pas excessivement un muscle. Si vous sentez qu'une position vous fait mal, ARRÊTEZ.

Phase d'exercice

C'est l'étape principale de votre entraînement. Après une utilisation régulière de l'appareil, vous sentirez que les muscles de vos jambes ont gagné en souplesse. Il est très important de maintenir un rythme régulier tout au long de la séance. Le rythme de travail doit être suffisant pour faire monter votre rythme cardiaque dans la zone cible indiquée sur le graphique ci-dessous.



Cette étape doit durer au moins 12 minutes, bien que l'on commence généralement à environ 15-20 minutes.

Phase de refroidissement

Cette étape a pour objectif de laisser votre système cardiovasculaire et vos muscles reprendre leur rythme normal. Il s'agit d'une répétition de l'exercice d'échauffement. Baissez le rythme et continuez pendant environ 5 minutes. Vous devez ensuite refaire les exercices d'étirement et souvenez-vous de ne pas forcer ou trop étirer un muscle dans une certaine position.

À mesure que vous améliorerez votre forme, vous ressentirez peut-être le besoin de vous entraîner plus longtemps ou de faire des entraînements plus poussés. Il est conseillé de s'entraîner au moins trois fois par semaine et, si possible, d'espacer les séances régulièrement tout au long de la semaine.

Tonification musculaire

Pour tonifier vos muscles à l'aide de l'appareil de fitness, vous devrez sélectionner une résistance assez élevée. Les muscles de vos jambes seront davantage sollicités et vous ne pourrez peut-être pas vous entraîner aussi longtemps que vous le voudriez. Si vous souhaitez également améliorer votre forme, vous devrez modifier votre programme d'entraînement. Entraînez-vous normalement pendant les phases d'échauffement et de refroidissement, mais vers la fin de l'exercice, augmentez la résistance en faisant travailler vos jambes davantage. Vous devrez réduire la vitesse pour maintenir votre rythme cardiaque dans la zone cible.

Perte de poids

Ici, le facteur important est l'effort que vous déployez. Plus vous entraînez longtemps et de manière soutenue, plus vous brûlerez de calories. C'est en réalité le même principe que pour l'entraînement d'amélioration de la forme ; la différence est l'objectif recherché.

Fréquence cardiaque

Mesure de la fréquence cardiaque (sangle thoracique de fréquence cardiaque)

La sangle thoracique de fréquence cardiaque assure la mesure de fréquence cardiaque la plus précise. La fréquence cardiaque est mesurée par un récepteur combiné à la sangle thoracique de fréquence cardiaque. Une mesure précise de la fréquence cardiaque nécessite des électrodes de sangle émettrice légèrement humides et en contact constant avec la peau. Si les électrodes sont trop sèches ou humides, la mesure de la fréquence cardiaque peut devenir moins précise.

⚠ AVERTISSEMENT

- Si vous portez un stimulateur cardiaque, consultez votre médecin avant d'utiliser une sangle thoracique de fréquence cardiaque.

⚠ PRÉCAUTION

- Si plusieurs dispositifs de mesure de la fréquence cardiaque sont proches les uns des autres, assurez-vous qu'ils sont au moins distants de 2 mètres.
- En présence d'un récepteur unique de fréquence cardiaque pour plusieurs émetteurs, assurez-vous qu'une seule personne avec un émetteur est à portée de transmission.

📌 NOTE

- Portez toujours la sangle thoracique de fréquence cardiaque sous vos vêtements, en contact direct avec votre peau. Ne portez pas votre sangle thoracique de fréquence cardiaque par-dessus vos vêtements. Si vous portez la sangle thoracique de fréquence cardiaque sur vos vêtements, il n'y a pas de signal.
- Si vous réglez une fréquence cardiaque limite pour votre exercice, une alarme retentit dès qu'elle est dépassée.
- L'émetteur transmet la fréquence cardiaque à une console jusqu'à une distance de 1,5 mètre. Si les électrodes ne sont pas suffisamment mouillées, votre fréquence cardiaque ne s'affiche pas.
- Certaines fibres des vêtements (par ex. polyester, polyamide) créent de l'électricité statique qui peut empêcher la mesure précise de la fréquence cardiaque.
- Les téléphones portables, télévisions et autres appareils électriques créent un champ électromagnétique susceptible d'empêcher une mesure précise de la fréquence cardiaque.

Fréquence cardiaque maximum (durant l'exercice)

La fréquence cardiaque maximum est la fréquence la plus élevée qu'une personne peut atteindre en toute sécurité sous la contrainte de l'exercice. La formule suivante sert à calculer la fréquence cardiaque maximum moyenne : $220 - \text{ÂGE}$. La fréquence cardiaque maximum varie d'une personne à l'autre.

⚠ AVERTISSEMENT

- Assurez-vous de ne pas dépasser votre fréquence cardiaque maximum durant l'exercice. Si vous appartenez à un groupe à risque, consultez un médecin.

Débutant

50-60% de fréquence cardiaque maximum

Adapté aux débutants, aux personnes suivant leur poids, aux convalescents et aux personnes ne s'exerçant pas depuis un certain temps. Exercez-vous au moins trois fois par semaine, par session de 30 minutes.

Avancé

60-70% de fréquence cardiaque maximum

Adapté aux personnes souhaitant améliorer et entretenir leur forme. Exercez-vous au moins trois fois par semaine, par session de 30 minutes.

Expert

70-80% de fréquence cardiaque maximum

Adapté aux personnes les plus en forme, habituées aux exercices d'endurance prolongés.

Usage

Comment ramer



Prise d'eau

Confortablement en avant avec le dos et les bras droits.

	<p>Attaque Poussez avec les jambes en laissant les bras droits.</p>
	<p>Dégagé Tirer avec les bras et les jambes tout en basculant légèrement vers l'arrière sur le bassin.</p>
	<p>Retour sur l'avant Le haut du corps bascule vers l'avant au-dessus du bassin et se déplace vers l'avant.</p>
	<p>Prise d'eau Retour à la position de départ et début d'un nouveau mouvement.</p>

Prise d'eau - Attaque

Commencez le mouvement confortablement installé en position avant et poussez fortement vers l'arrière avec les jambes tout en maintenant les bras et le dos droit.

Dégagé

Ramenez les bras vers le torse en passant au-dessus des genoux et continuez le mouvement jusqu'à la fin en basculant légèrement en arrière sur le bassin.

Retour sur l'avant - Prise d'eau

Revenez à la position de départ et recommencez.

Console (fig. D-1)



⚠ PRÉCAUTION

- Maintenez la console à l'écart de la lumière directe du soleil.
- Séchez la surface de la console dès qu'elle est couverte de gouttes de sueur.
- Ne vous appuyez pas sur la console.
- Touchez l'affichage uniquement avec le bout du doigt. Assurez-vous de ne pas toucher l'affichage avec vos ongles ou des objets coupants.

⚠ NOTE

- La console passe en mode de veille si l'équipement n'est pas utilisé pendant 4 minutes.

Explication des fonctions à l'écran

Time/ 500m

- Affiche le temps requis pour parcourir 500 m en fonction de l'intensité actuelle du rameur.
- Portée: 0 ~ 99:00 min.

SPM

- SPM est le nombre de mouvements par minute, et indique la moyenne des mouvements par minute pendant l'entraînement.
- Portée: 0 ~ 999 SPM.

Distance M

- La distance parcourue est additionnée sans définir de valeur cible.
- Lorsqu'une valeur cible est fixée, la distance est comptée à rebours, de la valeur cible à 0 avec une alarme sonore ou clignotante.
- Additionne automatiquement la distance parcourue pendant l'entraînement.
- Portée: 0 ~ 99999 M. (± 100M.)

Time

- La durée est additionnée sans définir de valeur cible.
- Lorsqu'une valeur cible est fixée, la durée est comptée à rebours, de la valeur cible à 0 et l'alarme résonnera ou clignotera.
- La durée s'arrête si aucun signal n'est transmis au moniteur pendant 4 secondes au cours de l'entraînement.
- Portée: 0:00 ~ 99:59.

Strokes

- Affiche le nombre de traits pour l'entraînement actif.
- Portée: 0 ~ 99999 /± 1 traits.

Calories

- Les calories s'additionnent sans définir de valeur cible.
- Lorsqu'une valeur cible est fixée, les calories sont comptées à rebours, de la valeur cible à 0 avec une alarme sonore ou clignotante.
- Les calories continueront à s'additionner si l'entraînement n'est pas arrêté une fois l'objectif atteint.
- Additionne automatiquement les calories brûlées pendant l'entraînement.
- Portée: 0 ~ 9999 K.Calories.

⚠ NOTE

- Ces données sont fournies à titre indicatif pour comparer entre différentes séances d'entraînement ; elles ne doivent pas être utilisées dans le cadre d'un traitement médical.

WATTS

- Affiche la puissance actuelle de l'entraînement.
- Portée 0 ~ 999

Pulse

- Le pouls actuel s'affiche après 6 secondes de la détection par la console.
- La console affiche « P » s'il n'y a aucun signal de pouls pendant 6 secondes.
- L'alarme de pouls résonne lorsque le pouls actuel est supérieur au pouls cible.
- Portée: 0-30 ~ 230 BPM.

Load

- Affiche le réglage du niveau de tension, lors du réglage de la résistance, pendant 3 secondes.
- Portée: 1 ~ 16

Explication des boutons

Reset

- En mode réglage, appuyer une fois sur la touche RESET pour réinitialiser les chiffres actuels des fonctions.
- Maintenir la touche RESET enfoncée pendant 2 secondes pour réinitialiser tous les chiffres des fonctions.

Start/ Stop

- Démarrer ou arrêter (pause) l'exercice.

Recovery (Récupération)

- Après la détection du signal d'impulsion par la console, appuyer sur la touche RECOVERY (récupération) pour passer en mode récupération et suivre la capacité de récupération du rythme cardiaque.

Up

- Augmente le niveau de résistance pendant l'entraînement.
- Augmenter la valeur du paramètre.

Mode

- Confirmer le réglage ou la sélection.

Down

- Réduit le niveau de résistance pendant l'entraînement.
- Diminuer la valeur du paramètre.

Fonctionnement

Marche

- Branchez l'alimentation électrique pour allumer l'ordinateur.
- Appuyer sur une touche pour mettre en marche la console en mode veille.
- Commencer à pédaler pour mettre en marche la console en mode veille.

Mettre hors tension

- Le moniteur passe automatiquement en mode SLEEP (veille) si aucun signal n'est transmis au moniteur pendant 4 minutes.
- Débranchez l'alimentation électrique pour éteindre l'ordinateur directement.

Programmes

Quick start (démarrage rapide)

- Appuyez sur la touche « START/STOP » pour commencer votre entraînement sans configurer aucun paramètre au préalable.
- Utilisez les flèches « VERS LE HAUT/VERS LE BAS » pour ajuster le niveau de résistance pendant l'entraînement.

Fin de l'entraînement

- Appuyez sur « START/STOP » en mode entraînement pour arrêter/mettre en pause votre entraînement.
Pour relancer votre entraînement, appuyez sur le bouton « START/STOP » en mode pause.
- Appuyez sur la touche « RESET » pour réinitialiser la console. (Les données d'entraînement actives seront perdues)

Mode manuel

- Utilisez les flèches « VERS LE HAUT/VERS LE BAS » pour sélectionner un programme d'entraînement, choisissez le mode MANUEL et appuyez sur la touche « MODE » pour définir le paramètre suivant du programme en mode manuel.

- Utilisez les flèches « VERS LE HAUT/VERS LE BAS » pour définir une durée d'entraînement et appuyez sur « MODE » pour confirmer votre choix.
- Après avoir confirmé votre choix, vous pouvez également configurer les calories et la limite de pulsation.

REMARQUE

- Si vous vous fixez plusieurs objectifs, l'entraînement s'arrêtera après chaque objectif atteint.
- Si vous laissez un objectif vide, il ne sera pas considéré comme une limite prédéfinie.
- Le pouls n'est pas une limite de fin d'entraînement, un son « bip » sera diffusé quand vous dépasserez constamment la limite de PULSATION prédéfinie.
- Appuyez sur la touche « START/STOP » pour commencer l'entraînement
- Utilisez les flèches « VERS LE HAUT/VERS LE BAS » pour régler le niveau de résistance. Le niveau de charge est affiché dans la fenêtre « LOAD ».

Programme (fig. F)

- Utilisez les flèches « VERS LE HAUT/VERS LE BAS » pour sélectionner le mode PROGRAMME, et confirmez avec le bouton « MODE ».
- Utilisez les flèches « VERS LE HAUT/VERS LE BAS » pour sélectionner un programme d'entraînement et appuyez sur « MODE » pour confirmer votre choix.
- Utilisez les flèches « VERS LE HAUT/VERS LE BAS » pour définir une durée et appuyez sur « MODE » pour confirmer votre choix.
- Appuyez sur la touche « START/STOP » pour commencer l'entraînement
- Utilisez les flèches « VERS LE HAUT/VERS LE BAS » pour régler le niveau de résistance.

Mode H.R.C.

- Utilisez les flèches « VERS LE HAUT/VERS LE BAS » pour sélectionner un programme d'entraînement, choisissez H.R.C. Appuyez sur « MODE » pour confirmer votre choix.
- Utilisez les flèches « VERS LE HAUT/VERS LE BAS » pour régler l'âge.
- Utilisez les flèches « VERS LE HAUT/VERS LE BAS » pour sélectionner 55 %, 75 %, 90 %, TA.
55 % = (220-âge) x 55 %, 75 % = (220-âge) x 75 %
90 % = (220-âge) x 90 %, TA = Objectif (par défaut = 100). Utilisez les flèches « VERS LE HAUT/VERS LE BAS » pour régler une valeur d'objectif.
Appuyez sur « MODE » pour confirmer votre choix.
- Utilisez les flèches « VERS LE HAUT/VERS LE BAS » pour définir une durée et appuyez sur « MODE » pour confirmer votre choix.
- Appuyez sur la touche « START/STOP » pour commencer l'entraînement
- Utilisez « RESET » pour revenir au menu principal.

Mode course.

- Utilisez les flèches « VERS LE HAUT/VERS LE BAS » pour sélectionner un programme d'entraînement, choisissez « RACE » et appuyez sur « MODE » pour confirmer votre choix.
- Utilisez les flèches « VERS LE HAUT/VERS LE BAS » pour régler « Mouvements par minute » pour le simulateur informatique (Plage 10~95 ± 5) et appuyez sur « MODE » pour confirmer votre choix.
- Utilisez les flèches « VERS LE HAUT/VERS LE BAS » pour régler la distance finale (Plage 100~9900 mètres ± 100) et appuyez sur « MODE » pour confirmer votre choix.
- Appuyez sur le bouton « START/STOP » pour démarrer la fonction course.

REMARQUE

- L'entraînement s'arrêtera lorsque le PC ou vous (U)joueur aurez atteint la fin en premier.

Utilisateur

- Utilisez les flèches « VERS LE HAUT/VERS LE BAS » pour sélectionner un programme d'entraînement, choisissez « User » et appuyez sur « MODE » pour confirmer votre choix.
- Utilisez les flèches « VERS LE HAUT/VERS LE BAS » pour régler le niveau de tension pour le premier segment de profil. (Plage 1~16), appuyez sur « MODE » pour confirmer votre choix.
- Répétez l'opération pour tous les autres segments.
- Lorsque le profil complet est programmé, appuyez sur le bouton « MODE » et maintenez-le enfoncé pendant 2 secondes.
- Utilisez les flèches « VERS LE HAUT/VERS LE BAS » pour définir une durée et appuyez sur « MODE » pour confirmer votre choix.
- Appuyez sur la touche « START/STOP » pour commencer l'entraînement.
- Utilisez « RESET » pour revenir au menu principal.

Récupération

- La touche RECOVERY (récupération) est valide si un pouls est décelé.
- TIME (durée) affiche « 0:60 » (secondes) et compte à rebours jusqu'à 0. (Fig. F-19)
- L'ordinateur affiche F1 à F6 (Fig. F20) après le compte à rebours afin de tester l'état de récupération du rythme cardiaque. Le niveau de récupération du rythme cardiaque peut être retrouvé dans le graphique ci-après.
- Appuyez à nouveau sur la touche RECOVERY (récupération) pour revenir au début.

F1	Remarquable
F2	Excellent
F3	Bon
F4	Acceptable
F5	Inférieur à la moyenne
F6	Mauvais

Résolution des pannes :

- Vérifier que le câble est bien branché s'il n'y a aucun signal lorsque vous pédalez.

NOTE

- L'écran principal s'éteindra si l'entraînement est à l'arrêt pendant 4 minutes.
- Si l'ordinateur affiche des anomalies, débranchez l'alimentation électrique pendant 5 secondes avant de le rebrancher pour une remise à zéro.

Bluetooth & APP

- Cette console peut être connectée à l'APP sur l'appareil intelligent via Bluetooth. (iOS & Android)
- Établissez la connexion Bluetooth uniquement via le mode de connexion sur l'application installée sur votre périphérique intelligent.
- Une fois la console connectée à l'appareil intelligent via Bluetooth elle s'éteindra.

NOTE

- Tunturi vous fournit seulement la possibilité de raccorder votre console de fitness via une connexion Bluetooth. Par conséquent, Tunturi ne peut être tenu responsable des dommages ou du mauvais fonctionnement des produits autres que ceux de Tunturi.
- Consultez le site Web pour plus d'informations.

Nettoyage et maintenance

Cet équipement ne nécessite aucune maintenance spéciale. L'équipement n'a besoin d'aucune calibration après son assemblage, son utilisation et son entretien conformément aux instructions.

AVERTISSEMENT

- Avant le nettoyage et la maintenance, retirez l'adaptateur.
 - N'utilisez aucun solvant pour nettoyer l'équipement.
- Nettoyez l'équipement avec un chiffon doux et absorbant après chaque usage.
 - Vérifiez régulièrement le serrage de tous les écrous et vis.
 - Si nécessaire, lubrifiez les joints. Si nécessaire, nettoyez les chevilles intérieures des barres de sorte que le siège bouge le plus facilement et le plus silencieusement possible. Le cas échéant, vous pouvez améliorer le déplacement du siège en mettant de la paraffine sur la surface des barres.

Defauts de fonctionnement

En dépit d'un contrôle continu de la qualité, l'appareil peut présenter des défauts ou des anomalies de fonctionnement provenant de certains de ses composants. Dans ce cas, il n'est pas cependant nécessaire d'aller faire réparer votre appareil, le problème pouvant bien souvent être résolu par simple changement de la pièce défectueuse.

Contactez votre distributeur au cas où vous remarqueriez un défaut ou un mauvais fonctionnement de votre l'appareil ou si vous avez besoin de pièces de rechange. Indiquez-lui la nature du problème, les conditions d'utilisation, la date d'achat, le modèle et le numéro de série.

Vous trouverez la liste des pièces détachées à la fin de ce mode d'emploi. Seules des pièces mentionnées dans la liste des pièces de rechange peuvent être utilisées dans l'appareil.

La télécommande ne fonctionne pas

Si la télécommande intégrée au guidon ne fonctionne plus, cela signifie qu'elle n'est probablement plus appariée. Pour rétablir la connexion entre la commande du volant et l'affichage, vous devez réalimenter le guidon avec la batterie avant la console du rameur. Pour cela :

1. Débranchez le transformateur du rameur.
2. Ouvrez le compartiment des batteries au dos du guidon et retirez la pile CR2032 du guidon (attendez 2 secondes).
3. Remettez la pile CR2032 en place et refermez le capot du compartiment.
4. Insérez le transformateur du rameur dans la prise et attendez au moins 10 secondes (si vous n'attendez pas 10 s., la procédure va échouer).

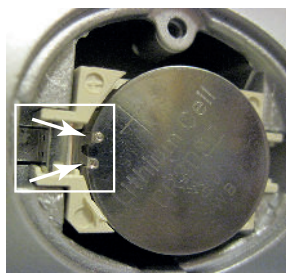
5. Essayez en appuyant sur le bouton de démarrage de l'affichage et utilisez les touches haut/bas de la télécommande pour voir si vous parvenez à régler le niveau de tension.

Cela devrait rétablir la connexion.

Si la télécommande intégrée au guidon ne réagit toujours pas, cela veut sans doute dire que la pile située dans le guidon est déchargée. Remplacez la pile CR2032.

⚠ REMARQUE

- Lorsque vous installez la pile CR2032, veillez à l'insérer correctement pour respecter la polarité.
- Assurez-vous que le crochet métallique est par-dessus la pile comme illustré.
- Polarité : - vers le bas & + vers le haut



Rouleaux qui grincent.

- Quand les roues sont trop bruyants, appliquer 2cc. du lubrifiant à deux rails.

⚠ AVERTISSEMENT

- Nous vous recommandons d'utiliser un lubrifiant à base de silicone.
- Trop de lubrifiant peut des dommages de tapis. Essuyez donc plus tros de lubrifiant avec un chiffon sec.

Transport et rangement

⚠ AVERTISSEMENT

- Avant le transport et le stockage, retirez l'adaptateur.
- Deux personnes au moins sont nécessaires pour transporter et déplacer l'équipement.

Il est important de suivre ces instructions de déplacement.

Autrement, vous risqueriez de fatiguer votre dos ou de créer des situations dangereuses.

Pour déplacer l'appareil, mettez-vous derrière l'appareil. Saisissez l'appareil par le rail et par le siège. Soulevez l'appareil de façon à ce qu'il repose sur ses roulettes de transport dans la partie avant du châssis. Déplacez l'appareil et reposez par terre en vous tenant tout le temps derrière l'appareil.

Transporter l'appareil avec l'attention extrême au-dessus des surfaces inégales, par exemple au-dessus d'une marche. L'appareil ne doit jamais être transporté dans les escaliers à l'aide des roulettes de transport, au lieu de cela il doit être porté. Le déplacement de l'équipement peut abîmer certains revêtements de sol, par ex. les parquets en bois. Dans ce cas, veillez à protéger le sol.

Pour lui garantir un fonctionnement impeccable, rangez votre appareil dans un endroit sec, sans variations de température importantes, et protégez-le contre les poussières.

Pour minimiser la tension sur le mécanisme de la résistance, nous recommandons que le bouton de réglage s'est mis à en 1 après chaque session.

Vous pouvez gagner de l'espace en rangeant votre appareil R60 de la manière suivante:

- Desserrez le bouton de blocage situé dans le bas du cadre de support, poussez le cadre de support entièrement vers le bas et resserrez le bouton de blocage.
- Ouvrez le verrou de blocage situé le côté gauche en poussant la languette sur le côté. Soulevez le cadre de support de la même façon.

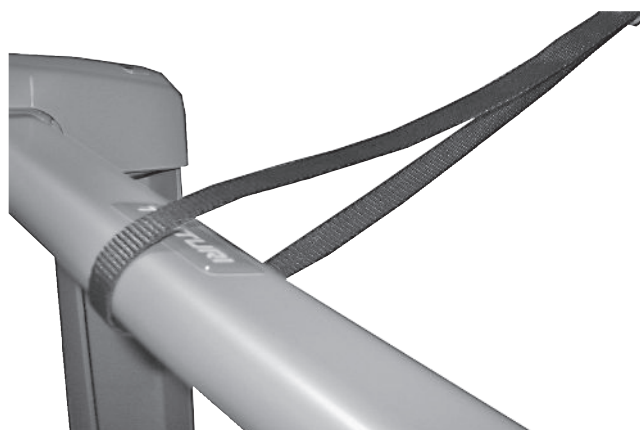


- Baissez précautionneusement le cadre de support entre les barres. Veillez à bien bloquer le cadre de support.
- Accrochez au tube transversal de l'arrière du rameur et levez l'appareil sur les pieds du support vertical.

Rangez l'appareil contre un mur de sorte que le cadre de support ne soit pas dans le chemin.

⚠ PRÉCAUTION

- L'appareil est livré avec un anneau et un crochet à l'aide desquels le rameur peut être solidement bloqué en position de rangement. Choisissez un lieu de rangement adapté près d'un mur et fixez le crochet au mur à la bonne hauteur. Soulevez le rameur à hauteur du crochet. Placez l'anneau autour du tube transversal de l'arrière de l'appareil et accrochez l'anneau au crochet. N'utilisez pas le rameur quand il est en position de rangement!



Informations supplémentaires

Élimination des emballages

Les réglementations gouvernementales nous demandent de réduire la quantité de matériaux déposés dans les décharges. C'est pour cela que nous faisons appel à votre responsabilité et vous demandons de déposer les emballages dans des centres de recyclage publics.

Élimination du produit

Chez Tunturi, nous espérons que vous profiterez longtemps de votre appareil de fitness. Cependant, nous savons bien qu'un jour ou l'autre votre machine arrivera au terme de sa vie utile. Selon la directive européenne sur les DEEE, vous êtes responsable de vous séparer correctement de votre appareil de fitness en le déposant dans un site public agréé de récupération des déchets.

Données techniques

Paramètre	Unité de mesure	Valeur
Récepteur de fréquence cardiaque téléométrique	Contact avec la poignée 5.3~ 5.4 Khz. Bluetooth (BLE) ANT+	<input checked="" type="checkbox"/> <input checked="" type="checkbox"/> <input checked="" type="checkbox"/> <input checked="" type="checkbox"/>
Longueur	cm inch	197 77,6
Largeur	cm inch	50 19.7
Hauteur	cm inch	66 26
Poids	kg lbs	46.4 102.3
Poids maxi. utilisateur	kg lbs	135 300
Adaptateur	V Ma.	9V-DC 1,5 A.

Garantie

Conditions de garantie

Le consommateur dispose des droits légaux accordés par la législation nationale applicable au commerce des produits de consommation courante et cette garantie ne limite ces droits en aucun cas. La « Garantie du propriétaire » est valable uniquement si l'équipement est utilisé dans l'environnement correspondant à celui déterminé par Tunturi New Fitness BV. L'environnement d'utilisation de chaque appareil est mentionné dans le mode d'emploi fourni avec l'appareil en question.

Conditions de garantie

Les conditions de garantie sont applicables à compter de la date d'achat et peuvent varier selon les pays. Demandez conseil à votre revendeur.

Étendue de la garantie

En aucun cas Tunturi New Fitness BV, le revendeur ou le distributeur Tunturi ne répondra des éventuels dommages spéciaux, indirects, secondaires ou consécutifs, de quelque nature que ce soit, liés à l'utilisation de ou à l'inaptitude à utiliser cet équipement.

Restrictions de garantie

La garantie couvre les défauts de fabrication et de matériaux dans un équipement d'origine, sorti d'usine et conditionné par Tunturi New Fitness BV. La garantie couvre uniquement les défauts apparaissant lors d'une utilisation normale et conforme aux instructions du manuel du propriétaire, à condition que les instructions de montage, de maintenance et d'utilisation établies par Tunturi New Fitness BV aient été respectées. Tunturi New Fitness BV et les revendeurs Tunturi ne répondent pas des défauts occasionnés par des conditions indé-

pendantes de leur volonté. La garantie est applicable uniquement au premier acheteur et est valable uniquement dans les pays où Tunturi New Fitness BV dispose d'un distributeur agréé. La garantie ne s'étend pas aux équipements de fitness ou aux pièces qui ont été modifiées sans l'autorisation de Tunturi New Fitness BV. La garantie ne s'applique pas aux défauts provenant d'une usure normale, d'une utilisation inadaptée, d'une utilisation dans des conditions non prévues par le fabricant, de la corrosion ou d'un dommage intervenu lors du chargement ou du transport.

La garantie ne couvre pas les sons ou les bruits émis par l'équipement s'ils ne gênent pas son utilisation et s'ils ne sont pas provoqués par un dysfonctionnement.

La garantie ne couvre pas non plus les mesures de maintenance, telles que le nettoyage, la lubrification ou la vérification normale des pièces, ni les actions que le client peut effectuer lui-même et qui n'exigent pas particulièrement de monter/ démonter l'équipement. Ces actions sont par exemple le changement des compteurs, des pédales ou autres pièces similaires faciles à changer. Seules les réparations sous garantie effectuées par un revendeur ou par le distributeur agréé Tunturi seront prises en charge. Le non-respect des instructions décrites dans le Manuel de l'Utilisateur entraînera l'annulation de la garantie.

Déclaration du fabricant

Tunturi Fitness BV déclare que le produit est conforme aux directives et normes suivantes : EN 957 (HB), 2014/30/EU.
Ce produit porte donc la marque CE.

07-2020

Tunturi New Fitness BV
Purmerweg 1
1311 XE Almere
Pays-Bas

Limite de responsabilité

© 2020 Tunturi New Fitness BV
Tous les droits réservés.

- Le produit et le manuel sont sujets à modifications.
- Les spécifications peuvent changer sans préavis.
- Consultez notre site Web pour obtenir la dernière version du manuel d'utilisation.

Nederlands

Deze Nederlandse handleiding is een vertaling van de Engelse tekst. Aan deze vertaling kunnen geen rechten ontleend worden. De originele Engelse tekst blijft leidend.

Inhoud

Roeitrainer	32
Veiligheidswaarschuwingen	32
Elektrische veiligheid	33
Montage instructies	33
Beschrijving	33
Assemblage (fig. B)	33
Voeding (Fig. C)	33
Handgreep knoppen gebruik klaar maken (fig. E)	33
Instructies.....	33
Hartslag.....	34
Gebruik	34
Hoe te roeien.....	34
Console (Fig. D-1)	35
Uitleg van de weergavefuncties.....	35
Werkning van de knoppen.....	36
Bediening.....	36
Programma's	36
Bluetooth & APP	37
Reiniging en onderhoud	37
Gebruiksstorings	37
Afstandsbediening werkt niet	37
Piepende rollers.....	38
Transport en opslag	38
Aanvullende informatie.....	38
Technische gegevens	38
Garantie	39
Verklaring van de fabrikant	39
Disclaimer	39

Roeitrainer

Welkom in de wereld van Tunturi Fitness!

Hartelijk dank voor uw aankoop van dit Tunturi-toestel. Tunturi biedt een grote verscheidenheid aan professionele toestellen zoals crosstrainers, loopbanden, fietstrainers, roeimachines en accessoires. Het Tunturi-toestel is geschikt voor de hele familie, onafhankelijk van de conditie. Meer informatie vindt u op de website www.tunturi.com

Belangrijke Informatie

Deze gids is een essentieel onderdeel van uw Tunturi looptrainer. Lees deze gids zorgvuldig door vóórdát u begint met monteren, gebruiken of onderhouden van uw looptrainer. Bewaar de gids op een handige plaats. U kunt er, nu en in de toekomst, nuttige informatie uithalen die u nodig heeft voor het gebruik en het onderhoud van de apparatuur. Volg de instructies altijd met zorg op.

Veiligheidswaarschuwingen

⚠ WAARSCHUWING

- Lees de veiligheid-waarschuwingen en de instructies. Het niet opvolgen van de veiligheid-waarschuwingen en de instructies kan persoonlijk letsel of beschadiging van het toestel veroorzaken. Bewaar de veiligheid-waarschuwingen en instructies voor toekomstig gebruik.

⚠ WAARSCHUWING

- Hartslag-bewakingssystemen kunnen onnauwkeurig zijn. Overmatig trainen kan leiden tot ernstig letsel of de dood. Als u zich duizelig voelt, stop dan onmiddellijk met trainen.

- Het toestel is uitsluitend geschikt voor huishoudelijk gebruik. Het toestel is niet geschikt voor commercieel gebruik.
- Het maximum gebruik is beperkt tot 5 uur per dag.
- Het gebruik van dit toestel door kinderen of personen met fysieke, sensorische, geestelijke of motorische handicaps, of met gebrek aan ervaring en kennis kan gevaar veroorzaken. De personen die verantwoordelijk zijn voor hun veiligheid moeten uitdrukkelijke instructies geven of toezicht houden op het gebruik van het toestel.
- Laat uw gezondheid door een arts controleren voordat u met uw training begint.
- Als u misselijkheid, duizeligheid of andere abnormale symptomen ervaart, stop dan onmiddellijk met uw training en raadpleeg een arts.
- Om spierpijn en te zware belasting te voorkomen, moet u elke training beginnen met een warming-up en eindigen met een cooling-down. Vergeet niet om uw spieren te strekken aan het einde van de training.
- Het toestel is uitsluitend geschikt voor gebruik binnenshuis. Het toestel is niet geschikt voor gebruik buitenshuis.
- Gebruik het toestel alleen in een omgeving met voldoende ventilatie. Gebruik het toestel niet in een tochtige omgeving om geen kou te vatten.
- Gebruik het toestel alleen in een omgeving met een omgevingstemperatuur tussen 10 °C en 35 °C. Berg het toestel alleen op bij een omgevingstemperatuur tussen 5 °C en 45 °C.
- Gebruik het toestel niet in een vochtige omgeving. Berg het toestel niet op in een vochtige omgeving. De luchtvochtigheid mag nooit meer zijn dan 80%.
- Gebruik het toestel alleen voor het doel waarvoor het gemaakt is. Gebruik het toestel niet voor andere doelstellingen dan beschreven in de handleiding.
- Gebruik het toestel niet als een onderdeel is beschadigd of niet goed werkt. Raadpleeg uw dealer als een onderdeel is beschadigd of niet goed werkt.
- Houd uw handen, voeten en andere lichaamsdelen uit de buurt van de bewegende delen.
- Houd uw haar uit de buurt van de bewegende delen.
- Draag geschikte kleding en schoenen.
- Houd kleding, sieraden en andere voorwerpen uit de buurt van de bewegende delen.
- Zorg ervoor dat het toestel slechts door één persoon tegelijk wordt gebruikt. Het toestel mag niet worden gebruikt door personen die meer dan 135 kg (300 lbs) wegen.
- Maak het toestel niet open zonder eerst uw dealer te raadplegen.

Elektrische veiligheid

(Uitsluitend voor toestellen met elektrisch vermogen)

- Controleer voor gebruik altijd of de netspanning gelijk is aan de spanning op het typeplaatje van het toestel.
- Gebruik geen verlengsnoer.
- Houd het snoer uit de buurt van warmte, olie en scherpe randen.
- Verander of wijzig het snoer of de stekker niet.
- Gebruik het toestel niet als het snoer of de stekker beschadigd is of niet goed werkt. Als het snoer of de stekker is beschadigd of niet goed werkt, raadpleeg dan uw dealer.
- Rol het snoer altijd helemaal uit.
- Laat het snoer niet onder het toestel door lopen. Laat het snoer niet onder een kleed door lopen. Plaats geen voorwerpen op het snoer.
- Zorg ervoor dat het snoer niet over de rand van een tafel hangt. Zorg ervoor dat niemand per ongeluk achter het snoer kan blijven haken of erover kan struikelen.
- Laat het toestel niet onbewaakt achter wanneer de stekker in het stopcontact zit.
- Trek niet aan het snoer als u de stekker uit het stopcontact wilt halen.
- Verwijder de stekker uit het stopcontact wanneer het toestel niet in gebruik is, vóór montage of demontage en vóór reiniging en onderhoud.

Montage instructies

Beschrijving

Uw roeitrainer is een stationair fitnessstoestel dat wordt gebruikt voor het nabootsen van roeien zonder dat de gewrichten te veel belast worden.

Assemblage (fig. B)

⚠ WAARSCHUWING

- Raadpleeg uw dealer als een onderdeel ontbreekt.
- Draag en verplaats het toestel met minstens twee personen.

⚠ VOORZICHTIG

- Zet het toestel op een stevige, vlakke ondergrond.
 - Zorg voor een beschermende laag onder het toestel om schade aan het vloeroppervlak te voorkomen.
 - Houd rondom de apparatuur ten minste een bewegingsruimte van 100 cm.
- De roeimachine wordt in de opslagpositie vervoerd en geleverd.
 - Duw het zitje achteruit.
 - Duw de voorste buis die op het frame geplooid is omhoog en naar voren.
 - Trek de vergrendelingspin omhoog en duw het voorste frame tegelijkertijd naar beneden met de huls van het treksnoer.
 - Laat de bevestigingspin los en zorg ervoor dat het voorste frame zich in een gesloten voorwaartse positie bevindt.
 - Span de vergrendelingspin altijd goed aan voor u met de oefening begint.

Pas de stand van de monitor aan zodat u die tijdens de oefening goed kunt zien.

Voeding (Fig. C)

De trainer werkt op stroom van een extern voedingsnet. Op de illustratie wordt de plaats van de aansluiting op de trainer weergegeven.

⚠ LET OP

- Sluit de adapter eerst aan op de trainer voordat u deze aansluit op de wandcontactdoos.
- Verwijder altijd de stroomkabel wanneer de trainer niet in gebruik is.

Handgreep knoppen gebruik klaar maken (fig. E)

Om het leeglopen van de accu tijdens transport en opslag te voorkomen, hebben we een accu-isolatiestrip in de handgreepbediening aangebracht.

Deze moet in een voorzichtige maar soepele beweging worden uitgetrokken voordat u de handgreepbediening in gebruik kunt nemen.

Trainingen

De training moet licht genoeg zijn, maar wel langdurig.

Aerobische training is gebaseerd op verbetering van de maximale zuurstofopname van het lichaam, die dan het uithoudingsvermogen en de conditie weer verbetert. U moet tijdens de training wel transpireren, maar u mag niet buiten adem raken.

Voor het bereiken en in stand houden van een basisconditie moet u minstens drie keer per week steeds 30 minuten trainen. Verhoog het aantal trainingssessies ter verbetering van uw conditie. Het is de moeite waard om regelmatige lichaamsbeweging met gezonde voeding te combineren. Iemand die zich goed aan een dieet houdt, zou elke dag moeten trainen te beginnen met 30 minuten of korter, en de dagelijkse trainingsduur geleidelijk opvoeren tot één uur. Begin uw training bij een lage snelheid en een lage weerstand om te voorkomen dat uw hart en bloedvaten te sterk belast worden. Naarmate uw conditie verbetert, kunnen snelheid en weerstand geleidelijk worden verhoogd. De doelmatigheid van uw training kan worden gemeten door uw hartslag.

Instructies

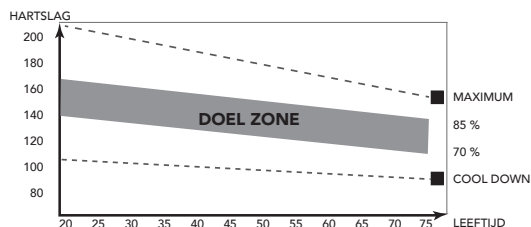
Het gebruik van dit fitness apparaat biedt meerdere voordelen: u verbetert uw fysieke conditie, u versterkt uw spieren en u valt in combinatie met een caloriearm dieet af.

De warming-up

In deze fase wordt uw bloedsomloop gestimuleerd voor een juiste werking van de spieren. Tevens wordt het risico op kramp en spierletsel verminderd. Wij raden u aan enkele stretch oefeningen te doen, zoals hieronder beschreven. Houd elke stretch oefening ongeveer 30 seconden vol. Forceer uw spieren niet bij het stretchen. STOP als het pijn doet

De training fase

Dit is de fase waarin u de meeste inspanning levert. Na regelmatig gebruik worden de spieren in uw benen flexibeler. Het is in deze fase zeer belangrijk dat u een gelijkmatig tempo aanhoudt. De snelheid moet voldoende zijn om uw hartslag te laten stijgen naar de doel zone die in de onderstaande grafiek te zien is.



Deze fase moet minimaal 12 minuten duren, maar de meeste mensen beginnen met ongeveer 15-20 minuten.

De cooling down

In deze fase ontspant u uw cardiovasculaire systeem en spieren. Dit is een herhaling van de warming-uptraining. Verlaag dus uw tempo en ga ongeveer 5 minuten door. Herhaal nu de stretch-oefeningen. Forceer uw spieren niet tijdens het stretchen.

Naarmate u fitter wordt, moet u langer en harder trainen. Het is raadzaam minstens drie keer per week te trainen en zo nodig uw oefeningen gelijkmatig over de week te verspreiden.

Spierversteviging

Als u uw spieren wilt verstevigen met behulp van dit fitnessapparaat, stelt u de weerstand in op hoog. Zo komt er meer spanning op uw beenspieren. Mogelijk kunt u niet zo lang trainen als u zou willen. Als u ook uw conditie wilt verbeteren, moet u het trainingsprogramma aanpassen. Tijdens de warming-up en cooling-down traint u zoals normaal, maar tegen het eind van de trainingsfase verhoogt u de weerstand zodat uw benen harder moeten werken. Verlaag hierbij de snelheid zodat uw hartslag in de doelzone blijft.

Gewichtverlies

Hierbij is het van belang hoeveel inspanning u levert. Hoe harder en langer u werkt, hoe meer calorieën u verbrandt. In feite is dit hetzelfde als wanneer u zou trainen om uw conditie te verbeteren. Het doel is alleen anders.

Hartslag

Hartslagmeting (hartslagborstband)

De meest nauwkeurige hartslagmeting wordt bereikt met een hartslagborstband. De hartslag wordt gemeten met een hartslagontvanger in combinatie met een band die de hartslag verzendt. Voor een nauwkeurige hartslagmeting moeten de elektroden op de borstband enigszins vochtig zijn en de huid constant aanraken. Bij te droge of te natte elektroden kan de hartslagmeting minder nauwkeurig worden.

⚠ WAARSCHUWING

- Als u een pacemaker hebt, moet u het eerst met uw dokter bespreken voordat u een hartslagborstband gebruikt.

⚠ VOORZICHTIG

- Als er verscheidene hartslagmeetapparaten naast elkaar staan, zorg er dan voor dat de tussenafstand minstens 2 meter is.
- Als er slechts één hartslagontvanger en verscheidene hartslagzenders zijn, zorg dan dat er slechts één persoon met een zender in het zendbereik is.

🔊 LET OP

- Draag de hartslagborstband altijd onder uw kleding, direct op uw huid. Draag de hartslagborstband niet boven uw kleding. Als u de hartslagborstband boven uw kleding draagt, zal er geen signaal komen.
- Als u een hartslaglimiet hebt ingesteld voor uw training, klinkt er een alarm wanneer deze wordt overschreden.

- De zender verzendt de hartslag naar de console tot over een afstand van 1,5 meter. Als de elektroden niet vochtig zijn, verschijnt de hartslag niet op de display.
- Sommige vezels in kleding (bijv. polyester, polyamide) produceren statische elektriciteit die een nauwkeurige hartslagmeting kan hinderen.
- Mobiele telefoons, televisies en andere elektrische apparaten creëren een elektromagnetisch veld dat een nauwkeurige hartslagmeting kan hinderen.

Maximale hartslag (tijdens de training)

De maximale hartslag is de hoogste hartslag die iemand veilig kan bereiken door de belasting van de training. De volgende formule wordt gebruikt voor het berekenen van de gemiddelde maximale hartslag: $220 - \text{LEEFTIJD}$. De maximale hartslag varieert van persoon tot persoon.

⚠ WAARSCHUWING

- Zorg ervoor dat u tijdens uw training niet boven uw maximale hartslag komt. Als u bij een risicogroep hoort, moet u een arts raadplegen.

Beginner

50-60% van de maximale hartslag

Geschikt voor beginners, mensen die willen afvallen, herstellende patiënten en personen die lange tijd niet getraind hebben. Train minstens drie keer per week, 30 minuten per keer.

Gevorderd

60-70% van de maximale hartslag

Geschikt voor personen die hun conditie willen verbeteren en in stand houden. Train minstens drie keer per week, 30 minuten per keer.

Expert

70-80% van de maximale hartslag

Geschikt voor de fitteste personen die gewend zijn aan langdurige duurtraining.

Gebruik

Hoe te roeien

	<p>Vang aan. Schuif de zitting naar voren en houd hierbij uw armen gestrekt en uw rug recht.</p>
	<p>Doorhalen Duw uw benen van u af en houd hierbij uw armen gestrekt.</p>

	<p>Afmaken. Trek uw armen over uw knieën naar u toe. Kantel uw bekken hierbij licht..</p>
	<p>Herstel Kantel uw bekken terug en schuif de zitting naar voren</p>
	<p>Van aan Ga terug naar de beginpositie en herhaal deze beweging.</p>

Vang aan - Doorhalen

Schuif de zitting naar voren en duw uw benen van u af, waardoor u zichzelf afzet. Houd uw armen gestrekt en uw rug recht.

Afmaken

Trek uw armen over uw knieën naar u toe. Kantel uw bekken hierbij licht.

Herstel - Van aan

Ga terug naar de beginpositie en herhaal deze beweging.

Console (Fig. D-1)



⚠ VOORZICHTIG

- Houd de console uit de buurt van direct zonlicht.
- Droog het oppervlak van de console wanneer het met zweetdruppels is bedekt.
- Leun niet op de console.
- Raak de display alleen met uw vingertop aan. Raak de display niet aan met uw nagels of een scherp voorwerp.

⚠ LET OP

- De console gaat naar standby wanneer het toestel gedurende 4 minuten niet wordt gebruikt.

Uitleg van de weergavefuncties

Time/ 500m

- Hier ziet u de tijd die nodig is voor een training met een afstand van 500 meter, gebaseerd op de huidige roei-intensiteit.
- Bereik: 0 ~ 99:00 min.

SPM

- SPM is het aantal slagen per minuut en geeft het gemiddelde aantal slagen per minuut tijdens de training weer.
- Bereik: 0 ~ 999 SPM.

Distance M

- Wanneer u geen doelwaarde instelt, wordt de afstand opgeteld.
- Wanneer u wel een doelwaarde instelt, wordt de afstand terug geteld vanaf de doelwaarde. Zodra het aantal op 0 komt, hoort u een alarm of gaat het display knipperen.
- Telt automatisch de afstand op die u aflegt terwijl u traint.
- Bereik: 0 ~ 99999 M. (± 100M.)

Time

- Wanneer u geen doelwaarde instelt, wordt de tijd opgeteld.
- Wanneer u wel een doelwaarde instelt, wordt de tijd terug geteld vanaf de doelwaarde. Zodra het aantal op 0 komt, hoort u een alarm of gaat het display knipperen.
- Wanneer tijdens de workout gedurende 4 seconden geen signaal naar de monitor wordt verzonden, stopt de tijd
- Bereik: 0:00 ~ 99:59.

Strokes

- Geeft het aantal roeislagen weer voor de actieve training.
- Bereik: 0 ~ 99999 / ± 1 slagen.

Calories

- Wanneer u geen doelwaarde instelt, wordt het aantal verbruikte calorieën opgeteld.
- Wanneer u wel een doelwaarde instelt, wordt het aantal calorieën terug geteld vanaf de doelwaarde. Zodra het aantal op 0 komt, hoort u een alarm of gaat het display knipperen.
- Het aantal calorieën wordt verder geteld als u niet stopt met trainen nadat het doel is bereikt.
- Telt automatisch de calorieën op die u verbrandt terwijl u traint.
- Bereik: 0 ~ 9999 K.Calories.

⚠ LET OP

- Deze gegevens zijn een richtlijn voor de vergelijking van verschillende trainingssessies en kunnen niet voor medische behandelingen worden gebruikt.

WATTS

- Weergave van de huidige workout watt.
- Bereik 0 ~ 999

Pulse

- Wanneer uw hartslag door de console wordt geregistreerd, ziet u na 6 seconden uw huidige hartslag.
- Wanneer gedurende 6 seconden geen hartslagsignaal wordt geregistreerd, wordt 'P' weergegeven.
- U hoort een hartslagalarm als uw huidige hartslag de ingestelde hartslag overschrijdt.
- Bereik: 0-30 ~ 230 BPM.

Load

- Geeft weerstand nivo weer wanneer u de weerstand aanpast, voor de duur van 3 seconden.
- Bereik: 1 ~ 16

Werking van de knoppen

Reset

- Druk in de modus Instellingen eenmaal op de toets RESET om de huidige functiegetallen te resetten.
- Houd RESET 2 seconden ingedrukt om alle functiegetallen te resetten

Start/ Stop

- Start of Stop (pauzeer) training

Recovery

- Nadat de console het pulse-sigitaal registreert, drukt u op de toets RECOVERY om de modus te activeren waarin u uw hartslagherstel kunt volgen.

Up

- Verhoog de weerstandswaarde tijdens training.
- Instelwaarde verhogen.

Mode

- Instelling of selectie bevestigen..

Down

- Verlaag de weerstandswaarde tijdens training.
- Instelwaarde verlagen.

Bediening

Inschakelen

- Plug de transformator in om de console in te schakelen.
- Wanneer het apparaat zich in de slaapmodus bevindt, drukt u op een willekeurige toets op de console om het apparaat in te schakelen.
- U kunt ook gaan fietsen om het apparaat te activeren.

Uitschakelen

- Wanneer gedurende 4 minuten geen signaal naar de monitor wordt verzonden, schakelt het apparaat automatisch naar de slaapmodus.
- Plug de transformator uit om de console uit te schakelen.

Programma's

Quick start (Snel starten)

- Tik op de knop START/STOP om uw workout te starten zonder voorgeprogrammeerde instellingen.
- Gebruik UP/DOWN om het weerstandsniveau aan te passen tijdens de training.

Uw workout beëindigen

- Tik op START/STOP in de workoutmodus om uw workout te stoppen of onderbreken.
Als u uw workout hebt onderbroken, kunt u deze hervatten door op de knop START/STOP te tikken.
- Tik op de knop RESET om de console opnieuw in te stellen.
(Gegevens van de actieve training gaan dan verloren)

Handmatige modus

- Gebruik de knop UP/DOWN om een trainingsprogramma te selecteren. Selecteer de modus MANUAL en tik op de knop MODE om de instelling te bevestigen.
- Gebruik de knop UP/DOWN om de trainingstijd in te stellen. Tik op MODE om de instelling te bevestigen.
- Na het bevestigen kunt u ook het aantal calorieën en een hartslaglimiet instellen.



OPMERKING

- Als u meerdere doelen instelt, wordt de training beëindigd wanneer het eerste doel is bereikt.
- Als u een doel leeg laat, wordt dit niet beschouwd als een voorgeprogrammeerde limiet.
- Hartslag is geen eindlimiet voor een training. U hoort een piep wanneer de voorgeprogrammeerde hartslaglimiet wordt overschreden.

- Tik op de knop START/STOP om uw workout te starten.
- Gebruik de knop UP/DOWN om het weerstandsniveau aan te passen. In het venster LOAD ziet u het belastingsniveau.

Program (Fig. F)

- Gebruik de knop UP/DOWN om de modus PROGRAM te selecteren. Bevestig uw keuze met de knop MODE.
- Gebruik de knop UP/DOWN om een trainingsprogramma te selecteren en tik op MODE om te bevestigen.
- Gebruik de knop UP/DOWN om een tijd in te stellen en tik op MODE om te bevestigen.
- Tik op de knop START/STOP om uw workout te starten
- Gebruik de knop UP/DOWN om het weerstandsniveau aan te passen.

H.R.C.

- Tik op de knop UP/DOWN om het trainingsprogramma H.R.C. te selecteren. Tik op MODE om te bevestigen.
- Gebruik de knop UP/DOWN om uw leeftijd in te stellen.
- Gebruik de knop UP/DOWN om 55%, 75%, 90% of TA te selecteren.
 $55\% = (220 - \text{leeftijd}) \times 55\%$, $75\% = (220 - \text{leeftijd}) \times 75\%$
 $90\% = (220 - \text{leeftijd}) \times 90\%$, TA=Target (standaard=100) Gebruik de knop UP/DOWN om een doelwaarde in te stellen.
Tik op MODE om te bevestigen.
- Gebruik de knop UP/DOWN om een tijd in te stellen en tik op MODE om te bevestigen.
- Tik op de knop START/STOP om uw workout te starten
- Tik op RESET om terug te keren naar het hoofdmenu.

Racemodus.

- Gebruik de knop UP/DOWN om het trainingsprogramma RACE te selecteren. Tik op MODE om te bevestigen.
- Gebruik de knop UP/DOWN om het aantal slagen per minuut in te stellen voor de computersimulator (bereik 10~95 ±5). Tik op MODE om te bevestigen.
- Gebruik de knop UP/DOWN om de afstand in te stellen (bereik 100~9900 meter ±100). Tik op MODE om te bevestigen.
- Tik op de knop START/STOP om de racefunctie te activeren.



OPMERKING

- De training eindigt wanneer de pc of u als eerste het einde heeft gehaald.

Gebruiker

- Gebruik de knop UP/DOWN om een trainingsprogramma te selecteren. Kies Gebruiker en tik op MODE om te bevestigen.
- Gebruik de knop UP/DOWN om het spanningsniveau voor het eerste profielsegment in te stellen (bereik 1~16). Tik op MODE om te bevestigen.
- Herhaal deze stap voor de overige segmenten.
- Wanneer u het volledige profiel hebt geprogrammeerd, houdt u de knop MODE twee seconden ingedrukt om te bevestigen.
- Gebruik de knop UP/DOWN om een tijd in te stellen en tik op MODE om te bevestigen.
- Tik op de knop START/STOP om uw workout te starten.
- Tik op RESET om terug te keren naar het hoofdmenu.

Recovery

- De toets RECOVERY werkt alleen als een hartslag wordt geregistreerd.
- Bij TIME wordt '0:60' (seconden) weergegeven; er wordt terug geteld naar 0. (fig. F-19)
- Na het aftellen om de status van het hartslagherstel te testen, wordt op de computer F1 tot en met F6 weergegeven (fig. F20). De gebruiker kan het hartslagherstelniveau vinden in de onderstaande tabel.
- Druk opnieuw op de toets RECOVERY om terug te keren naar het begin.

F1	Voortreffelijk
F2	Uitstekend
F3	Goed
F4	Normaal
F5	Onder het gemiddelde
F6	Slecht

Problemen oplossen

- Als de computerweergave niet correct is, haalt u de stekker 5 seconden uit het stopcontact voordat u een algehele reset uitvoert.
- Als er geen signaal is wanneer u fietst, controleer dan of de kabel goed is aangesloten.

⚠ LET OP

- Wanneer u gedurende 4 minuten stopt met de training, wordt het hoofdscherm uitgeschakeld

Bluetooth & APP

- U kunt deze console via Bluetooth verbinden met een App op uw smart-apparaat. (iOS & Android)
- Breng de Bluetooth-verbinding alleen tot stand via de verbindingmodus op de geïnstalleerde APP op uw smart-apparaat.
- Wanneer de Bluetooth-verbinding tussen APP en console tot stand is gebracht, wordt het display van de console grijs weergegeven alsof deze zich in de standby-modus bevindt.

⚠ LET OP

- Tunturi biedt uitsluitend de mogelijkheid om uw fitnessconsole via een bluetooth-verbinding aan een smart-apparaat te koppelen. Tunturi kan daarom niet aansprakelijk worden gesteld voor schade of gebreken aan producten die niet door Tunturi worden geproduceerd.
- Raadpleeg de website voor extra informatie.

Reiniging en onderhoud

Het toestel vereist geen speciaal onderhoud. Het toestel behoeft geen kalibratie wanneer het wordt geassembleerd, gebruikt en onderhouden overeenkomstig de instructies.

⚠ WAARSCHUWING

- Verwijder voor reiniging of onderhoud de adapter.
- Gebruik geen oplosmiddelen om het toestel te reinigen.
- Reinig het toestel na elk gebruik met een zachte absorberende doek.
- Controleer regelmatig of alle schroeven en moeren goed vast zitten.
- Smeer indien nodig de draaipunten.

- Reinig de binnenzijde van de rail indien nodig zodat het zitje zo vlot en geruisloos mogelijk kan bewegen. Indien gewenst, kunt u de beweging van het zitje verbeteren door de binnenzijde van de rails in te smeren met paraffine.

Gebruiksstoringsen

Ondanks voortdurende kwaliteitscontroles, kunnen er defecten of storingsen optreden die het gevolg zijn van het niet goed functioneren van onderdelen die in de looptrainer zijn gebruikt. In de meeste gevallen is het onnodig om het gehele apparaat ter reparatie aan te bieden, aangezien de storing meestal kan worden opgelost door het vervangen van het defecte onderdeel.

Mochten er storingsen optreden bij het gebruik van de trainer, neem dan onmiddellijk contact op met uw Tunturi dealer. Vermeldt daarbij altijd het model en het serienummer van uw Tunturi trainer, de eventuele storingscode en door wie de trainer is geïnstalleerd.

Vermeldt bij het bestellen van onderdelen het model, het serienummer van het apparaat en het nummer van het onderdeel. Op de laatste pagina's van deze gids vindt u de onderdelenlijst.

Afstandsbediening werkt niet

Als de geïntegreerde afstandsbediening in de handgreep niet meer werkt, is deze waarschijnlijk niet langer gepaard.

Om de verbinding tussen de bedieningsunit in de handgreep en het display opnieuw tot stand te brengen, moet de handgreep eerst worden aangesloten op een batterij voordat u de console van de roeitrainer inschakelt. Ga als volgt te werk:

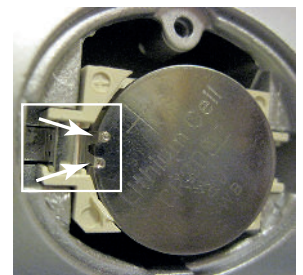
1. Koppel de transformator van de roeitrainer los.
2. Open het batterijklepje aan de achterzijde van de handgreep, verwijder de CR2032-batterij en wacht 2 seconden.
3. Plaats de CR2032-batterij terug en sluit het klepje.
4. Sluit de transformator van de roeitrainer aan en wacht ten minste 10 seconden. (Als u niet 10 seconden wacht, mislukt de procedure.)
5. Controleer of de afstandsbediening werkt door op de startknop op het display te drukken en de toetsen voor omhoog/omlaag op de afstandsbediening te gebruiken om het spanningsniveau aan te passen.

De verbinding moet nu opnieuw tot stand zijn gebracht.

Als de geïntegreerde afstandsbediening in de handgreep nog steeds niet werkt, is de batterij in de handgreep waarschijnlijk leeg. Vervang de CR2032-batterij door een nieuwe knooppelbatterij.

⚠ OPMERKING

- Let op de juiste positie wanneer u de CR2032-batterij plaatst.
- Schuif de metalen haak over de batterij zoals weergegeven in de afbeelding.
- Polariteit: - onderzijde en + bovenzijde



Piepende rollers.

- Wanneer de wielen teveel geluid maken tijdens het bewegen, breng dan 2cc. van het smeermiddel aan op beide rails.

⚠ WAARSCHUWING

- We raden aan een smeermiddel op siliconenbasis te gebruiken.
- Te veel smeermiddel kan vlekken op het tapijt of stofdeeltjes veroorzaken. Veeg daarom overvloedig smeermiddel weg met een droge doek.

Transport en opslag

⚠ WAARSCHUWING

- Verwijder voor transport en opslag de adapter.
 - Draag en verplaats het toestel met minstens twee personen.
- Blijf aan weerskanten aan de voorkant van het toestel staan en pak de handgrepen stevig vast. Til de voorkant van het toestel op zodat de achterkant van het toestel op de wielen komt te rusten. Verplaats het toestel en zet het voorzichtig neer. Zorg voor een beschermende laag onder het toestel om schade aan het vloeroppervlak te voorkomen.
 - Verplaats het toestel voorzichtig over een ongelijke ondergrond. Breng het toestel niet met behulp van de wielen naar boven, maar draag het toestel bij de handgrepen.
 - Berg het toestel op een droge plaats op met zo weinig mogelijk temperatuurwisselingen.

De roeimachine R60 kan op de volgende manier tot een rechtopstaande, plaatsbesparende positie gebracht worden:

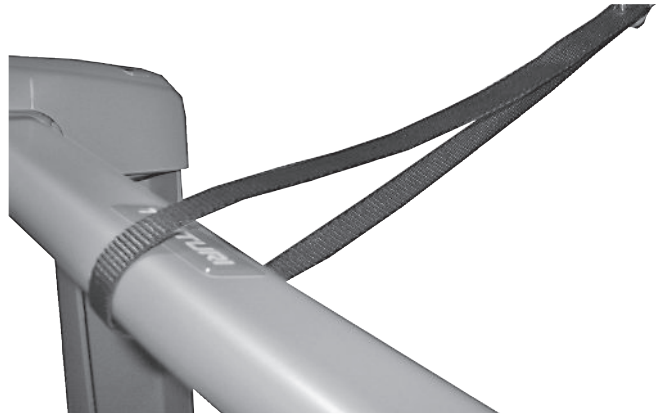
- Maak de vergrendelingspin onder het voorste frame los, duw het voorste frame een beetje naar beneden en trek de vergrendelingspin naar boven.
- Open het veerslot aan de linkerkant door de klep opzij in te drukken. Hef tegelijkertijd het voorste frame omhoog.



- Verlaag het voorste frame voorzichtig tussen de rails. Zorg ervoor dat het voorste frame vastzit.
- Neem de stang achteraan de roeimachine vast en plaats het toestel in rechtopstaande positie, ondersteund door de speciale pootjes vooraan. Plaats de roeimachine in opslagpositie tegen een muur en zorg ervoor dat het voorste frame niet per ongeluk op iemand kan vallen.

⚠ LET OP

- Het toestel wordt vervoerd met een lus en een haak die ervoor moeten zorgen dat het toestel mooi in de opslagpositie blijft. Kies voor uw roeimachine een geschikte opslagplaats naast een muur uit. Bevestig de haak stevig en op de juiste hoogte aan de muur. Hef de roeimachine in opslagpositie omhoog tot voor de haak. Hang de lus die bij de roeimachine werd geleverd rond de stang en hang deze aan de haak. Klim niet op de roeimachine wanneer die zich in opslagpositie bevindt!



Aanvullende informatie

Afvoeren van verpakkingsmateriaal

Overheids-richtlijnen geven aan dat we de hoeveelheid afvalmateriaal afgevoerd naar stortplaatsen moeten verminderen. Daarom vragen we u al het afvalmateriaal op verantwoordelijke wijze af te voeren naar openbare recycling-centra.

Verwijdering aan het eind van de levensduur.

We hopen dat u jarenlang plezier hebt van uw fitnessapparaat. Er komt echter een moment waarop het fitnessapparaat het eind van de bruikbare levensduur heeft bereikt. Onder de Europese AEEA-wetgeving bent u verantwoordelijk voor het op de juiste wijze afvoeren van uw fitnessapparaat naar een erkend openbaar inzamelpunt.

Technische gegevens

Parameter	Meeteenheid	Waarde
Telemetrische hartslagontvanger	handgreep contact 5.3~ 5.4 Khz. Bluetooth (BLE) ANT+	<input checked="" type="checkbox"/> <input checked="" type="checkbox"/> <input checked="" type="checkbox"/> <input checked="" type="checkbox"/>
Lengte	cm inch	197 77,6
Breedte	cm inch	50 19.7
Hoogte	cm inch	66 26
Gewicht	kg lbs	46.4 102.3
Max. gewicht gebruiker	kg lbs	135 300
Adapter Spanning Sterkte	V Ma.	9V-DC 1,5 A.

Garantie

Garantievoorwaarden

De consument ontleent wettelijke rechten aan de van toepassing zijnde nationale wetgeving aangaande de handel in consumtengoederen en de garantie zal deze rechten niet beperken.

De "Garantie voor de Eigenaar" geldt alleen dan wanneer het toestel wordt gebruikt in de door Tunturi New Fitness BV voor dat toestel toegestane gebruiksomgeving. Voor elk toestel wordt de toegestane gebruiksomgeving beschreven in de gebruiksaanwijzing van het toestel.

Garantievoorwaarden

De garantievoorwaarden gaan in vanaf de datum van aankoop. Deze kunnen per land verschillen. Vraag in de winkel bij u in de buurt naar de garantievoorwaarden.

Garantiedekking

In geen enkele omstandigheid zal Tunturi New Fitness BV of een wederverkoper van Tunturi aansprakelijk zijn voor eventuele indirecte schade geleden door de koper, zoals verlies van gebruiksnuut of inkomstenderving of andere indirecte economische gevolgen.

Garantiebeperkingen

De garantie dekt defecten van het toestel die het gevolg zijn van materiaalfouten of onjuist uitgevoerd werk, mits het toestel zijn originele samenstelling heeft. De garantie betreft alleen defecten die blijken tijdens normaal gebruik overeenkomstig de meegeleverde gebruiksaanwijzing, mits de montage-, onderhouds- en gebruiksaanwijzingen van Tunturi zijn opgevolgd. Tunturi New Fitness BV en zijn wederverkopers zijn niet aansprakelijk voor defecten tengevolge van factoren waarop zij geen invloed kunnen uitoefenen.

De garantie betreft alleen de eerste eigenaar van het toestel en is alleen geldig in landen waar een geautoriseerde importeur van Tunturi New Fitness BV is gevestigd. De garantie betreft geen trainingstoestellen of onderdelen die zijn gewijzigd zonder toestemming van Tunturi New Fitness BV. De garantie dekt geen defecten tengevolge van normale slijtage, onjuist gebruik, gebruik in omstandigheden waarvoor het toestel niet is bedoeld, corrosie of schade ontstaan tijdens laden of transport.

De garantie geldt niet voor geluiden die ontstaan door het gebruik, als ze het gebruik van het apparaat niet wezenlijk belemmeren en niet veroorzaakt zijn door een defect aan het apparaat.

De garantie omvat ook geen onderhoudsmaatregelen, zoals reiniging, smering of normale inspectie van onderdelen, noch dergelijke montagewerkzaamheden die de klant zelf kan uitvoeren en die geen speciale demontage en montage van het toestel vereisen. Dit soort maatregelen zijn bijv. vervanging van monitoren, pedalen of andere vergelijkbare eenvoudige onderdelen. Garantieherstel dat is uitgevoerd door een ander dan de geautoriseerde Tunturi-vertegenwoordiger wordt niet vergoed. De garantie geldt alleen voor normaal, voorgeschreven gebruik van het product zoals beschreven in de handleiding.

Verklaring van de fabrikant

Tunturi New Fitness BV verklaart dat het product voldoet aan de volgende normen en richtlijnen: EN 957 (HA), 2014/30/EU. Het product is derhalve voorzien van het CE-label.

07-2020

Tunturi New Fitness BV
Purmerweg 1
1311 XE Almere
The Netherlands

Disclaimer

© 2020 Tunturi New Fitness BV
Alle rechten voorbehouden.

- Het product en de handleiding zijn aan veranderingen onderhevig.
- Specificaties kunnen zonder verdere kennisgeving worden veranderd.
- Raadpleeg onze website voor de meest recente versie van de gebruikershandleiding.

Italiano

Questo manuale in lingua italiana è una traduzione dalla versione originale del manuale in lingua inglese.
Non si possono trarre diritti di traduzione dalla presente traduzione.

Indice

Vogatore..... 40
Precauzioni di sicurezza..... 40
 Sicurezza elettrica40
Istruzioni di montaggio..... 41
 Descrizione (fig. A).....41
 Assemblaggio (fig. B).....41
 Alimentazione (Fig. C).....41
 Preparare il controllo dell'impugnatura (fig. E)41
Allenamenti..... 41
 Istruzioni per l'esercizio.....41
 Frequenza cardiaca42
Utilizzo..... 42
 Come si effettua la vogata42
Console (Fig. D-1) 43
 Spiegazione delle funzioni visualizzate43
 Spiegazione dei tasti.....44
 Funzionamento44
 Programmi44
Bluetooth & APP 45
Pulizia e manutenzione 45
Disturbi durante l'uso 45
 Il telecomando non funziona45
 Rulli cigolanti.....46
Trasporto e stoccaggio 46
 Informazioni aggiuntive46
Dati tecnici..... 46
Garanzia..... 47
Dichiarazione del fabbricante..... 47
Dichiarazione di non responsabilità..... 47

Vogatore

Benvenuti nel mondo di Tunturi Fitness!
 Grazie per aver acquistato questo apparecchio Tunturi. Tunturi offre un'ampia gamma di apparecchi per fitness professionale, fra cui crosstrainer, tapis roulant, cyclette, e vogatori e. Questo apparecchio Tunturi è adatto per tutta la famiglia, a prescindere dal livello di forma fisica. Per ulteriori informazioni, visitare il sito Web www.tunturi.com

Importanti istruzioni di sicurezza

Questo libretto di istruzioni è una parte essenziale della tua attrezzatura da ginnastica. Leggi con attenzione quanto scritto in questa guida, prima del montaggio dei pezzi e prima di fare uso dell'attrezzo o di effettuarne qualunque manutenzione. Ti raccomandiamo pure di conservare la presente guida in un luogo sicuro e a portata di mano; essa ti fornirà, adesso e nel futuro, tutte le istruzioni necessarie all'uso e alla manutenzione della tua attrezzatura da ginnastica. Tali istruzioni devi seguirle sempre con molta attenzione!

Precauzioni di sicurezza

⚠ ATTENZIONE

- Leggere le precauzioni di sicurezza e le istruzioni. La mancata osservanza delle precauzioni di sicurezza e delle istruzioni può causare lesioni personali o danni all'apparecchio. Conservare gli avvisi di sicurezza e le istruzioni per future consultazioni.

⚠ ATTENZIONE

- Il sistema di monitoraggio della frequenza cardiaca può essere impreciso. L'eccessivo esercizio può causare serie lesioni o perfino il decesso. Se si avverte spossatezza, interrompere immediatamente l'allenamento.

- L'apparecchio è adatto esclusivamente per un uso domestico, non professionale. L'apparecchio non è idoneo per scopi commerciali.
- L'utilizzo massimo è limitato fino a 5 ore al giorno
- L'uso di questo apparecchio da parte di bambini o persone con handicap fisici, sensoriali, mentali o motori o privi di esperienza e di competenze può causare pericoli. Le persone responsabili per la loro sicurezza devono fornire esplicite istruzioni o supervisionare l'uso dell'apparecchio.
- Prima di iniziare l'allenamento, consultare un medico per verificare il proprio stato di salute.
- Se si avvertono nausea, vertigini o altri sintomi anomali, interrompere immediatamente l'allenamento e consultare un medico.
- Per evitare dolori muscolari e sforzi, iniziare ogni allenamento con una fase di riscaldamento e terminare ogni allenamento con una fase di defaticamento. Ricordarsi di eseguire lo stretching al termine dell'allenamento.
- L'apparecchio è adatto esclusivamente per un uso in interni. L'apparecchio non è idoneo per un uso all'aperto.
- Utilizzare l'apparecchio in un ambiente con ventilazione adeguata. Non utilizzare in ambienti esposti alle correnti d'aria per non prendere un raffreddore.
- Utilizzare l'apparecchio esclusivamente in ambienti con temperature comprese fra 10 °C e 35 °C. Conservare l'apparecchio esclusivamente in ambienti con temperature comprese fra 5°C~45°C/ 41°F~113°F.
- Non utilizzare o riporre l'apparecchio in ambienti umidi. L'umidità dell'aria non deve mai superare l'80%.
- Utilizzare l'apparecchio solo per lo scopo previsto. Non utilizzare l'apparecchio per scopi diversi da quelli descritti nel manuale.
- Non usare l'apparecchio se presenta parti danneggiate o difettose. In caso di parti danneggiate o difettose contattare il rivenditore.
- Mantenere mani, piedi e le altre parti del corpo lontani dalle parti in movimento.
- Tenere i capelli lontani dalle parti in movimento.
- Indossare indumenti e scarpe adatti.
- Mantenere abiti, gioielli e altri oggetti lontani dalle parti in movimento.
- Controllare che l'apparecchio venga utilizzato da una sola persona alla volta. L'apparecchio non deve essere utilizzato da persone di peso superiore a 135 kg (300 lbs)
- Non smontare l'apparecchio senza aver consultato il rivenditore..

Sicurezza elettrica

(valido solo per apparecchi elettrici)

- Prima dell'uso, verificare sempre che la tensione della rete elettrica corrisponda alla tensione riportata sulla targhetta nominale dell'apparecchio.
- Non utilizzare cavi di prolunga.

- Tenere il cavo di alimentazione lontano da fonti di calore, olio e bordi affilati.
- Non alterare o modificare il cavo o la spina di alimentazione.
- Non utilizzare l'apparecchio se il cavo o la spina di alimentazione sono danneggiati o difettosi. Se il cavo o la spina di alimentazione risultano danneggiati o difettosi, contattare il rivenditore.
- Svolgere sempre completamente il cavo di alimentazione
- Non far passare il cavo di alimentazione sotto l'apparecchio. Non far passare il cavo di alimentazione sotto un tappeto. Non collocare alcun oggetto sul cavo di alimentazione.
- Verificare che il cavo di alimentazione non sporga sul bordo di un tavolo. Verificare che il cavo di alimentazione non possa rimanere accidentalmente impigliato o causare inciampanti.
- Non lasciare l'apparecchio incustodito quando la spina di alimentazione è collegata alla presa a muro.
- Non tirare il cavo di alimentazione per rimuovere la spina dalla presa a muro.
- Scollegare la spina di alimentazione dalla presa a muro quando l'apparecchio non è in uso, prima di assemblare o di smontare l'apparecchio o di qualsiasi intervento di pulizia o manutenzione.

Istruzioni di montaggio

Descrizione (fig. A)

Il vogatore è un apparecchio fisso per il fitness utilizzato per simulare la voga senza causare eccessiva pressione sulle giunture.

Assemblaggio (fig. B)

⚠ AVVISIO

- In caso di parti mancanti, contattare il proprio rivenditore.
- Per portare e spostare l'attrezzatura sono necessarie almeno due persone.

⚠ ATTENZIONE

- Posizionare l'attrezzatura in una superficie solida e orizzontale.
 - Posizionare l'attrezzatura su una base protettiva per impedire danni alla superficie del pavimento.
 - Mantenere almeno 100 cm di spazio attorno all'attrezzatura.
- Il vogatore viene spedito in posizione di stoccaggio bloccata.
 - Spingere il tubo frontale piegato sul telaio verso l'alto e in avanti.
 - Tirare il perno di blocco verso l'alto e premere simultaneamente il telaio anteriore verso il basso tramite il coperchio della ruota della puleggia.
 - Rilasciare il perno di blocco e assicurarsi che il telaio anteriore sia in posizione di blocco in avanti.
 - Serrare sempre il perno di blocco prima di iniziare l'esercizio.

Regolare la console in modo che si trovi a un angolo appropriato per l'esercizio.

Alimentazione (Fig. C)

Il trainer è dotato di un'alimentazione esterna. Fare riferimento all'illustrazione per individuare l'ingresso dell'alimentazione del trainer.

🔌 NOTA

- Collegare l'alimentazione al trainer prima di inserirla nella presa elettrica.
- Staccare sempre il cavo di alimentazione quando la macchina non viene usata.

Preparare il controllo dell'impugnatura (fig. E)

Per evitare il drenaggio della batteria durante il trasporto e lo stoccaggio, abbiamo applicato una striscia di isolamento della batteria nell'unità di controllo dell'impugnatura. Questo deve essere estratto, con un movimento attento ma fluido, prima di utilizzare i controlli dell'impugnatura.

Allenamenti

L'allenamento deve essere adeguatamente leggero ma di lunga durata. L'esercizio aerobico si basa sul miglioramento del consumo massimo di ossigeno del corpo che a sua volta migliora resistenza e forma fisica. Durante l'allenamento è necessario sudare ma non arrivare all'affanno. Per raggiungere e mantenere una forma fisica di base, allenarsi almeno tre volte alla settimana, per 30 minuti alla volta. Aumentare il numero di sessioni di esercizio per migliorare il livello di forma fisica. È importante combinare l'esercizio regolare con una dieta salutare. Una persona impegnata a seguire una dieta dovrà allenarsi quotidianamente, iniziando con 30 minuti o meno e aumentando gradualmente l'allenamento giornaliero fino ad un'ora. Iniziare l'allenamento a bassa velocità e con scarsa resistenza per evitare di sottoporre a uno stress eccessivo il sistema cardiovascolare. Man mano che il livello di forma fisica aumenta, è possibile aumentare gradualmente anche velocità e resistenza. L'efficienza dell'allenamento può essere misurata monitorando la frequenza cardiaca e le pulsazioni.

Istruzioni per l'esercizio

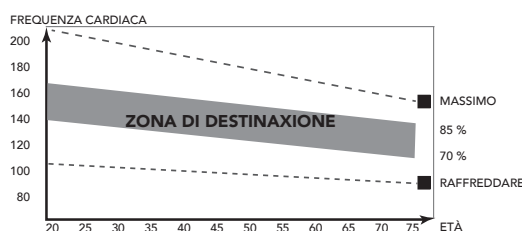
L'utilizzo del vostro fitness trainer vi darà diversi benefici, migliorerà la vostra forma fisica, tono muscolare e, insieme a una dieta con le calorie sotto controllo, vi aiuterà a perdere peso.

La fase di riscaldamento

Questa fase aiuta a far scorrere il sangue nel corpo e a far funzionare correttamente i muscoli. Ridurrà anche il rischio di crampi e di lesioni muscolari. Si consiglia di fare qualche esercizio di stretching come mostrato qui di seguito. Ogni esercizio di stretching andrebbe mantenuto per circa 30 secondi, non forzare o strappare i muscoli durante l'esercizio, se si sente un dolore FERMARSI SUBITO

La fase dell'esercizio

Questa è la fase dove fate il vostro sforzo. Dopo un uso regolare, i muscoli delle vostre gambe diventeranno più flessibili. Lavorare nell'ottica del vostro obiettivo è molto importante per mantenere un ritmo costante durante l'esercizio. La velocità del vostro lavoro dovrebbe essere sufficiente per aumentare il vostro battito cardiaco nella zona target mostrata sul grafico qui sotto.



Questa fase dovrebbe durare almeno 12 minuti anche se la maggior parte delle persone inizia a circa 15-20 minuti

La fase di defaticamento

Questa fase consente al vostro sistema cardiovascolare e ai vostri muscoli di rilassarsi. Questa è una ripetizione dell'esercizio di riscaldamento, cioè riduce il vostro ritmo, e continua per circa 5 minuti. Gli esercizi di stretching adesso andrebbero ripetuti, ricordandosi sempre di non forzare o strappare i vostri muscoli nello stretching.

A mano a mano che sarete più in forma, potrete aver bisogno di allenarvi di più e più a lungo. Si consiglia di allenarsi almeno tre volte alla settimana, e se possibile, spalmare gli esercizi in

Tono muscolare

Per tonificare i muscoli mentre siete sul vostro fitness trainer dovrete impostare la resistenza abbastanza alta. Questo sforzerà di più i muscoli delle vostre gambe e potrebbe voler dire che non potrete allenarvi per il tempo che avreste desiderato. Se anche voi state cercando di migliorare la vostra forma dovrete modificare il vostro programma di allenamento. Dovreste allenarvi normalmente durante le fasi di riscaldamento e di defaticamento, ma verso la fine della fase dell'esercizio dovrete aumentare la resistenza, per fare lavorare di più le vostre gambe. Dovrete ridurre la vostra velocità per mantenere la vostra frequenza cardiaca nella zona target.

Perdere peso

Qui il fattore importante è la quantità di sforzo che mettete. Più forte e a lungo lavorate e più calorie brucerete. In effetti è uguale a come se stesse allenandovi per migliorare la vostra forma, la differenza è l'obiettivo.

Frequenza cardiaca

Misurazione della frequenza cardiaca (fascia toracica)

⚠️ NOTA

- La fascia toracica non è di serie con questa macchina. Se si desidera utilizzare una fascia toracica wireless, è necessario acquistarla come accessorio.

La misurazione della frequenza cardiaca più accurata si ottiene tramite una fascia cardiaca. La misurazione viene effettuata da un ricevitore della frequenza cardiaca combinato con una fascia toracica trasmittente. Per un'accurata misurazione della frequenza cardiaca, gli elettrodi sulla fascia del trasmettitore devono essere leggermente umidi e costantemente a contatto con la pelle. Se gli elettrodi sono troppo asciutti o troppo bagnati, la misurazione della frequenza cardiaca diventa meno accurata.

⚠️ ATTENZIONE

- Se l'utente è portatore di pacemaker, consultare un medico prima di utilizzare una fascia toracica per la misurazione della frequenza cardiaca.

⚠️ AVVISO

- In presenza di numerosi dispositivi per la misurazione della frequenza cardiaca vicini, verificare che siano almeno ad una distanza di 1,5 metri uno dall'altro.
- In presenza di un solo ricevitore e numerosi trasmettitori di frequenza cardiaca, verificare che solo una persona con un trasmettitore sia all'interno del campo di trasmissione.

⚠️ NOTA

- Indossare sempre la fascia toracica sotto gli abiti a diretto contatto con la pelle. Non indossare la fascia toracica sopra gli abiti. Indossando la fascia toracica sopra gli abiti, non sarà trasmesso alcun segnale.

- Impostando un limite per la frequenza cardiaca, viene generato un allarme acustico al superamento di tale limite.
- Il trasmettitore trasmette la frequenza cardiaca alla console fino ad una distanza di 1 metro. Se gli elettrodi non sono umidi, la frequenza cardiaca non viene visualizzata sul display.
- Alcune fibre negli abiti (ad es. poliestere, poliammide) creano elettricità statica che può impedire un'accurata misurazione della frequenza cardiaca.
- Cellulari, TV e altri apparecchi elettrici creano un campo magnetico che può impedire un'accurata misurazione della frequenza cardiaca.

Massima frequenza cardiaca (durante l'allenamento)

La massima frequenza cardiaca è la frequenza cardiaca più elevata che una persona può raggiungere in sicurezza durante lo stress dell'allenamento. Per calcolare la massima frequenza cardiaca media, viene utilizzata la seguente formula: $220 - \text{ETÀ}$. La massima frequenza cardiaca varia da persona a persona.

⚠️ ATTENZIONE

- Porre attenzione a non superare la massima frequenza cardiaca durante l'allenamento. In caso di appartenenza ad un gruppo a rischio, consultare un medico.

Principianti

50-60% della massima frequenza cardiaca

Adatta per persone in fase di dieta dimagrante, principianti, convalescenti e per chi non fa esercizio da molto tempo. Allenarsi almeno tre volte alla settimana, per 30 minuti alla volta.

Livello avanzato

60-70% della massima frequenza cardiaca

Adatta per coloro che desiderano migliorare e mantenere la forma fisica. Allenarsi almeno tre volte alla settimana, per 30 minuti alla volta..

Esperti

70-80% della massima frequenza cardiaca

Adatta per le persone in perfetta forma fisica abituate ad allenamenti che richiedono molta resistenza.

Utilizzo

Come si effettua la vogata

	<p>Presca</p> <p>Piegarsi in avanti con la schiena e le braccia dritte mantenendo una posizione comoda.</p>
	<p>Voga</p> <p>Spingere con le gambe mentre le braccia rimangono dritte.</p>

	<p>Finale</p> <p>Tirare con le braccia e le gambe inclinando leggermente all'indietro il bacino.</p>
	<p>Recupero</p> <p>La parte superiore del corpo si piega in avanti sul bacino e si sposta in avanti.</p>
	<p>Presca</p> <p>Ritorno alla posizione di partenza per ricominciare da capo.</p>

Presca - Vogata

Iniziare la vogata piegandosi comodamente in avanti, quindi spingere con forza all'indietro con le gambe mantenendo braccia e schiena diritte.

Finale

Iniziare a tirare indietro le braccia facendole oltrepassare le ginocchia e continuare la vogata fino al suo completamento piegando leggermente all'indietro il bacino.

Recupero - Presca

Ritornare alla posizione di partenza e ripetere.

Console (Fig. D-1)



⚠ AVVISIO

- Non esporre la console alla luce solare diretta.
- Asciugare la superficie della console se è coperta da gocce di sudore.
- Non appoggiarsi sulla console.
- Toccare il display solo con la punta delle dita. Non toccare il display con le unghie o con oggetti appuntiti.

ℹ NOTA

- La console passa in modalità standby quando l'apparecchio non viene utilizzato per 4 minuti.

Spiegazione delle funzioni visualizzate

Time/ 500m

- Mostra il tempo necessario per eseguire un allenamento a 500 metri di distanza, in base all'intensità di vogata corrente.
- Intervallo: 0 ~ 99:00 min.

SPM

- SPM rappresenta le vogate al minuto e mostra le vogate medie al minuto durante l'allenamento.
- Intervallo di visualizzazione: 0 ~ 999

Distance (Distanza M)

- Se non viene impostato nessun valore target, la distanza verrà conteggiata normalmente.
- Se invece viene impostato un valore target, verrà fatto un conto alla rovescia partendo dalla distanza target fino ad arrivare allo 0, quando ci sarà un allarme sotto forma di segnale acustico o lampeggio.
- Intervallo: 0 ~ 99999 M. (± 100M.)

Time (Tempo)

- Se non viene impostato nessun valore target, il tempo verrà conteggiato normalmente.
- Se invece viene impostato un valore target, verrà fatto un conto alla rovescia partendo dal tempo target fino ad arrivare allo 0, quando ci sarà un allarme sotto forma di segnale acustico o lampeggio.
- Il tempo continuerà ad essere conteggiato se l'allenamento non viene interrotto una volta raggiunto l'obiettivo.
- Durante l'allenamento, se il monitor non riceve nessun segnale per 4 secondi, il tempo si FERMERÀ
- Intervallo: 0:00 ~ 99:59.

Strokes (Vogate)

- Visualizza il numero di vogate per l'allenamento attivo.
- Intervallo: 0 ~ 99999 /± 1 vogate.

Calories

- Se non viene impostato nessun valore target, le calorie verranno conteggiate normalmente.
- Se invece viene impostato un valore target, verrà fatto un conto alla rovescia delle calorie partendo dal valore target fino ad arrivare allo 0, quando ci sarà un allarme sotto forma di segnale acustico o lampeggio.
- Le calorie continueranno ad essere conteggiate se l'allenamento non viene interrotto una volta raggiunto l'obiettivo.
- Accumula automaticamente le calorie bruciate durante l'attività fisica.
- Intervallo: 0 ~ 9999 K.Calorie.

ℹ NOTA

- Questi dati sono una guida approssimativa per il confronto di diverse sessioni di allenamento e non possono essere usati nelle cure mediche.

Pulse (Battito cardiaco)

- Il battito corrente viene visualizzato dopo 6 secondi da quando viene rilevato dalla console.
- Se non viene rilevato alcun segnale per 6 secondi, la console visualizzerà "P".
- L'allarme del battito cardiaco suonerà se il battito corrente supera l'obiettivo stabilito.
- Intervallo: 0-30 ~ 230 BPM

WATT

- Visualizza i watt di allenamento correnti.
- Intervallo 0 ~ 999

Load (Carico)

- Mostra l'impostazione del livello della tensione, durante la regolazione della resistenza, per 3 secondi.
- Intervallo: 1 ~ 16

Spiegazione dei tasti**Reset**

- In modalità impostazione, premere una volta il tasto RESET per resettare i valori della funzione corrente.
- Premere il tasto RESET e tenerlo premuto per 2 secondi per resettare tutti valori delle funzioni

Start/Stop

- Avvio o arresto (pausa) dell'allenamento.

Recovery (Recupero)

- Una volta che la console avrà rilevato il battito, premere il tasto RECOVERY per entrare in modalità di recupero e monitorare la capacità di recupero della frequenza cardiaca

Up (Su)

- Aumenta il livello di resistenza durante l'allenamento.
- Selezione dell'impostazione.

Mode (Modalità)

- Conferma l'impostazione o la selezione.

Down (Giù)

- Diminuisce il livello di resistenza durante l'allenamento.
- Selezione dell'impostazione.

Funzionamento**Accensione**

- Per accendere il computer, collegare l'alimentatore.
- Premere un tasto qualsiasi per accendere la console quando è in modalità sospensione...
- In modalità sospensione, iniziare a pedalare per accendere la console.

Spegnimento

- Se non viene trasmesso alcun segnale al monitor per 4 minuti, questo entrerà in modalità SOSPENSIONE in automatico.
- Scollegare l'alimentazione per spegnere direttamente il computer.

Programmi**Avvio rapido**

- Premere il tasto "START/STOP" per iniziare l'allenamento senza alcuna impostazione predefinita.
- Utilizzare "UP/DOWN" per regolare il livello di resistenza durante l'allenamento.

Terminare l'allenamento

- Premere "START/STOP" in modalità allenamento per fermare/mettere in pausa l'allenamento.
Per riprendere l'allenamento, premere il tasto "START/STOP" in modalità pausa.
- Premere il tasto "RESET" per resettare la console. (I dati dell'allenamento attivo andranno persi)

Modalità Manual (manuale)

- Usare i tasti "UP/DOWN" per selezionare il programma di

allenamento, scegliere la modalità MANUALE e premere il tasto "MODE" per inserire l'impostazione successiva per il programma di modalità manuale.

- Utilizzare il tasto "UP/ DOWN" per impostare il tempo di allenamento predefinito e premere "MODE" per confermare l'impostazione.
- Una volta confermata, si possono anche impostare i parametri: Calorie, e Limite battito cardiaco.

🔔 NOTA

- Se si impostano più obiettivi, l'allenamento si concluderà al primo obiettivo raggiunto.
 - Se l'obiettivo viene lasciato vuoto, esso non verrà considerato come un limite preimpostato.
 - Non è possibile impostare insieme un obiettivo di Tempo e Distanza per un allenamento.
 - Il battito cardiaco non è un limite di fine allenamento, si sentirà un segnale acustico quando si supera costantemente il limite di BATTITO CARDIACO preimpostato.
- Premere il tasto START/STOP per iniziare l'allenamento.
 - Utilizzare il tasto "UP/DOWN" per regolare il livello di resistenza. Il livello di carico viene visualizzato nella finestra LOAD [CARICO].

Programma (Fig. F)

- Con il tasto "UP/ DOWN" selezionare la modalità PROGRAMMA e confermare con il tasto "MODE".
- Con il tasto "UP/ DOWN" selezionare un programma di allenamento, quindi premere "MODE" per confermare.
- Usare il tasto "UP/DOWN" per impostare il tempo, quindi premere "MODE" per confermare.
- Premere il tasto START / STOP per iniziare l'allenamento
- Usare il tasto "UP/DOWN" per regolare il livello di resistenza.

Modalità H.R.C.

- Usare il tasto "UP/ DOWN" per selezionare il programma di allenamento, scegliere H.R.C., premere "MODE" per confermare.
- Usare il tasto "UP/DOWN" per impostare l'età.
- Usare il tasto "UP/ DOWN" per selezionare 55%, 75%, 90%, TA.
55% = (220-età) x55%, 75% = (220-età) x75%
90% = (220-età) x90%, TA= Target (Predefinito =100) Usare i pulsanti "UP/ DOWN" per impostare il valore target.
Premere "MODE" per confermare.
- Usare il tasto "UP/DOWN" per impostare il tempo, premere MODE per confermare.
- Premere il tasto START / STOP per iniziare l'allenamento
- Utilizzare RESET per tornare al menu principale.

Modalità Race (gara.)

- Usare il tasto "UP/ DOWN" per selezionare il programma di allenamento, scegliere RACE [gara], premere "MODE" per confermare.
- Usare il tasto "UP/ DOWN" per impostare "Strokes per minutes" [vogate al minuto] per il computer simulator (Intervallo 10~95 ±5), premere "MODE" per confermare.
- Usare il tasto "UP/ DOWN" per impostare la distanza finale (Intervallo 100~9900 metri ±100) , premere "MODE" per confermare.
- Premere il pulsante "START/ STOP" per avviare la funzione di gara.

🔔 NOTA

- L'allenamento terminerà quando il PC o il giocatore (U) avrà finito per primo.

User (Utente)

- Usare il tasto "UP/ DOWN" per selezionare il programma di allenamento, scegliere User [utente], quindi premere "MODE" per confermare.

- Con il tasto "UP/ DOWN" impostare il livello di tensione per il segmento del primo profilo. (Intervallo 1~16), premere "MODE" per confermare.
- Ripetere questo passaggio anche per tutti gli altri segmenti.
- Una volta programmato l'intero profilo, tenere premuto per 2 secondi il tasto "MODE" per confermare.
- Usare il tasto "UP/DOWN" per impostare il tempo, premere MODE per confermare.
- Premere il tasto START/STOP per iniziare l'allenamento.
- Utilizzare RESET per tornare al menu principale.

Recovery (Recupero)

- Il tasto RECUPERO è valido esclusivamente se vengono rilevati battiti.
- Il TEMPO visualizzerà "0:60" (secondi) e verrà eseguito il conto alla rovescia fino a 0.
- Il computer visualizzerà da F1 a F6 dopo il conto alla rovescia per verificare lo stato di recupero della frequenza cardiaca. L'utente può trovare il livello di recupero della frequenza cardiaca in base al grafico sottostante.
- Premere nuovamente il tasto RECOVERY per tornare alla schermata precedente.

F1	Eccezionale
F2	Eccellente
F3	Buono
F4	Normale
F5	Sotto la media
F6	Scarso

Risoluzione dei problemi:

- In assenza di segnale quando si pedala, controllare che il cavo sia connesso.

🔔 NOTA

- Se si interrompe l'allenamento per 4 minuti, la schermata principale si spegnerà.
- Se il computer visualizza informazioni in modo anomalo, reinstallare il trasformatore e riprovare.

Bluetooth & APP

- Questa console può collegare una APP al dispositivo smart tramite Bluetooth (iOS & Android).
- Una volta che la console è collegata al dispositivo smart tramite Bluetooth, la console si spegnerà.

🔔 NOTA

- Tunturi fornisce solo l'opzione per collegare la vostra console fitness tramite un collegamento bluetooth. Quindi Tunturi non può essere ritenuta responsabile di eventuali danni o malfunzionamento di prodotti che non siano prodotti Tunturi.
- Controllare il sito web per ulteriori informazioni.

Pulizia e manutenzione

L'apparecchio non richiede manutenzione speciale. L'apparecchio non richiede ricalibrazione quando viene assemblato, utilizzato e sottoposto a assistenza in conformità con le istruzioni.

⚠️ ATTENZIONE

- Prima di qualsiasi intervento di pulizia e manutenzione, rimuovere l'adattatore.
- Non utilizzare solventi per pulire l'apparecchio.

- Pulire l'apparecchio con un panno morbido e assorbente dopo ogni uso.
- Verificare regolarmente che tutte le viti e i dadi siano serrati.
- Se necessario, lubrificare i raccordi.
- Se necessario, pulire l'interno della guida in modo che il sedile possa muoversi il più uniformemente e silenziosamente possibile. Se lo si desidera, è possibile migliorare il movimento del sedile rivestendo la paraffina all'interno delle rotaie.

Disturbi durante l'uso

Nonostante un continuo controllo della qualità, l'attrezzatura potrebbe talvolta presentare difetti e malfunzionamenti, causati da qualche singolo componente. Nella maggior parte dei casi, non c'è bisogno di mettersi a far riparare tutta l'attrezzatura, ma generalmente basta sostituire il pezzo o la parte difettosa.

Se l'attrezzo non funziona bene durante l'uso o se si ha bisogno dei pezzi di ricambio, contatta il tuo rivenditore Tunturi indicando di che cosa si tratta, le condizioni in cui la usi, la data di acquisto, il modello e il numero di serie del tuo attrezzo. Si raccomanda di utilizzare sempre pezzi di ricambio originali.

Se c'è bisogno di pezzi di ricambio, è necessario sempre indicare il modello, il numero di serie della macchina e il codice del pezzo di ricambio necessario. L'elenco dei pezzi di ricambio si trova sul retro di questo manuale. Utilizzare solo i pezzi di ricambio indicati nell'elenco.

Il telecomando non funziona

Se il telecomando integrato nel manubrio non funziona più, probabilmente non è più associato.

Per ristabilire la connessione fra l'unità di comando del tuo manubrio e il tuo display, il manubrio deve essere alimentato dalla batteria prima della console del vogatore. Quindi:

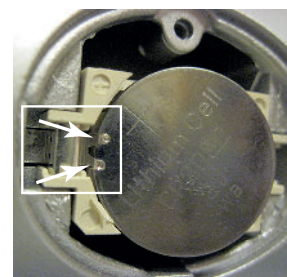
1. Scollegare il trasformatore del vogatore.
2. Aprire il vano batteria nella parte posteriore del manubrio e togliere la batteria CR2032 dal manubrio. (attendere 2 secondi)
3. Reinstallare la batteria CR2032 e richiudere il coperchietto.
4. Collegare il trasformatore del vogatore e attendere almeno 10 secondi (se non si attendono i 10 sec la procedura fallirà).
5. Provare se funziona, premendo il pulsante avvio sul display e usando i tasti su/giù sul telecomando per vedere se questo può regolare il livello di tensione.

Questo dovrebbe ripristinare nuovamente il collegamento.

Se il telecomando integrato nel manubrio continua a non funzionare, è probabile che la batteria nel manubrio sia scarica. Sostituire la batteria CR2032 con una nuova.

🔔 NOTA

- Quando si installa la batteria CR2032, accertarsi di inserirla correttamente per evitare che la polarità della batteria non sia sbagliata.
- Accertarsi che il gancetto in metallo sia sopra la batteria come indicato nell'immagine.
- Polarità: - faccia in giù e + faccia in su



Rulli cigolanti.

- Quando le ruote troppo rumore mentre si sposta, applicare 2cc. di lubrificante per entrambe le rotaie.

⚠ ATTENZIONE

- Si consiglia di utilizzare un lubrificante a base di silicone.
- Eccessiva di lubrificante può suolo il danno tappeto o polvere può causare. Eliminare in modo abbondante di lubrificante con un panno asciutto.

Trasporto e stoccaggio

⚠ AVVISO

- Per portare e spostare l'attrezzatura sono necessarie almeno due persone.
- Rimanere in piedi davanti all'attrezzatura su ciascun lato e afferrare saldamente il manubrio. Inclinare la parte anteriore dell'attrezzatura in modo da sollevare la parte posteriore dell'attrezzatura sulle ruote. Spostare l'attrezzatura e appoggiarla a terra facendo attenzione. Posizionare l'attrezzatura su una base protettiva per impedire danni alla superficie del pavimento.
- Spostare l'attrezzatura con attenzione su superfici non uniformi. Non spostare l'attrezzatura sulle scale utilizzando le ruote, ma trasportarla utilizzando le maniglie.
- Conservare l'attrezzatura in un luogo asciutto con la minor variazione di temperatura possibile.

Piegatura

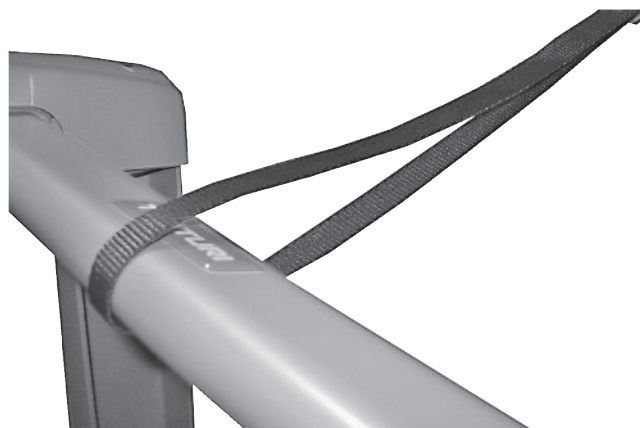
- Allentare il perno di blocco sotto il telaio anteriore, premere il telaio anteriore leggermente verso il basso e tirare il perno di blocco verso l'alto.
- Aprire il chiavistello sul lato sinistro premendo la linguetta sul lato. Contemporaneamente, sollevare il telaio anteriore.



- Abbassare con attenzione il telaio anteriore tra le guide. Assicurarsi che il telaio anteriore sia bloccato.
- Afferrare la sbarra nella parte posteriore del vogatore e sollevare il dispositivo in posizione eretta in modo che venga supportato dalle gambe di supporto anteriori.

⚠ NOTA

- Conservare il vogatore in posizione di stoccaggio contro una parete in modo tale che il telaio anteriore non cada accidentalmente addosso a qualcuno.



⚠ ATTENZIONE

- Il dispositivo viene spedito con un anello e un gancio per fissare il vogatore correttamente in posizione di stoccaggio.

Scegliere una sede di stoccaggio appropriata per il vogatore accanto a una parete e collegare il gancio saldamente alla parete all'altezza corretta. Sollevare il vogatore alla posizione di stoccaggio davanti al gancio. Collegare l'anello fornito con il vogatore attorno alla barra e collegare l'anello al gancio. Non salire sul vogatore mentre è in posizione di stoccaggio!

Informazioni aggiuntive

Smaltimento dell'imballo

Le linee guide governative chiedono di ridurre la quantità di rifiuti smaltiti nelle discariche. Per questo vi chiediamo di smaltire in modo responsabile tutti i rifiuti d'imballo presso dei centri di riciclaggio pubblici.

Smaltimento a fine vita

Noi di Tunturi speriamo che possiate godervi molti anni di piacevole uso dal nostro fitness trainer. Tuttavia, arriverà il momento quando il vostro fitness trainer arriverà alla fine della sua vita utile. Secondo la Legislazione Europea WEEE voi siete responsabili per uno smaltimento appropriato del vostro fitness trainer presso una struttura di raccolta pubblica autorizzata.

Dati tecnici

Parametro	Unità di misura	Valore
Ricevitore per la frequenza cardiaca telemetrico	Contatto con la mano 5.3~ 5.4 Khz. Bluetooth (BLE) ANT+	<input checked="" type="checkbox"/> <input checked="" type="checkbox"/> <input checked="" type="checkbox"/> <input checked="" type="checkbox"/>
Lunghezza	cm inch	197 77,6
Larghezza	cm inch	50 19.7
Altezza	cm inch	66 26
Peso	kg lbs	46.4 102.3
Peso massimo utente	kg lbs	135 300
Adattatore Tensione Corrente	V Ma.	9V-DC 1,5 A.

Garanzia

Garanzia dell'attrezzo sportivo Tunturi

Condizioni di garanzia

Il consumatore è tutelato da tutti i diritti previsti dalla legislazione nazionale e riguardanti l'acquisto di beni di consumo. Questi diritti fondamentali non sono limitati dalle condizioni di garanzia. La garanzia entra in vigore solo se l'attrezzo in questione prodotto dall'azienda Tunturi Ltd. viene utilizzato in linea con le condizioni ambientali d'uso specificate dal fabbricante. Le condizioni ambientali d'uso degli attrezzi son

Condizioni per la garanzia

La garanzia entra in vigore dalla data dell'acquisto dell'attrezzo. Le condizioni per la garanzia possono variare in funzione del paese. Rivolgersi al rivenditore di zona per maggiori informazioni sulle condizioni per la garanzia.

Copertura della garanzia

L'azienda Tunturi Ltd ed i suoi rappresentanti non rispondono per nessun motivo dei danni indiretti causati all'acquirente dall'attrezzo. Per danni indiretti s'intendono quelli relativi al mancato sfruttamento dell'attrezzo, mancato guadagno o altri danni di natura economica.

Limiti di garanzia

La garanzia copre i difetti di materiale e fabbrica dell'attrezzo che si manifestano subito dopo l'acquisto. La garanzia copre solo i difetti che si manifestano durante l'uso normale e conforme alle istruzioni del manuale di installazione, manutenzione ed uso fornito da Tunturi. L'azienda Tunturi Ltd ed i suoi rivenditori non rispondono dei danni causati da eventi al di fuori del loro controllo. La garanzia riguarda solo il proprietario originario dell'attrezzo ed è in vigore solo in quei paesi in cui Tunturi Ltd dispone di un proprio rappresentante autorizzato.

La garanzia non copre i difetti di quegli attrezzi o componenti che sono stati modificati senza l'espressa autorizzazione del fabbricante Tunturi Ltd. La garanzia non copre i difetti causati dalla normale usura, da un uso in condizioni non previste, dalla corrosione, dalla movimentazione e dal trasporto.

La garanzia non copre rumori o suoni emessi durante l'uso a meno che non impediscano l'uso dell'attrezzo e che non siano causati da un guasto all'attrezzo stesso.

La garanzia non comprende nemmeno i normali interventi di servizio dell'attrezzo, come per esempio la pulizia, lubrificazione, controllo periodico dei componenti né le piccole installazioni che può effettuare il cliente stesso e che non richiedono lo smontaggio/montaggio dell'attrezzo. Questi interventi sono, per esempio, la sostituzione del pannello, dei pedali o di altri componenti analoghi.

La garanzia non copre gli interventi di riparazione previsti, se non vengono eseguiti da un rappresentante autorizzato Tunturi. Se sbagliate a seguire le istruzioni del manuale d'uso, decade subito la garanzia sul prodotto.

Dichiarazione del fabbricante

Tunturi New Fitness BV dichiara che questo prodotto è conforme ai seguenti standard e direttive: EN 957 (HB), 2014/30/EU.

Pertanto sul prodotto è apposto il marchio CE.

07-2020

Tunturi New Fitness BV

Purmerweg 1

1311 XE Almere

Paesi Bassi

Dichiarazione di non responsabilità

© 2020 Tunturi New Fitness BV

Tutti i diritti riservati.

- Il prodotto e il manuale sono soggetti a modifiche.
- Le specifiche tecniche possono essere modificate senza preavviso.
- Vedere il nostro sito Web per la versione del manuale più recente.

Español

Este manual español es una traducción del texto inglés. No se pueden derivar derechos de esta traducción. El texto original en inglés prevalecerá.

Índice

Remo	48
Advertencias de seguridad	48
Seguridad eléctrica	48
Instrucciones de montaje	49
Descripción	49
Montaje (fig. B)	49
Fuente de alimentación (Fig. C).....	49
Prepare el control de la empuñadura (fig. E)	49
Sesiones de ejercicio	49
Ejercicio Instrucciones.....	49
Del ritmo cardíaco	50
Uso	50
Como remar	50
Consola (fig D-1)	51
Explicación de las funciones de la pantalla	51
Explicación de los botones.....	51
Funcionamiento	52
Programas.....	52
Bluetooth & APP	53
Limpieza y mantenimiento	53
Defectos De Funcionamiento	53
El mando a distancia no funciona.....	53
Rodillos chirriantes.....	53
Transporte y almacenamiento	54
Información adicional.....	54
Datos técnicos	54
Garantía	55
Declaración del fabricante	55
Descargo de responsabilidad	55

Remo

¡Bienvenido al mundo de Tunturi Fitness!

Le agradecemos la compra de esta máquina Tunturi. Tunturi ofrece una amplia gama de máquinas de fitness profesionales como bicicletas elípticas, cintas de correr y bicicletas de ejercicio. La máquina Tunturi es adecuada para toda la familia, independientemente del nivel de forma física. Si desea información adicional, visite nuestro sitio web www.tunturi.com

Información y precauciones

Lea atentamente esta guía antes del montaje, uso o mantenimiento de su equipo de ejercicio. Mantenga esta guía en lugar seguro; le brindará hoy y en el futuro la información que necesite para usar y mantener su equipo. Siga siempre atentamente sus instrucciones.

Advertencias de seguridad

⚠ ADVERTENCIA

- Lea las advertencias de seguridad y las instrucciones. De no seguirse las advertencias de seguridad y las instrucciones pueden producirse lesiones personales o daños en la máquina. Conserve las advertencias de seguridad y las instrucciones para su consulta posterior.

⚠ ADVERTENCIA

- Los sistemas de motorización de frecuencia cardíaca pueden ser imprecisos. Un exceso de ejercicio puede provocar lesiones graves o incluso la muerte. Si se siente mareado, deje de hacer ejercicio inmediatamente.

- La máquina es adecuada únicamente para uso doméstico. La máquina no es adecuada para un uso comercial.
- El uso máx. Está limitado a 5 horas al día.
- El uso de esta máquina por niños o por personas con una discapacidad física, sensorial o motora, o falta de experiencia y conocimientos, puede dar lugar a situaciones de riesgo. Las personas responsables de su seguridad deben dar instrucciones explícitas o supervisar el uso de la máquina.
- Antes de empezar a hacer ejercicio, consulte con un médico para comprobar su estado de salud.
- Si experimenta náuseas, mareos u otros síntomas anormales, deje de hacer ejercicio inmediatamente y consulte con un médico.
- Para evitar dolor y tensión muscular, realice un calentamiento antes de empezar a hacer ejercicio y termine haciendo relajación. Recuerde hacer estiramientos al final de la sesión de ejercicio.
- La máquina es adecuada únicamente para uso en interior. La máquina no es adecuada para un uso en exterior.
- Utilice la máquina únicamente en lugares con una ventilación adecuada. No utilice la máquina en lugares donde haya corriente para no resfriarse.
- Utilice la máquina únicamente en lugares con una temperatura ambiente entre 10 °C y 35 °C. Almacene la máquina únicamente en lugares con una temperatura ambiente entre 5 °C y 45 °C.
- No utilice ni almacene la máquina en espacios húmedos. La humedad del aire no debe ser superior al 80%.
- Utilice la máquina sólo para su uso previsto. No la utilice para otros fines que no sean los descritos en el manual.
- La máquina no debe utilizarse si alguna de las piezas ha sufrido daños o tiene algún defecto. Contacte con su proveedor si alguna de las piezas ha sufrido daños o tiene algún defecto.
- Mantenga las manos, los pies y demás partes del cuerpo alejadas de las piezas móviles.
- Mantenga el pelo alejado de las piezas móviles.
- Lleve ropa y calzado adecuado.
- Mantenga la ropa, las joyas y otros objetos alejados de las piezas móviles.
- Asegúrese de que sólo una persona utilice la máquina cada vez. La máquina no debe ser utilizada por personas cuyo peso supere los 135 kg (300 lbs).
- No abra la máquina sin consultar con su proveedor.

Seguridad eléctrica

(Aplicable sólo para máquinas con limitación eléctrica)

- Antes del uso, compruebe siempre que la tensión de red sea la misma que la tensión indicada en la placa de características de la máquina.
- No utilice un cable alargador.
- Mantenga el cable de red alejado del calor, de aceite y de bordes afilados.

- No altere ni modifique el cable de red o el enchufe de red.
- No utilice la máquina si el cable de red o el enchufe de red ha sufrido daños o tiene algún defecto. Si el cable de red o el enchufe de red ha sufrido daños o tiene algún defecto, contacte con su proveedor.
- Desenrolle siempre el cable de red en su totalidad.
- No pase el cable de red debajo de la máquina. No pase el cable de red debajo de una alfombra. No coloque ningún objeto sobre el cable de red.
- Asegúrese de que el cable de red no cuelgue sobre el borde de una mesa. Asegúrese de que el cable de red no quede atrapado y que no sea posible tropezarse con él.
- No deje la máquina desatendida cuando el enchufe de red esté insertado en la toma de pared.
- No tire del cable de red para sacar el enchufe de la toma de pared.
- Retire el enchufe de red de la toma de pared cuando la máquina no se esté utilizando, antes del montaje o el desmontaje o antes de la limpieza y el mantenimiento.

Instrucciones de montaje

Descripción

El remo es una máquina estacionaria de fitness que se utiliza para simular la acción de remar sin generar una presión excesiva en las articulaciones.

Montaje (fig. B)

⚠ ADVERTENCIA

- Si falta una pieza, contacte con su proveedor.
- Al menos dos personas deben transportar y mover la máquina.

⚠ PRECAUCIÓN

- Coloque la máquina sobre una superficie firme y nivelada.
 - Coloque la máquina sobre una base protectora para evitar daños en la superficie del suelo.
 - Deje unos 100 cm de espacio alrededor de la máquina.
- El aparato de remo se envía en posición de bloqueo para su almacenamiento.
 - Tire del sillín hacia atrás.
 - Tire del tubo frontal plegado en el marco hacia arriba y hacia adelante.
 - Tire del pasador de seguridad hacia arriba y, al mismo tiempo, presione el marco frontal hacia abajo con la tapa del cable de tracción.
 - Suelte el pasador y asegúrese de que el marco frontal queda bloqueado hacia adelante.
 - Apriete siempre el pasador antes de empezar a hacer ejercicio.

Ajuste el medidor para conseguir el ángulo adecuado para realizar el ejercicio.

Fuente de alimentación (Fig. C)

El entrenador se alimenta desde una fuente de alimentación externa.

🔌 NOTA

- Conecte la fuente de alimentación al entrenador antes de enchufarlo a una toma de corriente de la pared.
- Quite siempre el cable de alimentación cuando
- no utilice la máquina.

Prepare el control de la empuñadura (fig. E)

Para evitar que la batería se agote durante el transporte y el almacenamiento, hemos aplicado una tira de aislamiento de la batería en la unidad de control de la empuñadura.

Esto debe sacarse, con un movimiento cuidadoso pero suave, antes de usar los controles de agarre manual.

Sesiones de ejercicio

La sesión de ejercicio debe ser ligera, pero de larga duración. El ejercicio aeróbico se basa en mejorar el consumo de oxígeno máximo del cuerpo, lo que a su vez mejora la resistencia y la forma física. Debe transpirar, pero no debe quedarse sin aliento durante la sesión de ejercicio. Para lograr y mantener un nivel de forma física básico, debe realizar ejercicio al menos tres veces a la semana, 30 minutos cada vez. Aumente el número de sesiones de ejercicio para mejorar su nivel de forma física. Vale la pena combinar el ejercicio regular con una dieta sana. Una persona que se encuentre a dieta debe realizar ejercicio a diario, al principio 30 minutos o menos cada vez, aumentando gradualmente el tiempo de ejercicio diario hasta una hora. Empiece la sesión de ejercicio a velocidad baja y resistencia baja para evitar que el sistema cardiovascular se vea sometido a una tensión excesiva. A medida que mejore el nivel de forma física, pueden aumentarse gradualmente la velocidad y la resistencia. La eficiencia de su ejercicio puede medirse supervisando su frecuencia cardíaca y sus pulsaciones.

Ejercicio Instrucciones

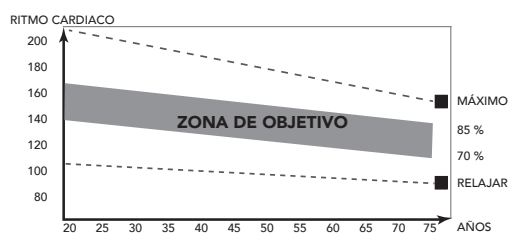
El uso de su entrenador le aportará muchas ventajas, mejorará su tono físico, tonificará los músculos y, combinado con una dieta con un consumo controlado de calorías, le ayudará a perder peso.

Fase de calentamiento

Esta fase mejora la circulación y favorece el buen funcionamiento de los músculos. Asimismo, reduce el riesgo de calambres y de lesiones musculares. Es conveniente realizar una serie de ejercicios de estiramiento, como se muestra más abajo. Al estirar se debe mantener la posición durante unos 30 segundos; no fuerce los músculos ni realice movimientos bruscos para estirarlos, si duele, PARE inmediatamente.

Fase de ejercicio

Esta es la fase de esfuerzo. Tras un uso regular, los músculos de las piernas irán ganando flexibilidad. Es importante mantener un ritmo estable durante toda esta fase. El ejercicio debe ser lo suficientemente fuerte como para incrementar el ritmo cardíaco hasta el objetivo que se muestra en el siguiente cuadro.



Esta fase debe tener una duración mínima de 12 minutos, aunque la mayoría de las personas empiezan a los 15-20 minutos.

Fase de enfriamiento

La finalidad de esta fase es permitir que se relaje el sistema cardiovascular y los músculos. Es una repetición del ejercicio de calentamiento, por lo que debe ir reduciendo el ritmo de manera

constante durante unos 5 minutos. En este momento debe repetir también los ejercicios de estiramiento, evitando de nuevo forzar los músculos o hacer movimientos bruscos.

A medida que vaya mejorando su forma física, es posible que el entrenamiento tenga que ser más largo e intenso. Es aconsejable entrenarse al menos tres veces a la semana, espaciando de manera uniforme, en la medida de lo posible, los entrenamientos durante la semana.

Tonificación muscular

Si quiere tonificar los músculos mientras trabaja con el aparato, deberá ajustar la resistencia en un nivel bastante alto. Así aumentará la tensión sobre los músculos de las piernas, con lo que es posible que no pueda entrenarse durante todo el tiempo que le gustaría. Si quiere mejorar su condición física, tendrá que modificar también el programa de entrenamiento. El entrenamiento durante las fases de calentamiento y enfriamiento será igual, pero debe aumentar la resistencia hacia el final de la fase de ejercicio para incrementar el esfuerzo del tren inferior. Tendrá que reducir la velocidad para mantener el ritmo cardíaco en la zona objetivo.

Pérdida de peso

El factor determinante en este sentido es el esfuerzo realizado. Cuanto más intenso y prolongado sea el ejercicio físico, más calorías quemará. En realidad, es lo mismo que si se entrenara para mejorar la condición física, lo que cambia es el objetivo.

Del ritmo cardíaco

Medición de la frecuencia cardíaca (correa en el pecho para la frecuencia cardíaca)

La medición más precisa de la frecuencia cardíaca se logra con una correa en el pecho para la frecuencia cardíaca. La frecuencia cardíaca se mide con un receptor de frecuencia cardíaca en combinación con una correa transmisora de la frecuencia cardíaca. Para una medición precisa de la frecuencia cardíaca es necesario que los electrodos de la correa transmisora estén ligeramente húmedos y que toquen constantemente la piel. Si los electrodos están demasiado secos o demasiado húmedos, la medición de la frecuencia cardíaca puede resultar menos precisa.

⚠ ADVERTENCIA

- Si usted tiene un marcapasos, consulte con un médico antes de utilizar una correa en el pecho para la frecuencia cardíaca.

⚠ PRECAUCIÓN

- Si hay varios dispositivos de medición de frecuencia cardíaca en proximidad, asegúrese de que la distancia entre ellos sea de al menos 2 metros.
- Si sólo hay un receptor de frecuencia cardíaca y varios transmisores, asegúrese de que sólo una persona con un transmisor se encuentre en la zona de transmisión.

📌 NOTA

- Lleve siempre la correa en el pecho para la frecuencia cardíaca debajo de la ropa, en contacto directo con la piel. No lleve la correa en el pecho para la frecuencia cardíaca por encima de la ropa. Si lleva la correa en el pecho para la frecuencia cardíaca por encima de la ropa, no habrá señal.
- Si define un límite de frecuencia cardíaca para su sesión de ejercicio, cada vez que éste se supere sonará una alarma.
- El transmisor transmite la frecuencia cardíaca a la consola hasta una distancia de 1,5 metro. Si los electrodos no están húmedos, la frecuencia cardíaca no aparece en la pantalla.
- Algunas fibras de la ropa (p. ej. poliéster, poliamida) generan electricidad estática, la cual puede impedir la medición precisa de la frecuencia cardíaca.

- Los teléfonos móviles, las televisiones y otros aparatos eléctricos generan un campo electromagnético que puede impedir la medición precisa de la frecuencia cardíaca.

Frecuencia cardíaca máxima (durante el entrenamiento)

alcanzar una persona de forma segura por la tensión del ejercicio. Se utiliza la siguiente fórmula para calcular la frecuencia cardíaca máxima media: $220 - \text{EDAD}$. La frecuencia cardíaca máxima varía según la persona.

⚠ ADVERTENCIA

- Asegúrese de no superar la frecuencia cardíaca máxima durante la sesión de ejercicio. Si usted se encuentra en un grupo de riesgo, consulte con un médico.

Principiante

50-60% de frecuencia cardíaca máxima

Adecuada para principiantes, personas que cuidan la línea, convalecientes y personas que no han hecho ejercicio en mucho tiempo. Haga ejercicio al menos tres veces a la semana, 30 minutos cada vez.

Avanzado

60-70% de frecuencia cardíaca máxima

Adecuada para personas que desean mejorar y mantener la forma física. Haga ejercicio al menos tres veces a la semana, 30 minutos cada vez.

Experto

70-80% de frecuencia cardíaca máxima

Adecuado para personas con muy buena forma física que están acostumbradas a sesiones de ejercicio de gran resistencia.

Uso

Como remar

	Capturar Cómodamente hacia delante con la espalda y brazos rectos..
	Manejar Empujar con las piernas mientras los brazos permanecen rectos.
	Finalizar Tire a través de sus brazos y piernas balanceándose ligeramente hacia atrás de su pelvis.

	<p>Recuperar</p> <p>Es aconsejable llevar la parte superior del cuerpo sobre su pelvis y moverse hacia delante.</p>
	<p>Capturar</p> <p>Volver a la posición de inicio y comenzar de nuevo.</p>

Capturar – Manejar

Comenzar la remada confortablemente en posición hacia delante y empujar hacia atrás con sus piernas mientras mantiene sus brazos y espalda rectos.

Finalizar

Comenzar a empujar sus brazos hacia atrás hasta que rebasen sus rodillas y continuar la remada hasta la finalización de balanceo ligero hacia atrás de su pelvis.

Recuperar – Capturar

Volver a la posición de inicio y repetir.

Consola (fig D-1)



⚠ PRECAUCIÓN

- Mantenga la consola alejada de la luz solar directa.
- Seque la superficie de la consola cuando esté cubierta de gotas de sudor.
- No se apoye en la consola.
- Toque la pantalla únicamente con la punta del dedo. Asegúrese de no tocar la pantalla con las uñas ni objetos afilados.

📢 NOTA

- La consola pasa al modo de espera activa cuando la máquina no se usa durante 4 minutos.

Explicación de las funciones de la pantalla

Time/ 500m

- Muestra el tiempo necesario para recorrer una distancia de 500 metros basándose en la intensidad actual.
- Rango: 0 ~ 99:00 min.

BPM (SPM)

- BPM significa brazadas por minuto y muestra la media de brazadas por minuto durante la sesión.
- Rango de visualización: 0 ~ 999

Distancia M

- Si no se define un valor objetivo, la distancia se medirá en modo ascendente.
- Si se define un valor objetivo, la distancia se reducirá desde la distancia objetivo hasta 0 con un sonido de alarma o un parpadeo.
- Rango: 0 ~ 99999 m (\pm 100 m)

Tiempo

- Si no se define un valor objetivo, el tiempo contará hacia delante.
- Si se define un valor objetivo, el tiempo contará de forma regresiva desde el tiempo objetivo hasta 0 y la alarma sonará o parpadeará. El tiempo seguirá contando si el entrenamiento no se detiene después de alcanzar el objetivo.
- Si no se transmite señal alguna al monitor en un plazo de cuatro segundos durante la sesión, el tiempo se detendrá
- Rango: 0:00 ~ 99:59.

Zancadas

- Muestra el número de zancadas del entrenamiento activo.
- Rango: 0 ~ 99999 / \pm 1 zancadas.

Calorías

- Si no se define un valor objetivo, las calorías se irán sumando.
- Si se define un valor objetivo, las calorías se irán descontando desde las calorías objetivo hasta 0 con un sonido de alarma o un parpadeo.
- Las calorías se seguirán sumando si no se detiene el entrenamiento después de alcanzar el objetivo.
- Acumula automáticamente las calorías quemadas al hacer ejercicio.
- Rango: 0 ~ 9999 Kcal.

¡ATENCIÓN!

- Estos datos sirven DE guía para comparar sesiones distintas de ejercicio que no se pueden utilizar en tratamientos médicos.

Pulso

- El pulso se mostrará en la pantalla a los 6 segundos de que lo detecte la consola.
- Si no hay señal de pulso durante 6 segundos, la consola mostrará "P".
- La alarma de pulso sonará cuando el pulso actual esté por encima del pulso objetivo.
- Rango: 0-30 ~ 230 lpm

VATIOS

- Muestra los vatios de entrenamiento actuales.
- Rango 0 ~ 999

Carga

- Muestra el ajuste del nivel de tensión cuando se ajusta la resistencia, durante 3 segundos.
- Rango: 1 ~ 16

Explicación de los botones

Reset

- En el modo de ajuste, pulse la tecla RESET una vez para restablecer a cero los datos de funcionamiento actuales.
- Pulse la tecla RESET durante 2 segundos para restablecer a cero todos los datos de la función

Start/Stop

- Inicia o detiene (hace una pausa en) el entrenamiento.

Recovery

- Después de que la consola detecte la señal de pulso, pulse la tecla RECOVERY para entrar en el modo de recuperación para controlar la capacidad de recuperación de la frecuencia cardíaca

Up

- Aumenta el nivel de resistencia durante el entrenamiento.
- Selección de ajustes.

Mode

- Confirma el ajuste o la selección.

Down

- Reduce el nivel de resistencia durante el entrenamiento.
- Selección de ajustes.

Funcionamiento**Encendido**

- Enchufe la fuente de alimentación para encender el ordenador.
- Pulse cualquier tecla para encender la consola cuando esta esté en modo descanso.
- Empiece a pedalear para encender la consola cuando esta esté en modo de descanso.

Apagado

- Si no se transmite ninguna señal al monitor durante 4 minutos, este se pondrá automáticamente en modo DESCANSO.
- Desconecte la fuente de alimentación para apagar el ordenador de inmediato.

Programas**Inicio rápido**

- Pulse la tecla "START/STOP" (inicio/parada) para iniciar el entrenamiento sin ningún ajuste predeterminado.
- Use "UP/DOWN" (arriba/abajo) para ajustar el nivel de resistencia durante el entrenamiento.

Fin del entrenamiento

- Pulse "START/STOP" en el modo de entrenamiento para detener o hacer una pausa en la sesión.
Para reanudar el entrenamiento, pulse el botón "START/STOP" en el modo de pausa.
- Pulse la tecla "RESET" para reiniciar la consola. (Se perderán los datos del entrenamiento activo)

Modo manual

- Utilice la tecla "UP/DOWN" para seleccionar el programa de entrenamiento, elija el modo MANUAL y pulse la tecla "MODE" para entrar en la siguiente entrada de configuración del programa de modo manual.
- Utilice la tecla "UP/DOWN" para preestablecer el tiempo de entrenamiento, y pulse "MODE" para confirmar el ajuste.
- Después de confirmar, también se podrá definir: Calorías y Límite de pulso.

⚠ ATENCIÓN

- Cuando defina más de un objetivo, el entrenamiento se terminará en cuanto se alcance el primer objetivo.
- Si deja un objetivo en blanco, no se considerará como un límite predeterminado.
- No se podrá establecer un objetivo de Tiempo y Distancia al mismo tiempo para un entrenamiento.

- El pulso no es un límite para terminar un entrenamiento, se escuchará un pitido cuando se exceda constantemente el límite predefinido de PULSO.

- Pulse la tecla "START/STOP" para iniciar la sesión
- Use la tecla "UP/DOWN" para ajustar el nivel de resistencia. El nivel de carga se muestra en la ventana de CARGA.

Programa (Fig. F)

- Utilice la tecla "UP/DOWN" para seleccionar el modo PROGRAMA y confirme con la tecla "MODE".
- Utilice la tecla "UP/DOWN" para seleccionar un programa de entrenamiento, pulse "MODE" para confirmar.
- Utilice la tecla "UP/DOWN" para ajustar la hora, pulse "MODE" para confirmar.
- Pulse la tecla START/STOP para iniciar la sesión
- Use la tecla "UP/DOWN" para ajustar el nivel de resistencia.

Modo H.R.C.

- Use la tecla "UP/DOWN" (arriba/abajo) para seleccionar el programa de entrenamiento, elija H.R.C., pulse "MODE" para confirmar.
- Use la tecla "UP/DOWN" para definir la edad.
- Use la tecla "UP/DOWN" para seleccionar 55%, 75%, 90%, TA.
55% = (220-edad) x 55%, 75% = (220-edad) x 75%
90% = (220-edad) x 90%, TA= Objetivo (predeterminado=100)
Use los botones "UP/ DOWN" para fijar el valor objetivo.
Pulse "MODE" para confirmar.
- Utilice la tecla "UP/DOWN" para ajustar la hora, pulse MODE para confirmar.
- Pulse la tecla START/STOP para iniciar la sesión
- Use RESET para volver al menú principal.

Modo Carrera.

- Use la tecla "UP/DOWN" para seleccionar el programa de entrenamiento, elija "RACE" (carrera), pulse "MODE" para confirmar.
- Utilice la tecla "UP/DOWN" para ajustar "Zancadas por minuto" para el simulador del ordenador (Rango 10~95 ±5), pulse "MODE" para confirmar.
- Utilice la tecla "UP/DOWN" para ajustar la distancia final (Rango 100~9900 metros ±100), pulse "MODE" para confirmar.
- Pulse el botón "START/STOP" para iniciar la función de carrera.

⚠ ATENCIÓN

- El entrenamiento terminará cuando el PC o tu jugador (U) haya llegado al final primero.

Usuario

- Utilice la tecla "UP/DOWN" para seleccionar el programa de entrenamiento, elija "User", pulse "MODE" para confirmar.
- Use la tecla "UP/DOWN" para establecer el nivel de tensión para el primer segmento del perfil. (Rango 1~16), pulse "MODE" para confirmar.
- Repita este paso para todos los demás segmentos.
- Cuando se programe el perfil completo, mantenga pulsado "MODE" durante 2 segundos para confirmar.
- Utilice la tecla "UP/DOWN" para ajustar la hora, pulse MODE para confirmar.
- Pulse la tecla START/STOP para iniciar la sesión
- Use RESET para volver al menú principal.

Recovery

- La tecla RECOVERY (recuperación) solo servirá si se detecta el pulso.
- TIME mostrará "0:60" (segundos) y se irá descontando hasta 0.
- El ordenador mostrará F1 a F6 después de la cuenta atrás para comprobar el estado de recuperación de la frecuencia cardíaca.

El usuario encontrará el nivel de recuperación de la frecuencia cardíaca basándose en el siguiente cuadro.

- Vuelva a pulsar la tecla RECOVERY para volver a la pantalla anterior.

F1	Extraordinario
F2	Excelente
F3	Notable
F4	Bien
F5	Inferior a la media
F6	Mal

Solución de problemas:

- Si no hay señal cuando pedalee, compruebe si el cable está correctamente conectado.

⚠ ATENCIÓN

- Cuando deje de entrenar durante 4 minutos, la pantalla principal se apagará.
- Si el ordenador no muestra las cosas de la forma normal, vuelva a instalar el transformador e inténtelo de nuevo.

Bluetooth & APP

- Esta consola puede conectarse con una App de un dispositivo móvil inteligente vía Bluetooth (iOS & Android)
- Establezca la conexión Bluetooth sólo a través del modo de conexión en la aplicación instalada en su teléfono smart.
- Cuando la consola se haya conectado al dispositivo inteligente vía Bluetooth, la consola se apagará.

⚠ NOTA

- Tunturi solo ofrece la opción de conectar su consola de ejercicios físicos mediante conexión Bluetooth. Por tanto, Tunturi no se hace responsable por posibles daños o funcionamiento incorrecto de productos que no sean de la marca Tunturi.
- Consulta el sitio web para obtener información adicional

Limpieza y mantenimiento

La máquina no requiere un mantenimiento especial. No es necesario recalibrar la máquina cuando ésta se ha montado, utilizado y mantenido según las instrucciones.

⚠ ADVERTENCIA

- Antes de la limpieza y el mantenimiento, retire el adaptador.
 - No utilice disolventes para limpiar la máquina.
- Limpie la máquina con un paño suave y absorbente tras cada uso.
 - Compruebe periódicamente que todos los tornillos y las tuercas estén apretados.
 - En caso necesario, lubrique las juntas.
 - Si es necesario, limpie las superficies interiores de la barra para que el sillín pueda desplazarse sin problemas y sin ruido. Si lo considera oportuno, puede mejorar el movimiento del sillín aplicando parafina en la superficie de las barras.

Defectos De Funcionamiento

Pese al continuo control de calidad que realizamos, el equipo puede presentar defectos o malfuncionamientos debidos a fallos en componentes individuales. En la mayoría de los casos no es necesario llevar todo el equipo a reparar, y generalmente es suficiente con reemplazar la parte defectuosa.

Si el equipo no funciona correctamente durante su uso, tome contacto inmediatamente con su proveedor Tunturi. Relate la naturaleza del problema, las condiciones de uso, la fecha de compra, el modelo y el número de serie.

En el reverso de esta guía encontrará la lista de piezas. Utilice sólo piezas de repuesto mencionadas en la lista de piezas de repuesto.

El mando a distancia no funciona

Si el mando a distancia que está integrado en el manillar ha dejado de funcionar, lo más probable es que se haya desemparejado.

Para restablecer la conexión entre la unidad de control del manillar y la pantalla, es preciso encender primero el manillar mediante la batería, antes que la consola de la máquina de remo. Es decir:

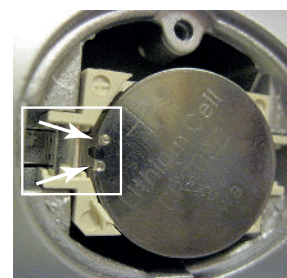
1. Desenchufe el transformador de la máquina de remo.
2. Abra el cajetín de la batería en la parte posterior del manillar y extraiga la batería CR2032. (Espere 2 segundos)
3. Vuelva a colocar la batería CR2032 y vuelva a cerrar la tapa.
4. Enchufe el transformador de la máquina de remo y espere al menos 10 segundos (si no lo hace, el procedimiento fallará).
5. Compruebe si funciona pulsando la tecla de inicio de la pantalla y las teclas arriba/abajo del mando a distancia, para ver si regula el nivel de tensión.

De esta forma se debería restablecer la conexión.

Si el mando a distancia integrado en el manillar sigue sin funcionar, lo más probable es que la batería del manillar se haya quedado sin carga. Sustituya la batería CR2032 por una nueva.

⚠ NOTA

- Al instalar la batería CR2032, asegúrese de insertarla correctamente y que la polaridad sea la adecuada.
- Compruebe que el gancho metálico quede por encima de la batería, como se muestra en la imagen.
- Polaridad: - boca abajo y + boca arriba



Rodillos chirriantes.

- Cuando las ruedas demasiado ruido movimiento, aplicar 2cc. del lubricante a los dos carriles.

⚠ ADVERTENCIA

- Recomendamos utilizar un lubricante a base de silicona.
- Demasiado lubricante puede dañar la alfombra el suelo o el polvo. Limpie tan abundante de lubricante con un paño seco

Transporte y almacenamiento

⚠ ADVERTENCIA

- Antes del transporte y el almacenamiento, retire el adaptador.
 - Al menos dos personas deben transportar y mover la máquina.
- Hay que colocarse de pie delante de la máquina en cada lado y agarrar bien por los manillares. Levante la parte delantera de la máquina para poder levantar la parte trasera sobre las ruedas. Mueva la máquina y bájela con cuidado. Coloque la máquina sobre una base protectora para evitar daños en la superficie del suelo.
 - Mueva la máquina con cuidado sobre superficies irregulares. No suba la máquina por las escaleras usando las ruedas; transporte la máquina por los manillares.
 - Almacene la máquina en un lugar seco con la menor variación de temperatura posible.

El aparato de remo R50 puede almacenarse en posición vertical para ahorrar espacio. Para ello:

- Afloje el pasador de seguridad que se encuentra debajo del marco frontal. Presione el marco ligeramente hacia abajo y tire del pasador hacia arriba.
- Abra el pestillo que se encuentra a la izquierda presionando la lengüeta que se encuentra a un lado. Al mismo tiempo, eleve el marco frontal.

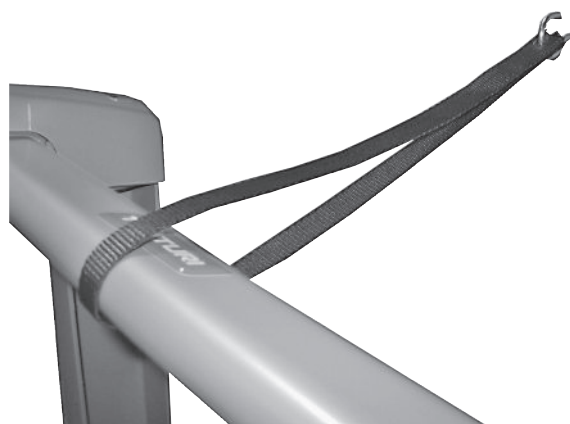


- Baje el marco frontal con cuidado para colocarlo entre las barras. Asegúrese de que el marco frontal está bloqueado.
- Agarre la barra transversal que se encuentra en la parte posterior del aparato y elévelo en posición recta para que quede apoyado con las patas de soporte frontales.

Guarde el aparato de remo contra la pared de forma que el marco frontal no pueda caerse accidentalmente.

⚠ ADVERTENCIA

El aparato de remo se envía con un aro y un gancho para sujetarlo y guardarlo correctamente. Elija un lugar de almacenamiento adecuado para el aparato junto a la pared. Coloque el gancho en la pared a la altura adecuada. Eleve el aparato a la altura del gancho. Rodee la barra transversal con el aro y cuélguelo del gancho. No se monte en el aparato cuando lo tenga en posición de almacenamiento.



Información adicional

Eliminación de embalajes

Las pautas gubernamentales exigen reducir la cantidad de residuos que se depositan en los basureros. Por este motivo, le rogamos que deseché los embalajes de manera responsable en centros públicos de reciclaje.

Eliminación al final de la vida útil

Desde Tunturi esperamos que disfrute de su equipo de entrenamiento durante muchos años. No obstante, llegará un momento en que éste llegue al final de su vida útil. Conforme a la Directiva WEEE (relativa a la gestión de residuos procedentes de equipos eléctricos y electrónicos) le corresponde a usted la responsabilidad de desechar adecuadamente su equipo de entrenamiento en un centro público autorizado de recogida.

Datos técnicos

Parámetro	Unidad de medición	Valor
Receptor telemétrico de la frecuencia cardíaca.	Contacto manual 5.3~ 5.4 Khz. Bluetooth (BLE) ANT+	<input checked="" type="checkbox"/> <input checked="" type="checkbox"/> <input checked="" type="checkbox"/> <input checked="" type="checkbox"/>
Longitud	cm inch	197 77,6
Anchura	cm inch	50 19.7
Altura	cm inch	66 26
Peso	kg lbs	46.4 102.3
Peso máx. del usuario	kg lbs	135 300
Adaptador	V Ma.	9V-DC 1,5 A.

Garantía

Condiciones de la garantía

El consumidor tiene derecho a la aplicación de los derechos legales específicos de la legislación nacional concernientes al comercio de bienes de consumo y esta garantía no limita dichos derechos. La Garantía del Propietario sólo estará en vigor cuando el equipo se utilice en el entorno de uso permitido por Tunturi New Fitness BV para dicho equipo de ejercicio. En las instrucciones de uso de cada aparato se especifica el entorno de uso permitido para el mismo.

Términos de la garantía

Los términos de la garantía comenzarán el día de la compra. Los términos de garantía pueden variar por país, así que consulte con su distribuidor local para ver cuáles son los términos de la garantía.

Cobertura de la garantía

Tunturi New Fitness BV o los distribuidores Tunturi no responderán en ninguna circunstancia a causa de esta garantía por los eventuales daños indirectos, secundarios, resultantes o especiales de ningún tipo derivados del uso o la imposibilidad de uso de este equipo.

Restricciones a la garantía

La garantía cubre los fallos debidos a la fabricación y los materiales en un equipo de ejercicio que esté en su ensambladura original. La garantía cubre solamente defectos que se manifiesten durante un uso normal, conforme a las instrucciones dadas en la guía suministrada con el equipo, a condición de que se hayan observado las instrucciones de montaje, mantenimiento y utilización proporcionadas por Tunturi. Tunturi New Fitness BV y los distribuidores Tunturi no pueden responder de fallos ocasionados por circunstancias ajenas a su control. La presente garantía sólo es válida para el comprador original del equipo de ejercicio y tiene vigencia solamente en los países en los que Tunturi New Fitness BV cuenta con un importador autorizado. La garantía no cubre los equipos de ejercicio o sus partes que hayan sido modificados sin el consentimiento previo de Tunturi New Fitness BV. La garantía no cubre fallos derivados del desgaste normal, de un uso indebido, de su uso en condiciones para las que el equipo no ha sido concebido, corrosión o daños sufridos durante la carga o el transporte.

La garantía no cubre los sonidos o ruidos emitidos durante el uso que no impidan de forma sustancial la utilización del equipo y que no estén provocados por un fallo del mismo

La garantía no cubre las actividades de mantenimiento tales como limpieza, lubricación o el ajuste normal de las piezas, ni los procedimientos de instalación que el cliente pueda realizar por sí mismo y que no requieran un desmontaje / montaje especial del equipo de ejercicio. Estos procedimientos son, por ejemplo, el cambio de contadores, pedales o de otras piezas simples similares. No se reembolsarán las reparaciones realizadas durante el periodo de garantía por agentes no autorizados por Tunturi. Si no se siguen adecuadamente las instrucciones dadas en el Manual del Propietario se invalidará la garantía del producto.

Declaración del fabricante

Tunturi New Fitness BV declara que el producto es conforme con las siguientes normas y directivas: EN 957 (HB), 2014/30/EU. Por tanto, el producto dispone de marcado CE.

07-2020

Tunturi New Fitness BV
Purmerweg 1
1311 XE Almere
The Netherlands

Descargo de responsabilidad

© 2020 Tunturi New Fitness BV
Reservados todos los derechos.

- Tanto el producto como el manual están sujetos a modificaciones.
- Las modificaciones se pueden cambiar sin aviso.
- Consulte nuestra página web para descargar la versión del manual de usuario más reciente.

På svenska

Denna handbok är en översättning av den engelska texten. Vi förbehåller oss rätten till eventuella översättningsfel. Den engelska originaltexten råder.

Index

Roddmaskin	56
Säkerhetsvarningar.....	56
Elsäkerhet	56
Monteringsanvisningar	57
Beskrivning.....	57
Montering (Fig. B).....	57
Strömförsörjning (fig. C).....	57
Förbered handtagskontroll (fig. E)	57
Träning	57
Övning Instruktioner	57
Hjärtfrekvens	58
Användning	58
Hur man rör.....	58
Panel (Fig. D-1)	59
Förklaring av displayfunktioner	59
Manövrering.....	59
Förklaring till manöverknappar.....	59
Operation [Drift].....	60
Programs [Program]	60
Bluetooth & APP	61
Rengöring och underhåll	61
Störningar Vid Användning	61
Fjärrkontrollen fungerar inte	61
Knika rullar.....	61
Transport och lagring.....	61
Ytterligare information	62
Teknisk information	62
Garanti.....	62
Försäkran från tillverkaren	63
Friskrivning.....	63

Roddmaskin

Välkommen till Tunturi Fitness värld!

Tack för att du köpte denna utrustning från Tunturi. Tunturi erbjuder ett stort utbud av professionell träningsutrustning, exempelvis crosstrainers, löpband, träningscyklar och roddmaskiner. Utrustning från Tunturi passar hela familjen, oavsett träningsnivå. Mer information finns på vår webbplats, www.tunturi.com

Viktiga instruktioner om säkerhet

Läs noga igenom denna handbok innan du monterar,, använder eller reparerar ditt nya träningsredskap. Spara denna handbok; den innehåller information som du behöver nu och i framtiden för att använda och underhålla ditt redskap. Följ alltid dessa instruktioner noggrant.

Säkerhetsvarningar**⚠ VARNING**

- Läs säkerhetsvarningarna och instruktionerna. Om inte säkerhetsvarningarna och instruktionerna följs kan det medföra skador på personer eller utrustningen. Behåll säkerhetsvarningarna och instruktionerna för framtida bruk.

⚠ VARNING

- System för övervakning av hjärtfrekvensen är inte alltid exakta. Överträning kan medföra allvarlig skada eller död. Sluta omedelbart att träna om du känner dig svag.

- Utrustningen är endast anpassad för hemmabruk. Utrustningen är inte anpassad
- Maximal användning är begränsad till 5 timmar per dag.
- Om utrustningen används av barn eller personer med fysiska, sensoriska, mentala eller motoriska handikapp, eller som saknar erfarenhet och kunskap, kan detta medföra risker. Personer som är ansvariga för deras säkerhet måste ge tydliga instruktioner, eller övervaka användningen av utrustningen.
- Innan du påbörjar din träning, uppsök en läkare som kan kontrollera din hälsa.
- Om du upplever illamående, yrsel eller andra onormala symptom, avsluta genast din träning och kontakta en läkare.
- Börja varje träningspass med att värma upp och avsluta varje träningspass med nedvarning för att undvika muskelsmärter och sträckningar. Kom ihåg att stretcha i slutet av träningen.
- Utrustningen är endast anpassad för användning inomhus.
- Utrustningen är inte anpassad för användning utomhus.
- Använd endast utrustningen i miljöer med god ventilation. Använd inte utrustningen i dragiga miljöer för att undvika att bli förkyld.
- Använd endast utrustningen i miljöer med temperatur mellan 10 °C och 35 °C. Förvara endast utrustningen i miljöer med temperatur mellan 5 °C och 45 °C.
- Använd inte och förvara inte utrustningen i fuktig miljö. Luftfuktigheten får aldrig överstiga 80%.
- Använd endast utrustningen för dess avsedda ändamål. Använd inte utrustningen för andra ändamål än de som beskrivs i handboken.
- Använd inte den här utrustningen om någon del är trasig eller skadad. Om någon del är trasig eller skadad, kontakta din återförsäljare.
- Håll undan händer, fötter och andra kroppsdelar från de rörliga delarna.
- Håll undan håret från de rörliga delarna.
- Bär passande kläder och skor.
- Håll undan kläder, smycken och andra föremål från de rörliga delarna.
- Låt bara en person åt gången använda utrustningen. Utrustningen får inte användas av personer som väger mer än 135 kg (300 lbs).
- Öppna inte utrustningen utan att kontakta din återförsäljare.

Elsäkerhet

(endast elektrisk utrustning)

- Före användning, kontrollera alltid att nätspänningen är densamma som spänningen på utrustningens märkplåt.
- Använd inte en förlängningssladd.
- Håll strömkabeln borta från värme, olja och vassa kanter.
- Ändra inte strömkabeln eller kontakten.
- Använd inte utrustningen om strömkabeln eller kontakten är trasig eller skadad. Om strömkabeln eller kontakten är trasig eller skadad, kontakta din återförsäljare.

- Rulla alltid ut strömkabeln helt.
- Dra inte strömkabeln under utrustningen. Dra inte strömkabeln under en matta. Placera inte några föremål på strömkabeln.
- Kontrollera att strömkabeln inte hänger över en bordskant. Kontrollera att strömkabeln inte kan komma åt avsiktligt eller snubblas över.
- Lämna inte utrustningen obevakad med kontakten instoppad i vägguttaget.
- Dra inte i strömkabeln för att avlägsna kontakten från vägguttaget.
- Avlägsna stickkontakten från vägguttaget när utrustningen inte används, innan den monteras eller monteras isär och innan den rengörs eller underhålls.

Monteringsanvisningar

Beskrivning

Din roddmaskin är en stationär träningsmaskin som används för att simulera rodd utan att orsaka kraftigt tryck på lederna.

Montering (Fig. B)

⚠ VARNING

- Om någon del saknas, kontakta din återförsäljare..
- Var två om att bära och förflytta utrustningen.

⚠ OBS.

- Placera utrustningen på en stabil och jämn yta.
 - Placera utrustningen på en skyddande grund för att förhindra att golvet skadas.
 - Lämna åtminstone 100 cm fritt runt utrustningen.
- Roddmaskinen levereras i låst läge.
 - Skjut framröret på ramen uppåt och framåt.
 - Dra upp låspinnen och skjut samtidigt framröret neråt med draglinans skydd.
 - Lossa låspinnen och se till att framröret är låst i framåtläge.
 - Skruva alltid fast låspinnen innan du börjar använda redskapet.

Justera mätaren så att den befinner sig i rätt läge för träning.

Strömförsörjning (fig. C)

Träningsredskapet försörjs av en extern strömkälla. Illustrationen visar strömingången på träningsredskapet.

⚠ ANMÄRKNING

- Anslut strömförsörjningen till träningsredskapet innan det ansluts till vägguttaget.
- Dra alltid ut sladden när maskinen inte används.

Förbered handtagskontroll (fig. E)

För att undvika dränering av batteriet under transport och lagring har vi applicerat en batterisoleringslist i handtagsstyrenheten. Detta måste dras ut, i en försiktig men ändå smidig rörelse, innan du använder handtagskontroller.

Träning

Träningen måste vara lagom lätt, men hålla på länge. Aerobisk träning är till för att förbättra kroppens maximala syreupptag, vilket förbättrar uthålligheten och konditionen. Du ska svettas, men du ska inte bli andfådd under träningen. För att uppnå och behålla en grundkondition, träna åtminstone tre gånger i veckan, 30 minuter åt gången. Öka antalet träningspass för att förbättra din kondition. Det är bra att kombinera regelbunden träning med hälsosam kost. En person som har bestämt sig för att banta bör träna dagligen, 30 minuter eller mindre till en början och sedan öka den dagliga träningstiden till en timme. Börja din träning i låg hastighet och med lågt motstånd för att förhindra att hjärtkärlsystemet utsätts för kraftig belastning. När konditionen förbättras, kan hastigheten och motståndet ökas gradvis. Din tränings effektivitet kan mätas genom att kontrollera din hjärtfrekvens och din puls.

Övning Instruktioner

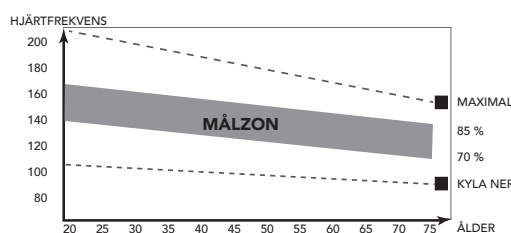
Användningen av ditt träningsredskap kommer att ge dig många fördelar; det kommer att förbättra din fysiska kondition, tona musklerna och tillsammans med en kalorikontrollerad diet hjälpa dig att gå ned i vikt.

Uppvärmningsfasen

Denna fas får blodet att börja pumpa runt i kroppen och förbereder musklerna på aktivitet. Den minskar även risken för kramp och muskelskada. Det är tillrådligt att göra några stretchövningar som visas nedan. Varje stretchövning ska hållas i ungefär 30 sekunder. Tvinga eller tryck inte in musklerna i en stretchövning. Om det gör ont, SLUTA

Träningsfasen

Detta är fasen där du jobbar. Efter regelbunden användning, kommer musklerna i dina ben att bli mer flexibla. I denna fas är det mycket viktigt att bibehålla ett jämnt tempo från början till slut. Ansträngningsnivån ska vara tillräcklig för att höja din puls till målzonen som visas i nedanstående figur



Denna fas bör pågå i minst 12 minuter, även om de flesta börjar med ungefär 15-20 minuter.

Nedvarvningsfasen

Under denna fas får ditt kardiovaskulära system och dina muskler varva ned. Den är en upprepning av uppvärmningsövningen, t.ex. minska ditt tempo, fortsatt i ca 5 minuter. Stretchövningarna ska nu upprepas. Kom ihåg att inte tvinga eller trycka in musklerna i stretchövningen.

När du blir mer vältränad, kan du träna längre och hårdare. Vi rekommenderar att träna minst tre gånger i veckan, och, om möjligt, fördela dina träningsstillfällen jämnt under hela veckan.

Muskeltoning

För att tona musklerna när du använder träningsredskapet, måste du ställa in en ganska hög belastning. Detta belastar benmusklerna mer och kan innebära att du inte kan träna så länge som du vill. Om du även försöker förbättra din kondition, måste du ändra ditt träningsprogram. Du bör träna som vanligt under uppvärmnings- och

nedvarningsfaserna, men mot slutet av träningsfasen kan du öka belastningen så att dina ben får jobba hårdare. Du måste minska hastigheten för att hålla pulsen i målzonen.

Viktminskning

Den viktigaste faktorn här är hur mycket du anstränger dig. Ju hårdare och längre du tränar, desto fler kalorier bränner du. Detta är i princip detsamma som om du tränade för att förbättra din kondition, skillnaden är målet.

Hjärtfrekvens

Hjärtfrekvensmätning pulsbalte)

Den mest exakta mätningen av hjärtfrekvensen uppnås med ett pulsbalte. Hjärtfrekvensen mäts av en hjärtfrekvensmottagare i kombination med ett pulsbalte med sändare. Korrekt pulsmätning kräver att elektroderna på sändarbältet är en aning fuktiga och i ständig kontakt med skinnet. Om elektroderna är för torra eller för fuktiga kan pulsmätningen bli mindre exakt.

⚠ VARNING

- Kontakta en läkare innan du använder ett pulsbalte om du har pacemaker.

⚠ OBS.

- Om det finns flera enheter för hjärtfrekvensmätning bredvid varandra, kontrollera att avståndet mellan dem är minst 2 meter.
- Om det bara finns en hjärtfrekvensmottagare och flera hjärtfrekvenssändare, kontrollera att bara en person med sändare är inom mottagningsområdet.

🗿 ANMÄRKNING

- Bär alltid pulsbaltet under dina kläder, i direktkontakt med huden. Bär inte pulsbaltet utanpå kläderna. Om du bär pulsbaltet utanpå kläderna kommer det inte att bli någon signal.
- Om du har ställt in en begränsning av hjärtfrekvensen för din träning, kommer ett larm att ljuda när den överskrids.
- Sändaren sänder hjärtfrekvensen till panelen upp till ett avstånd på 1,5 meter. Om elektroderna inte är fuktiga, kommer inte hjärtfrekvensen att visas på displayen.
- Vissa klädfibrer (t.ex. polyester eller polyamid) skapar statisk elektricitet som kan förhindra en korrekt mätning av hjärtfrekvensen.
- Mobiltelefoner, tv-apparater och andra elektriska apparater skapar ett elektromagnetiskt fält som kan förhindra en korrekt mätning av hjärtfrekvensen.

Maximal hjärtfrekvens under träning)

Den maximala hjärtfrekvensen är den högsta hjärtfrekvens en person säkert kan få vid träning. Följande formel används för att beräkna den genomsnittliga maximala hjärtfrekvensen: $220 - \text{ÅLDER}$. Den maximala hjärtfrekvensen varierar från person till person.

⚠ VARNING

- Kontrollera att du inte överskrider din maximala hjärtfrekvens under din träning. Kontakta en läkare om du tillhör en riskgrupp.

Nyborjarnivå

50-60% av den maximala hjärtfrekvensen

Passar nybörjare, viktvaktare, konvalescenter och personer som inte har tränat på länge. Träna åtminstone tre gånger i veckan, 30 minuter åt gången.

Avanceradnivå

60-70% av den maximala hjärtfrekvensen

Passar personer som vill förbättra och underhålla konditionen. Träna åtminstone tre gånger i veckan, 30 minuter åt gången.

Expert

70-80% av den maximala hjärtfrekvensen

Passar de mest vältränade, som är vana vid långa och tunga träningspass.

Användning

Hur man rör

	Hämta Böj framåt med raka armar och rak rygg..
	Uppstart Tryck ifrån med benen medan armarna fortsätter vara raka
	Avslut Dra bakåt med armarna och benen och gunga bakåt med höfterna..
	Retur Överkroppen faller framåt över höfterna i en rörelse framåt.
	Hämta Återvänd till startpositionen och börja om med rörelsen

Hämta - Uppstart

Påbörja draget i främre position och tryck kraftigt bakåt med benen medan armarna och ryggen behålls raka.

Avslut

Börja att dra armarna bakåt när de passerat knäna och fortsatt med draget bakåt över höfterna.

Retur

Återvänd till startpositionen och återupprepa rörelsen

Panel (Fig. D-1)



⚠ OBS

- Skydda panelen från direkt solljus.
- Torka av panelens yta när den är täckt av svett droppar.
- Luta dig inte mot panelen.
- Vidrör endast displayen med din fingertopp. Var noga med att inte dina naglar eller vassa föremål vidrör displayen.

🔧 ANMÄRKNING

- Panelen övergår till viloläge när utrustningen inte har använts på 4 minuter.

Förklaring av displayfunktioner

Time/ 500m

- Visar tiden för att springa ett träningspass på 500 m, baserat på aktuell roddintensitet.
- Område: 0 ~ 99:00 min.

SPM

- "SPM" är Roddtag per minut och visar genomsnittligt antal roddtag per minut under träning.
- Displayintervall: 0 ~ 999

Avstånd M

- Om man inte ställer in ett målvärde, räknas avståndet uppåt.
- När målvärde ställs in, räknas avståndet neråt från ditt målvärde till 0, då larmsignal ljuder eller blinkar
- Intervall: 0 ~ 99999 M. (± 100M.)

Time [Tid]

- Utan att ställa in målvärde, räknas tiden uppåt.
- När målvärde ställs in, räknas tiden neråt från ditt målvärde till 0, då larmsignal ljuder eller blinkar.
- Tiden fortsätter att räkna upp om träningen inte stoppas efter att målet har uppnåtts.
- Om inte någon larmsignal under träningspasset skickas till manöverpanelen inom 4 sek, STOPPAS tiden.
- Område: 0:00 ~ 99:59.

Årtag

- Visar antalet slag för det aktiva träningspasset.
- Område: 0 ~ 99 999 / ± 1 slag.

Calories [Kalorier]

- Om man inte ställer in ett målvärde, räknas kalorierna uppåt.
- När målvärde ställs in, räknas kalorierna neråt från din målkalorie till 0, då larmsignal ljuder eller blinkar.
- Kalorier fortsätter att räkna upp om träningen inte stoppas efter att målet har uppnåtts
- Ackumulerar automatiskt förbrända kalorier när du tränar.
- Område: 0 ~ 9 999 K.kalorier.

🔧 OBS

- Dessa uppgifter är en ungefärlig uppskattning för jämförelse av olika träningspass och kan inte användas vid medicinsk behandling.

Pulse [Puls]

- Aktuell puls visas efter 6 sek efter att manöverpanelen känt av den.
- Utan någon pulssignal i 6 sekunder visar konsolen "P".
- Pulsalarm hörs när den nuvarande pulsen ligger över målpulsen.
- Område: 0-30 ~ 230 BPM

WATT

- Visa aktuell träningswatt.
- Intervall 0 ~ 999

Belastning

- Visar i 3 sekunder inställd spänningsnivå vid justering av motstånd.
- Område: 1 ~ 16

Manövrering

Ström på

- Koppla in strömförsörjningen. Datoren kommer då att starta och visa allt på isplayen i två sekunder.
- Tryck på valfri knapp för att sätta på strömmen om enheten befinner sig i läget SLEEP.

Ställa in klockan

- Tryck på och håll ner knappen MODE och RESET i två sekunder för att återställa mätaren.
- Tryck på knappen UP eller DOWN för att ställa in klockan.

Förklaring till manöverknappar

Reset (Återställ)

- Tryck på RESET en gång i inställningsläge för att återställa aktuella funktionsparametrar.
- Tryck på RESET (ÅTERSTÄLL) och håll nere i 2 sek för att återställa alla funktionsparametrar

START/STOPP

- Starta eller stoppa (pausa) träning.

Recovery [Återställning]

- När konsolen har upptäckt pulssignal, trycker du på knappen RECOVERY (ÅTERSTÄLLNING) för att gå till återställningsläget och övervaka förmågan att återställa hjärtfrekvensen

Upp

- Öka motståndsnivån under träningen.
- Ställer in ditt val.

Mode [Läge]

- Bekräfta inställningen eller valet.

Ner

- Minska motståndsnivån under träningen.
- Ställer in ditt val.

Operation [Drift]

Power on [Starta]

- Anslut nättaggregatet för att starta datorn.
- Tryck på valfri knapp för att starta manöverpanelen efter stillestånd.
- Börja trampa för att väcka upp manöverpanelen.

Power off [Stäng av]

- Manöverpanelen ställs in automatiskt i STANDBY-läge, om inte någon signal getts inom 4 minuter.
- Koppla bort nättaggregatet för att stänga av datorn direkt.

Programs [Program]

Quick start [Snabbstart]

- Tryck på "START/STOP" (STARTA/STOPPA) för att starta din träning utan förinställda värden.
- Använd "UP/DOWN" (UPP/NER) för att justera motståndsnivån under träning.

Avsluta ditt träningspass

- Tryck på "START/STOP" (STARTA/STOPPA) i tävlingsläge för att stoppa/pausa ditt träningspass.
Tryck på START/STOP (STARTA/STOPPA) i pausläge för att fortsätta ditt träningspass.
- Tryck på "RESET" för att återställa konsolen. (Aktiva träningsdata kommer att förloras)

Manual mode [Manuellt läge]

- Använd knappen "UP/DOWN" (UPP/NER) för att välja träningsprogram, välj läget MANUAL (MANUELLT) och tryck på knappen "MODE" (LÄGE) för att gå till nästa inställningsalternativ för manuellt läge.
- Använd knappen "UP/DOWN" (UPP/NER) för att förinställa träningstid, och tryck på "MODE" (LÄGE) för att bekräfta inställningen.
- Efter bekräftelse kan du också ställa in: Kalorier och pulsgräns.

OBS

- När du ställer in fler än ett mål, stannar träningen av vid det först uppnådda målet.
 - Ställ in ett blankt mål och det uppfattas inte som ett förinställt mål.
 - Det är inte möjligt att sätta ett mål för tid och avstånd tillsammans för en träning.
 - Pulsen är inte en gräns för träningens slut. Ett pip hörs när den förinställda gränsen för PULSE (PULS) konstant överskrids.
- Tryck på "START/STOP" (STARTA/STOPPA) för att starta träningspasset.
 - Använd knappen "UP/DOWN" (UPP/NER) för att justera motståndsnivån. Belastningsnivå visas i fönstret LOAD (BELASTNING).

Program (bild F)

- Använd knappen "UP/DOWN" (UPP/NER) för att välja läget PROGRAM och bekräfta med knappen "MODE".
- Använd knappen "UP/DOWN" (UPP/NER) för att välja ett träningsprogram, OCH tryck på "MODE" (LÄGE) för att bekräfta.
- Använd knappen "UP/DOWN" (UPP/NER) för att ställa in tid, och tryck på "MODE" (LÄGE) för att bekräfta.
- Tryck på START/STOPP för att starta träningspasset.
- Använd knappen "UP/DOWN" (UPP/NER) för att justera motståndsnivån.

H.R.C.-läge.

- Använd knappen "UP/DOWN" (UPP/NER) för att välja ett

träningsprogram, välj H.R.C. och tryck på "MODE" (LÄGE) för att bekräfta.

- Använd knappen "UP/DOWN" (UPP/NER) för att ställa in ålder.
- Använd knappen "UP/DOWN" (UPP/NER) för att välja 55 %, 75 %, 90 %, TA.
 $55 \% = (220 - \text{ålder}) \times 55 \%$, $75 \% = (220 - \text{ålder}) \times 75 \%$
 $90 \% = (220 - \text{ålder}) \times 90 \%$, TA = Mål (Standard = 100) Använd knapparna "UP/DOWN" (UPP/NER) för att ställa in målvärdet.
Tryck på "MODE" (LÄGE) för att bekräfta.
- Använd knappen "UP/DOWN" (UPP/NER) för att ställa in tid, och tryck på "MODE" (LÄGE) för att bekräfta.
- Tryck på START/STOPP för att starta träningspasset.
- Använd RESET för att gå tillbaka till huvudmenyn.

Tävlingsläge.

- Använd knappen "UP/DOWN" (UPP/NER) för att välja ett träningsprogram, välj RACE (TÄVLING) och tryck på "MODE" (LÄGE) för att bekräfta.
- Använd knappen "UP/DOWN" (UPP/NER) för att ställa in "Slag per minut" för datasimulatorens intervall $10 \sim 95 \pm 5$, tryck på "MODE" (LÄGE) för att bekräfta.
- Använd knappen "UP/DOWN" (UPP/NER) för att ställa in slutavstånd (intervall 100~9 900 meter ± 100), och tryck på "MODE" (LÄGE) för att bekräfta.
- Tryck på "START/STOP" (STARTA/STOPPA) för att starta tävlingsfunktionen.

OBS

- Träningspasset avslutas, när datorn eller du själv (användaren/spelaren) har uppnått slutvärdet.

Användare

- Använd knappen "UP/DOWN" (UPP/NER) för att välja ett träningsprogram, välj User (Användare) och tryck på "MODE" (LÄGE) för att bekräfta.
- Använd knappen "UP/DOWN" (UPP/NER) för att ställa in spänningsnivå för det första profilsegmentet. (Intervall 1~16), tryck på "MODE" (LÄGE) för att bekräfta.
- Upprepa detta steg för alla andra segment också.
- När fullständig profil är programmerad, ska du trycka ned "MODE" (LÄGE) i två sekunder för att bekräfta.
- Använd knappen "UP/DOWN" (UPP/NER) för att ställa in tid, och tryck på "MODE" (LÄGE) för att bekräfta.
- Tryck på START/STOP (STARTA/STOPPA) för att starta träningspasset.
- Använd RESET för att gå tillbaka till huvudmenyn.

Recovery [Återställning]

- Återställningsknappen är endast aktiv, om pulsslag föreligger.
- TID visar "0-60" (sekunder) och räknar ner till 0.
- Datorn visar F1 till F6 efter nedräkning för att testa hjärtslagets återställningsstatus. Användaren kan hitta hjärtslagets återställningsnivå baserad på tabellen nedan.
- Tryck på RECOVERY (ÅTERHÄMTNING) igen för att återgå till den föregående skärmen.

F1	Enastående
F2	Utmärkt
F3	Bra
F4	Hyfsad
F5	Under genomsnittet
F6	Dålig

Felsökning:

- Om det inte finns någon signal när du trampar, ska du kontrollera om kabeln är ordentligt ansluten.

OBS

- När du slutar träna i 4 minuter kommer huvudskärmen att stängas av.
- Om datorn visas onormala värden, ska du installera om transformatorn och försöka igen.

Bluetooth & APP

- Denna panel kan ansluta APP (Fit Hi Way) på den smarta enheten med Bluetooth. (iOS & Android).
- Upprätta Bluetooth-anslutningen endast via anslutningsläget på den installerade APP-enheten på din smarta enhet.
- När panelen har anslutits till den smarta enheten via Bluetooth stängs strömmen på panelen av.

OBS

- Tunturi ger dig endast möjligheten att ansluta din träningspanel med en Bluetooth-anslutning. Därför bär Tunturi inget ansvar för skador eller felfunktioner som uppstår på andra produkter än Tunturi-produkter.
- Kolla webbplatsen för extra information.

Rengöring och underhåll

Utrustningen kräver inte något särskilt underhåll. Utrustningen kräver inte omkalibrering när den monteras, används eller servas i enlighet med instruktionerna.

⚠ VARNING

- Innan rengöring och underhåll, avlägsna adaptorn.
- Använd inte lösningsmedel för att rengöra utrustningen.

- Rengör utrustningen med en mjuk och absorberande trasa efter varje användning.
- Kontrollera regelbundet att alla skruvar och muttrar är åtdragna.
- Smörj vid behov.
- Rengör insidan av rälsen vid behov så att sitsen glider så lätt och tyst som möjligt. Du kan också få sitsen att glida lättare genom att applicera paraffin på rälsytorna om det behövs.

Störningar Vid Användning

Trots kontinuerlig kvalitetskontroll kan fel eller funktionsstörningar som beror på någon enskild komponent förekomma. Därför är det onödigt att hela redskapet skickas på reparation, eftersom det för det mesta räcker med att aktuell komponent byts.

Kontakta genast din försäljare om du upptäcker fel eller brister när du använder ditt redskap eller om du behöver reservdelar. Uppge alltid redskapets modell och serienummer. Beskriv problemet, hur redskapet använts, och uppge inköpsdagen.

Behöver du reservdelar, uppge också numret på reservdelar; du hittar en lista på reservdelar i slutet på den här handboken. Till apparaten är endast delar från reservdelslistan användas.

Fjärrkontrollen fungerar inte

När fjärrkontrollen som är inbyggd i styret inte fungerar längre är den förmodligen inte parad längre.

För att återupprätta anslutningen mellan styrenheten och displayen måste styret drivas av ström från batteriet innan roddmaskinen. Gör så här:

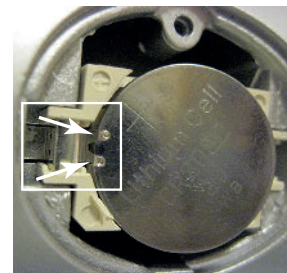
1. Koppla ur roddmaskinens transformator.
2. Öppna batterifacket på baksidan av styret och ta ut CR2032-batteriet för styret. (vänta i 2 sekunder)
3. Sätt tillbaka CR2032-batteriet och stäng facket igen.
4. Anslut roddmaskinens transformator och vänta minst 10 sekunder (om du inte väntar i 10 sekunder misslyckas proceduren).
5. Kontrollera att det fungerar genom att trycka på startknappen på displayen och använda UPP/NED-knapparna på fjärrkontrollen för att om du kan justera spänningsnivån.

Detta bör återupprätta anslutningen igen.

När den integrerade fjärrkontrollen i handtagsstången inte fungerar är det troligt att batteriet i handtagsstången är slut. Byt ut CR2032-cellbatteriet mot ett nytt.

OBS

- När du installerar CR2032-batteriet, se till att sätta i det korrekt så att polerna hämnar på rätt plats.
- Se till att metallhaken ligger över batteriet som visas på bilden.
- Polaritet: - nedåt och + upp.

**Knika rullar.**

- När hjulen för mycket brus när du flyttar, applicera 2cc. smörjmedel på båda skenorna.

⚠ VARNING

- Vi rekommenderar att du använder ett silikonbaserat smörjmedel.
- För mycket smörjmedel kan jord mattan eller damm skador. Torka bort så mycket smörjmedel med en torr trasa.

Transport och lagring**⚠ VARNING**

- Innan transport och förvaring, avlägsna adaptorn.
 - Var två om att bära och förflytta utrustningen.
- Stå framför utrustningen på vardera sidan och ta ett fast grepp i handtagen. Lyft utrustningens framsida så att baksidan lyfts på hjulen. Förflytta utrustningen och sätt ner den försiktigt. Placera utrustningen på en skyddande grund för att förhindra att golvet skadas.
 - Förflytta utrustningen försiktigt över ojämna ytor. Förflytta inte utrustningen till övervåningen med hjulen, utan bär utrustningen med handtagen.
 - Förvara utrustningen på en torr plats med så liten temperaturvariation som möjligt.

Roddmaskinen R60 kan lyftas upp för att spara plats på följande sätt:

- Lossa låspinnen under framramen, tryck ner ramen något och dra låspinnen uppåt.
- Lossa spärren på vänster sida genom att trycka reglaget i sidled. Lyft samtidigt upp framramen.

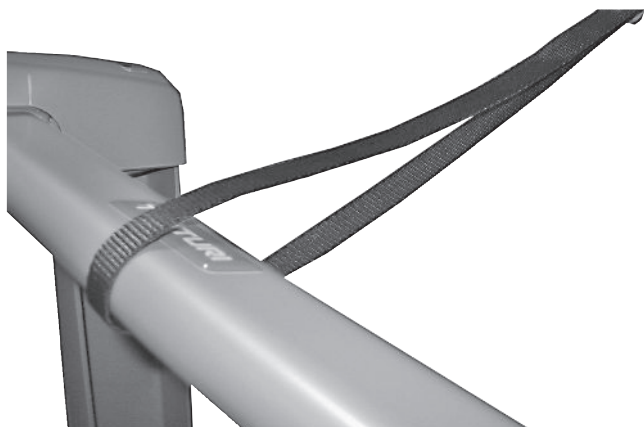


- Skjut försiktigt ner framramen mellan rälsarna. Se till att framramen är låst.
- Grip tag i tvärbalken på den bakre änden av roddmaskinen och lyft upp redskapet i upprätt läge så att den stöds av stödbenen på framänden.

Förvara roddmaskinen mot en vägg och se till att framramen inte kan falla ner och orsaka skada.

⚠ VARNING

En ring och en hake medföljer för att låsa roddmaskinen i förvaringsläge. Välj en lämplig förvaringsplats längs med en vägg och sätt fast haken ordentligt i rätt höjd på väggen. Lyft upp roddmaskinen till förvaringsläge framför haken. Trä ringen runt tvärbalken och koppla ihop ringen och haken. Gå inte på roddmaskinen när den är i förvaringsläge!



Ytterligare information

Bortskaffande av förpackning

Riktlinjer från myndigheter uppmanar att vi minskar mängden avfall som placeras i deponier. Vi ber dig därför att bortskaffa allt förpackningsavfall på ett ansvarsfullt sätt på allmänna återvinningscentraler.

Bortskaffande av uttjänt redskap

Vi på Tunturi hoppas att du får många års trevlig användning av ditt träningsredskap. Men det kommer en tid när ditt träningsredskap är uttjänt. Enligt den europeiska WEEE-lagstiftningen, ansvarar du för korrekt bortskaffande av ditt träningsredskap på en allmän återvinningsanläggning.

Teknisk information

Parameter	Måttenhet	Värde
Telemetrisk hjärtfrekvensmottagare.	hand-kontakt 5.3~ 5.4 Khz. Bluetooth (BLE) ANT+	<input checked="" type="checkbox"/> <input checked="" type="checkbox"/> <input checked="" type="checkbox"/> <input checked="" type="checkbox"/>
Längd	cm inch	197 77,6
Bredd	cm inch	50 19.7
Höjd	cm inch	66 26
Vikt	kg lbs	46.4 102.3
Max användarvikt	kg lbs	135 300
Adapter Spänning Strömstyrka		9V-DC 1,5 A.

Garanti

Garantivillkor

Konsumenten har rätt att tillämpa de nationellt lagstadgade rättigheterna gällande konsumentvaror och denna garanti begränsar inte dessa rättigheter.

Årgarantin är giltig endast om Tunturis träningsredskap används i de miljöer som tillåts enligt Tunturi. Vilka miljöer som är tillåtna står i träningsredskapets bruksanvisning.

Garantivillkor

Garantivillkoren börjar att gälla från inköpsdatumet. Garantivillkoren kan variera mellan olika länder. Kontakta en lokal återförsäljare om garantivillkoren.

Garantins omfattning

Oavsett omständigheter, ansvarar inte Tunturi New Fitness BV eller Tunturis återförsäljare för uppkomna personskador som påverkar köparen, och som innebär inkomstförlust eller andra ekonomiska följdverkningar.

Gegränsningar i garantin

Garantin gäller för arbets- och materialfel, förutsatt att redskapet är i originalmonterat skick.

Garantin gäller endast fel som uppstår vid normalt bruk och då den använts enligt Tunturis instruktioner gällande montering, skötsel och användning. Tunturi New Fitness BV och Tunturis återförsäljare ansvarar ej för fel som uppkommer utanför deras kontroll.

Garantin gäller endast redskapets ursprungliga ägare och är gällande endast i de länder där det ifnns en godkänd Tunturi New Fitness BV återförsäljare.

Garantin gäller ej för redskap eller delar som har ändrats utan Tunturi New Fitness BV:s godkännande. Garantin gäller ej för fel som beror på normalt slitage, felaktig användning, användning i förhållanden som inte är avsett för redskapet, korrosion eller lastnings- och transportskador.

Garantin täcker inte ljud som uppstår under användning såvida dessa inte väsentligt hindrar utrustningens användning eller har orsakas av ett fel i utrustningen.

Garantin gäller inte för underhållsarbete, som rengöring, smörjning eller normal kontroll av komponenterna och inte heller för monteringsarbete som kunden själv kan göra och som inte kräver att redskapet plockas isär/sätts ihop. Det gäller till exempel byte av mätare, trampor eller andra motsvarande enkla delar. Garantireparationer utförda av andra än en godkänd Tunturi-representant, ersätts inte. Ifall instruktionerna i manualen inte följs upphävs produktens garanti.

Försäkran från tillverkaren

Tunturi New Fitness BV försäkrar att produkten uppfyller följande standarder och direktiv: EN 957 (HB), 2014/30/EU. Produkten är därför CE-märkt.

07-2020

Tunturi New Fitness BV
Purmerweg 1
1311 XE Almere
Nederländerna

Friskrivning

© 2020 Tunturi New Fitness BV
Alla rättigheter förbehålles.

- Produkten och handboken kan komma att ändras.
- Specifikationer kan ändras utan förvarning.
- På vår webbplats finns den senaste bruksanvisningen.

Suomeksi

Tämä suomennettu käyttöohje on käännetty Englannin kielestä. Pidätämme oikeudet mahdollisiin käännösvirheisiin. Käännös tehty virallisen, englanninkielisen version pohjalta.

Sisältö

Soutulaite	64
Turvallisuusvaroitukset	64
Sähköturvallisuus.....	64
Kokoamisohjeet.....	65
Kuvaus.....	65
Kokoonpano (kuva. B).....	65
virtalähde (kuva. C)	65
Valmista kädensijan hallinta (fig. E)	65
Harjoitukset.....	65
Ohjeita harjoittelua varten	65
Syke.....	66
Käyttö.....	66
Soutaminen.....	66
Ohjauspaneeli (kuva D-1).....	67
Näytön toimintojen selitykset	67
Toiminta	67
Painikkeiden selitykset	67
Toiminta	68
Ohjelmat	68
Sovellus & Bluetooth.....	68
Puhdistus ja huolto	69
Käyttöhäiriöt	69
Kaukosäädin ei toimi.....	69
Sykkivä rullat	69
Kuljetus ja säilytys	69
Lisätietoa laitteen omistajalle.....	70
Tekniset tiedot.....	70
Takuu	70
Valmistajan vakuutus	71
Vastuuvapauslauseke.....	71

Soutulaite

Tervetuloa Tunturi Fitness -maailmaan!

Kiitämme sinua tämän Tunturi-laitteen ostosta. Tunturi tarjoaa laajan valikoiman ammattimaisia kuntoilulaitteita, mukaan lukien crosstrainerit, juoksumatot, kuntopyörät ja soutulaitteet. Tunturi-laite sopii koko perheelle kuntotasosta riippumatta. Katso lisätiedot verkkosivuiltamme www.tunturi.com

Tärkeitä turvallisuusohjeita

Tämä opas on olennainen osa kuntolaitettasi. Perehdy ohjeisiin huolellisesti ennen kuin asennat, käytät tai huollat kuntolaitettasi. Sinun tulee ehdottomasti säilyttää tämä opas, sillä jatkossa se opastaa Sinua niin kuntolaitteesi tehokkaaseen käyttöön kuin huoltoonkin. Muista aina noudattaa tämän oppaan ohjeita.

Turvallisuusvaroitukset**VAROITUS**

- Lue turvallisuusvaroitukset ja -ohjeet. Turvallisuusvaroitusten ja -ohjeiden jättäminen noudattamatta voi aiheuttaa henkilön loukkaantumisen tai laitevaurion. Säilytä turvallisuusvaroitukset ja -ohjeet myöhempää käyttöä varten.

AROITUS

- Sykkeenvalvontajärjestelmät saattavat olla epätarkkoja. Liiallinen harjoittelu saattaa aiheuttaa vakavia vammoja tai kuoleman. Jos tunnet olosi heikoksi, lopeta harjoittelu heti.

- Laite on sopiva vain kotikäyttöön. Laite ei ole sopiva kaupalliseen käyttöön.
- Enimmäiskäyttö on rajoitettu 5 tuntiin päivässä
- Tämän laitteen käyttö lasten tai fyysisesti, aistillisesti, henkisesti, tai liikunnallisesti rajoittuneiden, tai kokemukseltaan ja tiedoiltaan puutteellisten henkilöiden toimesta voi aiheuttaa vaaratilanteita. Heidän turvallisuudestaan vastuussa olevien henkilöiden on annettava selkeät ja tarkat ohjeet laitteen käytöstä ja valvottava laitteen käyttöä.
- Ennen harjoituksen aloittamista ota yhteys lääkäriin terveystarkastusta varten.
- Jos sinulla on pahoinvointia, huimausta, tai muita epätavallisia oireita, lopeta välittömästi harjoitus ja ota yhteys lääkäriin.
- Vältä lihaskipuja ja venähdyksiä aloittamalla jokainen harjoitus lämmittelyjaksolla ja päättää jokainen harjoitus jäähdyttelyjaksolla. Muista venytellä harjoittelun lopuksi.
- Laite on sopiva vain sisäkäyttöön. Laite ei ole sopiva ulkokäyttöön.
- Käytä laitetta riittävällä tuuletuksella varustetuissa tiloissa. Älä käytä laitetta vetoisissa tiloissa välttääksesi kylmettymisen.
- Käytä laitetta vain ympäristölämpötilassa 10 °C - 35 °C. Säilytä laitetta vain ympäristölämpötilassa 5 °C - 45 °C.
- Älä käytä tai säilytä laitetta kosteissa tiloissa. Ilmankosteus ei saa koskaan olla yli 80 %.
- Käytä laitetta vain sen aiottuun tarkoitukseen. Älä käytä laitetta muihin, kuin tässä käyttöoppaassa esitettyihin tarkoituksiin.
- Älä käytä laitetta, jos sen jokin osa on vaurioitunut tai viallinen. Jos osa on vaurioitunut tai viallinen, ota yhteys jälleenmyyjään.
- Pidä kätesi, jalkasi ja kehon muut osat pois liikkuvista osista.
- Pidä hiuksesi pois liikkuvista osista.
- Käytä asianmukaista vaatetusta ja kenkiä.
- Pidä vaatteet, korut ja muut esineet pois liikkuvista osista.
- Varmista, että vain yksi henkilö kerrallaan käyttää laitetta. Yli 135 kg (300 lbs) ainava henkilö ei saa käyttää laitetta.
- Älä avaa laitetta ilman yhteydenottoa jälleenmyyjääsi.

Sähköturvallisuus

(koskee vain sähköistä laitetta)

- Varmista aina ennen käyttöä, että sähkölähteen jännite on sama kuin laitekilvessä ilmoitettu laitteen nimellijännite.
- Älä käytä jatkojohtoa.
- Pidä virtajohto pois kuumasta, öljystä ja terävistä kulmista.
- Älä tee muutoksia virtajohtoon tai pistokkeeseen.
- Älä käytä laitetta, jos virtajohto tai virtajohdon pistoke on vaurioitunut tai viallinen. Jos virtajohto tai virtajohdon pistoke on vaurioitunut tai viallinen, ota yhteys jälleenmyyjääsi.
- Suorista aina virtajohto täysin.
- Älä vie virtajohtoa laitteen alitse. Älä laita virtajohtoa maton alle. Älä laita virtajohdon päälle mitään esineitä.
- Varmista, ettei virtajohto roiku pöydän kulman yli. Varmista, ettei virtajohtoon voi vahingossa tarttua kiinni tai kompastua.

- Älä jätä laitetta ilman valvontaa virtajohdon ollessa liitettyinä pistorasiaan.
- Älä vedä pistoketta irti pistorasiasta virtajohdosta vetämällä.
- Irrota pistoke pistorasiasta, kun laite ei ole käytössä, ennen asennusta tai purkamista ja ennen puhdistusta sekä huoltoa.

Kokoamisohjeet

Kuvaus

Soutulaitteesi on paikallaan pysyvä kuntoilulaite, jota käytetään simuloimaan soutua ilman liiallista rasitusta niveliin.

Kokoonpano (kuva. B)

⚠ VAROITUS

- Jos osa puuttuu, ota yhteys jälleenmyyjään.
- Vähintään kahden henkilön on kannettava ja siirrettävä laitetta.

⚠ HUOMAUTUS

- Sijoita laite kovalle, tasaiselle alustalle.
 - Asettakaa laite suojalustalle lattiapinnan vaurioiden estämiseksi.
 - Varaa vähintään 100 cm tilaa laitteen ympärille.
- Soutulaite on pakkauksessa säilytysasentoon lukittuna.
 - Käännä rungon päälle taitettu eturunko ylös ja eteen.
 - Vedä lukitusnuppia ylöspäin ja paina samalla eturunkoa alaspäin vetohihnan rullien suojan päältä.
 - Vapauta lukitusnuppi ja varmista, että eturunko on lukittunut etuasentoon.
 - Kiristä lukitusnuppi aina ennen harjoittelun aloittamista.

Aseta mittari sopivaan kulmaan harjoittelua varten.

virtalähde (kuva. C)

Virtalähde Kuntolaitteessa on ulkoinen virtalähde. Katso oheisesta kuvasta, missä kuntolaitteesi virtapiste sijaitsee.

🔌 ILMOITUS

- Kiinnitä muuntaja laitteeseen ennen kuin yhdistät sen pistorasiaan.
- Irrota virtajohto seinästä aina kun laitetta ei käytetä.

Valmista kädensijan hallinta (fig. E)

Pariston tyhjenemisen välttämiseksi kuljetuksen ja varastoinnin aikana olemme asettaneet akun eristysnauhan kädensijan ohjausyksikköön. Tämä on vedettävä ulos varovaisella mutta silti liikkeellä ennen kädensijan hallintalaitteiden käyttöä.

Harjoitukset

Harjoituksen on oltava sopivan kevyt, mutta pitkäkestoinen. Aerobic-harjoitus perustuu kehon maksimi hapenottokyvyn parantamiseen, mikä puolestaan parantaa kestävyyttä ja kuntotasoa. Harjoituksen aikana sinun tulisi hikoilla, mutta sinun ei tulisi hengästyä. Harjoittele vähintään kolme kertaa viikossa 30 minuuttia peruskuntotason saavuttamiseksi ja ylläpitämiseksi. Paranna kuntotasoasi lisäämällä harjoituskertojen määrää. On hyödyllistä yhdistää säännöllinen harjoitus terveelliseen dieettiin. Dieettiin sitoutuneen henkilön tulisi harjoitella päivittäin, ensi alkuun korkeintaan 30 minuuttia ja vähitellen lisäten päivittäinen harjoitusaika yhteen tuntiin. Aloita harjoituksesi

hitaalla nopeudella ja pienellä vastuksella estääksesi liiallisen rasituksen sydän-verisuonijärjestelmään. Nopeutta ja vastusta voidaan vähitellen lisätä kuntotason parantuessa. Harjoituksesi tehokkuus voidaan mitata seuraamalla sydämesi lyöntinopeutta ja pulssisi nopeutta. Lisää nopeutta ja vastusta vähitellen oman kuntosi mukaan. Pidä pää pystyssä ja kaula suorana välttääksesi stressiä kaulassa, hartioissa ja selässä. Pidä selkäsi suorana. Varmista, että jalkasi ovat keskellä polkimia ja että lantio, polvet, nilkat ja varpaat ovat suoraan eteenpäin. Pidä painosi alaruumiin yläpuolella, huolimatta siitä, nojaatko eteenpäin vai seisotko suorana. Lopeta harjoitusjaksoi vähentämällä nopeutta ja vastusta vähitellen. Muista venytellä harjoittelun lopuksi.

Ohjeita harjoittelua varten

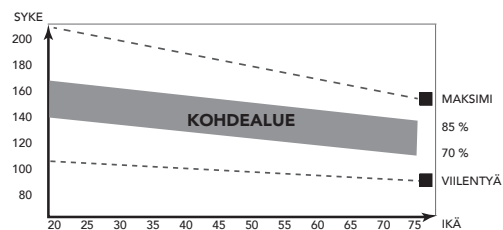
Kuntolaitteen käyttö tarjoaa monia etuja: se parantaa fyysistä kuntoa, kiinteyttää lihaksia ja hallittuun ruokavalion yhdistettynä se auttaa myös pudottamaan painoa.

Lämmittelyvaihe

Tämän vaiheen tarkoituksena on saada veri virtaamaan nopeammin ympäri kehoa ja panna lihakset tekemään työtä. Lämmittely vähentää myös kramppeihin ja lihavammojen riskiä. Suosittelemme, että teet muutaman venyttelyharjoituksen alla olevan kuvan mukaisesti. Jokaisen venytyksen tulisi kestää noin 30 sekuntia. Älä tee venytyksiä väkisin tai nykäisten - jos tunnet kipua, LOPETA.

Harjoitteluvaihe

Tämä on se vaihe, jossa ponnistelet. Säännöllisen harjoittelun tuloksena jalkojesi lihakset tulevat joustavammiksi. Tässä vaiheessa on hyvin tärkeää ylläpitää tasaista nopeutta koko ajan. Rasituksen tulisi olla riittävän suuri, jotta sykkeesi nousee tavoitealueelle alla olevan kaavion mukaisesti



Tämän vaiheen tulisi kestää vähintään 12 minuuttia, mutta useimmilla aloittelijoilla se on noin 15-20 minuuttia.

Jäähdyttelyvaihe

Tämän vaiheen tarkoituksena on antaa verenkiertojärjestelmäsi ja lihaksiesi palautua. Jäähdyttelyssä toistetaan lämmittelyvaiheen harjoitukset vähentämällä ensin nopeutta ja jatkamalla tällä nopeudella noin 5 minuuttia. Toista sitten venyttelyharjoitukset pitäen mielessä, että venytyksiä ei saa tehdä väkisin tai nykäisten. Kun kuntosi nousee, voit tarvita pidempiä ja raskaampia harjoituksia. On suositeltavaa treenata vähintään kolme kertaa viikossa, ja harjoittelut olisi hyvä jakaa tasaisesti viikon varrelle.

Lihasten kiinteytys

Jos tavoitteesi on lihasten kiinteytys, sinun pitää asettaa vastus suureksi. Silloin jalkojesi lihakset rasittuvat enemmän, etkä ehkä pysty treenaamaan niin pitkään kuin haluaisit. Jos tavoitteesi on myös kunnan kohentaminen, sinun pitää muuttaa harjoitteluohjelmaasi. Harjoittele lämmittely- ja jäähdyttelyvaiheissa normaalisti, mutta lisää vastusta harjoitteluvaiheessa, jotta jalkasi joutuvat tekemään enemmän työtä. Vähennä tarvittaessa nopeutta, jotta sykkeesi pysyy tavoitealueella.

Painon pudotus

Ratkaisevaa on se, miten rasittavaa harjoittelu on. Mitä enemmän ja mitä pidempään harjoittelet, sitä enemmän poltat kaloreita. Vaikutus on sama kuin jos harjoittelisit kunnon kohentamiseksi, vaikka tavoite on nyt toinen.

Syke**Sykkeen mittaus (sykevyö)**

Tarkin sydämen lyöntinopeus saadaan sykevyöllä. Sykemittaus tapahtuu käyttöliittymän sykevastaanottimen ja sykevyön lähettimen avulla.

Tarkka sydänmittaus edellyttää lähettinyön elektrodien olevan hieman kosteita ja jatkuvassa kosketuksessa ihoon. Jos elektrodit ovat liian kuivia tai liian kosteita, sykkeen mittaus voi olla epätarkempi.

VAROITUS

- Jos sinulla on sydäntahdistin, ota yhteys lääkäriin ennen sykevyön käyttöä.

HUOMAUTUS

- Jos useita sykemittauslaitteita on vierekkäin, varmista, että niiden keskinäinen etäisyys on vähintään 2 metriä.
- Varmistu, että laitteen sykevastaanottimen ja sykevyön lähettimen kantomatkan sisällä ei ole muita lähettämiä, jotka voisivat aiheuttaa häiriöitä mittauksessa.

ILMOITUS

- Pidä aina sykevyötä vaatteittesi alla suorassa kosketuksessa ihoosi. Älä pidä sykevyötä vaatteittesi päällä. Jos pidät sykevyötä vaatteittesi päällä, signaalia ei ole.
- Jos asetat rajan sydämen lyöntinopeudelle, rajan ylityessä kuuluu äänihälytys.
- Lähetin lähettää sykkeen korkeintaan 1,5 metrin etäisyydellä olevaan ohjauspaneeliin. Jos elektrodit eivät ole kosteita, sydämen lyöntinopeus ei tule näytölle.
- Jotkin vaatteiden kuidut (esim. polyesteri, polyamidi) synnyttävät staattista sähköä, mikä voi estää tarkan sydämen lyöntinopeuden mittauksen.
- Matkapuhelimet, televisiot ja muut sähkölaitteet luovat sähkömagneettisen kentän, joka voi estää tarkan sydämen lyöntinopeuden mittauksen.

Suurin sallittu sydämen lyöntinopeus (harjoituksen aikana)

Suurin sallittu sydämen lyöntinopeus on suurin lyöntinopeus, jonka henkilö voi turvallisesti saavuttaa harjoituksen rasituksella. Seuraavaa kaavaa käytetään laskemaan keskimääräinen suurin sallittu sydämen lyöntinopeus: 220 - IKÄ. Suurin sallittu sydämen lyöntinopeus vaihtelee henkilöstä toiseen.

VAROITUS

- Varmista, ettet ylitä sydämesi suurinta sallittua lyöntinopeutta harjoituksen aikana. Jos kuulut riskiryhmään, ota yhteys lääkäriin.

Aloittelija**50-60% suurimmasta sallitusta sydämen lyöntinopeudesta**

Sopiva aloittelijoille, painonvartijoille, toipilaille, ja henkilöille, jotka eivät ole harjoitelleet pitkään aikaan. Harjoittele vähintään kolme kertaa viikossa, 30 minuuttia kerrallaan.





Edistynyt**60-70% suurimmasta sallitusta sydämen lyöntinopeudesta**

Sopiva henkilöille, jotka haluavat parantaa ja ylläpitää kuntoaan. Harjoittele vähintään kolme kertaa viikossa, 30 minuuttia kerrallaan..

Ekspertti**70-80 % suurimmasta sallitusta sydämen lyöntinopeudesta**

Sopiva kunnoltaan erittäin hyvillä henkilöillä, jotka ovat tottuneet pitkäkestoisiin harjoituksiin.

Käyttö**Soutaminen**

	Aloitusasento Istu etunojassa selkä ja kädet suorina
	Liike Työnnä jaloilla itseäsi taaksepäin. Pidä kädet suorina..
	Vedon viimeistely Jatka liikettä niin, että koukistetut käsivartesi ohittavat lantionseudun.
	Loppuasento Taivu ylävartalostasi eteenpäin, lantiosi ylle.
	Uusi liike Pala aloitusasentoon ja toista.

Liikkeen aloitus

Tartu soutukapulaan ja aloita liike hieman etunojassa, polvet koukussa ja käsivarret suorina. Työnnä jaloilla voimakkaasti taaksepäin suoristaen samalla selkäsi ja polvet.

Vetoliike

Jatka liikettä kevyeen takanojaan. Koukista samalla käsivarsia niin, että käsivarret ohittavat lantiosi.

Paluu alkuasentoon

Palaa takaisin alkuasentoon ja toista liike.

Ohjauspaneeli (kuva D-1)



⚠ HUOMAUTUS

- Pidä ohjauspaneeli pois suorasta auringonvalosta.
- Kuivaa ohjauspaneelin pinta, jos siihen on tippunut hikeä.
- Älä nojaa ohjauspaneeliin.
- Kosketa näyttöä vain sormenpäälläsi. Älä kosketa näyttöä kynsiläsi tai terävillä esineillä.

🔊 ILMOITUS

- Ohjauspaneeli siirtyy valmiustilaan, kun laitetta ei ole käytetty 4 minuuttiin.

Näytön toimintojen selitykset

Time/ 500m

- Tarkoittaa aikaa, joka tarvitaan tämänhetkisellä soututeholla harjoitukseen, kun harjoitusmatka on 500 metriä.
- Alue: 0 ~ 99:00 min.

SPM

- SPM tarkoittaa vetoja minuutissa (Strokes per Minute), ja tässä kohdassa näkyy keskimääräinen vetomäärä minuutissa harjoituksen aikana.
- Näyttöalue: 0 ~ 999

Distance (Matka) M

- Jos tavoitearvoa ei ole määritetty, harjoitusmatkan arvo kasvaa.
- Kun tavoitearvo asetetaan, matkaa lasketaan tavoitematkasta arvoon 0, jonka jälkeen kuuluu hälytysääni tai hälytys vilkkuu.
- Alue: 0 ~ 99999 M. (\pm 100 M)

Time (Aika)

- Jos tavoitearvoa ei ole määritetty, ajan arvo kasvaa.
- Kun määritetään tavoitearvo, aika alkaa harjoitusaikatavoitteesta ja etenee nolnaan, minkä jälkeen kuuluu tai näkyy hälytys. Aikalukema jatkaa kasvamistaan, jos harjoittelua ei lopeteta tavoitearvon saavuttamisen jälkeen.
- Ellei monitorille lähetetä mitään signaalia 4 sekuntiin harjoituksen aikana, harjoitusajan mittaus pysähtyy
- Alue: 0.00 - 99.59

Vedot

- Näyttää aktiivisen harjoittelukerran aikana kertyneet vedot.
- Alue: 0 ~ 99999 \pm 1 vetoa.

Calories (kalorit)

- Jos tavoitearvoa ei ole määritetty, kalorimäärä kasvaa.
- Kun tavoitearvo asetetaan, kaloreita lasketaan tavoitekaloreista arvoon 0, jonka jälkeen kuuluu hälytysääni tai hälytys vilkkuu. Kalorilukema kasvaa edelleen, jos harjoittelua ei lopeteta tavoitteen saavuttamisen jälkeen.

- Laskee automaattisesti harjoittelun aikana poltetut kalorit.
- Alue: 0 ~ 9999 kilokaloria.

HUOMAUTUS!!

- Nämä tiedot muodostavat suurpiirteisen oppaan eri harjoitusjaksojen vertailuun. Niitä ei voi käyttää lääketieteellisessä hoidossa.

Pulse (Syke)

- Tämänhetkinen pulssi näkyy kuuden sekunnin kuluttua siitä, kun konsoli on havainnut sen.
- Jos pulssisignaalia ei näy kuuteen sekuntiin, konsolin näytölle tulee "P".
- Pulssihälytys kuuluu, kun nykyinen pulssi ylittää tavoitepulssin.
- Alue: 0-30 ~ 230 BPM

WATTS (WATIT)

- Näyttää nykyisen harjoittelun watteina.
- Alue 0 ~ 999

Load (Kuormitus)

- Näyttää vastustason asetuksen säädön aikana 3 sekunnin ajan.
- Alue: 1 ~ 16

Toiminta

Laitteen kytkeminen päälle

- Laita pistotulppa pistorasiaan, tietokone käynnistyy ja näyttää LCD:llä kaikki segmentit 2 sekuntia.
- Voit aktivoida virransäästötilassa olevan konsolin painamalla mitä tahansa näppäintä.

Kellon asettaminen

- Nollaa mittari painamalla ja pitämällä painettuna MODE-painiketta ja RESET-painiketta 2 sekuntia.
- Aseta kello painamalla UP-painiketta tai DOWN-painiketta.

Painikkeiden selitykset

Reset

- Asetustilassa voit nollata nykyisen toiminnon luvut painamalla kerran RESET-painiketta.
- Nollaa kaikki toimintoluvut painamalla RESET-painiketta yhtäjaksoisesti kahden sekunnin ajan

Start/Stop

- Aloita tai lopeta (keskeytä) harjoitus.

Recovery (Palautuminen)

- Kun konsoli on havainnut sykesignaalin, paina RECOVERY-painiketta siirtyäksesi palautumistilaan, jotta voit seurata sykkeen palautumiskykyä

Ylös

- Suurena vastustasoa harjoittelun aikana.
- Valinnan määrittäminen.

Mode (tila)

- Vahvasta asetus tai valinta.

Alas

- Pienennä vastustasoa harjoittelun aikana.
- Valinnan määrittäminen.

Toiminta

Laitteen kytkeminen päälle

- Kytke virtalähde käynnistääksesi tietokoneen.
- Kytke lepotilassa oleva konsoli päälle painamalla mitä tahansa painiketta.
- Kytke lepotilassa oleva konsoli päälle alkamalla polkemaan.

Laitteen kytkeminen pois päältä

- Jos monitorille ei lähetetä mitään signaalia 4 minuuttiin, se siirtyy automaattisesti LEPOTILAAN.
- Irrota virtalähde katkaistaksesi tietokoneesta virran välittömästi.

Ohjelmat

Pika-aloitus

- Paina START/STOP-painiketta aloittaaksesi harjoittelun ilman ennalta määritettyjä asetuksia.
- Käytä YLÖS/ALAS-painikkeita säätääksesi vastustasoa harjoittelun aikana.

Lopeta harjoituksesi

- Pysäytä/keskeytä harjoituksesi painamalla START/STOP-painiketta harjoittelutilassa. Jatka harjoitustasi painamalla START/STOP-painiketta taukotilassa.
- RESET-näppäimellä voit nollata konsolin. (Käynnissä olevan harjoituksen tiedot menetetään.)

Manuaalinen tila

- Valitse harjoitteluohjelma YLÖS/ALAS-painikkeilla, valitse MANUAL-tila ja paina MODE-painiketta siirtyäksesi manuaalisen tilan seuraavaan asetukseen.
- Käytä YLÖS/ALAS-painiketta asettaaksesi ennalta määritetyn harjoitusajan ja vahvista asetus painamalla MODE-painiketta.
- Vahvistuksen jälkeen voit määrittää myös kalorit ja sykerajan.

⚠ HUOMAUTUS

- Jos asetat useamman kuin yhden tavoitteen, harjoitus päättyy, kun ensimmäinen tavoite on saavutettu.
 - Jätä tavoite tyhjäksi, niin sitä ei katsota ennalta määritetyksi rajaksi.
 - Harjoituksen aika- ja matkatavoitteita ei voi asettaa yhdessä.
 - Syke ei ole harjoituksen päättymisraja. Jos ennalta määritetty sykeraja (PULSE) ylittyy jatkuvasti, kuuluu piippaus.
- Paina START/STOP-painiketta aloittaaksesi harjoittelun
 - Käytä YLÖS/ALAS-painiketta säätääksesi vastustasoa. Kuormitustaso näkyy LOAD (kuormitus) -ikkunassa.

Ohjelma (Kuva F)

- Valitse PROGRAM (ohjelma) -tila YLÖS/ALAS-painikkeella ja vahvista MODE-painikkeella.
- Käytä YLÖS/ALAS-painiketta harjoitusohjelman valintaan ja vahvista asetus painamalla MODE-painiketta.
- Voit säätää aikaa YLÖS/ALAS-painikkeella, vahvista MODE-painikkeella.
- Paina START/STOP-painiketta aloittaaksesi harjoittelun.
- Voit säätää vastustasoa YLÖS/ALAS-painikkeella.

H.R.C. mode (tila).

- Käytä YLÖS/ALAS-painiketta harjoitusohjelman valintaan, valitse H.R.C. ja vahvista asetus painamalla MODE-painiketta.
- Voit säätää iän YLÖS/ALAS-painikkeella.
- Voit valita 55%, 75%, 90% tai TA YLÖS/ALAS-painikkeella.
 $55\% = (220 - \text{ikä}) \times 55\%$, $75\% = (220 - \text{ikä}) \times 75\%$
 $90\% = (220 - \text{ikä}) \times 90\%$, TA = tavoite (oletus = 100) Määritä tavoitearvo YLÖS/ALAS-painikkeella.

Vahvista painamalla MODE-painiketta.

- Voit säätää aikaa YLÖS/ALAS-painikkeella, vahvista MODE-painikkeella.
- Paina START/STOP-painiketta aloittaaksesi harjoittelun.
- Käytä RESET-painiketta siirtyäksesi takaisin päävalikkoon.

Kilpailutila.

- Käytä YLÖS/ALAS-painiketta harjoitusohjelman valintaan, valitse RACE (kilpailu) ja vahvista asetus painamalla MODE-painiketta.
- Voit säätää "Strokes per minute" (Vetoja minuutissa) -arvon tietokoneen simulaattorille (alue 10~95 ±5), vahvista MODE-painikkeella.
- Voit säätää matkan maaliin (alue 100~9900 metriä ±100) YLÖS/ALAS-painikkeella, vahvista MODE-painikkeella.
- Paina START/STOP-painiketta aloittaaksesi kilpailutoiminnon.

⚠ HUOMAUTUS

- Harjoitus päättyy, kun joko tietokone (PC) on päässyt tai sinä (U, käyttäjä) olet päässyt loppuun.

Käyttäjä

- Käytä YLÖS/ALAS-painiketta harjoitusohjelman valintaan, valitse User (käyttäjä) ja vahvista asetus painamalla MODE-painiketta.
- Voit säätää vastustason profiiliin ensimmäiselle alueelle YLÖS/ALAS-painikkeella. (Alue 1~16), vahvista painamalla MODE-painiketta.
- Toista tämä vaihe kaikilla muilla alueilla.
- Kun koko profiili on ohjelmoitu, vahvista painamalla "Mode"-painiketta yhtäjaksoisesti 2 sekunnin ajan.
- Voit säätää aikaa YLÖS/ALAS-painikkeella, vahvista MODE-painikkeella.
- Paina START/STOP-painiketta aloittaaksesi harjoittelun.
- Käytä RESET-painiketta siirtyäksesi takaisin päävalikkoon.

Recovery (Palautuminen)

- RECOVERY-painike on käytössä vain, jos pulssi havaitaan.
- AIKA on aluksi "0:60" (sekuntia) ja etenee nolnaan.
- Tietokoneessa näkyy F1-F6 taaksepäin laskemisen jälkeen sykkeen palautumistilan testaamiseksi. Käyttäjä voi katsoa sykkeen palautumistilan alla olevasta taulukosta.
- Palaa edelliseen näyttöön painamalla RECOVERY-painiketta uudelleen.

F1	Loistava
F2	Erinomainen
F3	Hyvä
F4	Kohtalainen
F5	Keskiarvon alapuolella
F6	Huono

Vianmääritys:

- Jos signaalia ei ole polkiessasi, tarkista kaapeli asianmukainen kytkentä.

⚠ HUOMAUTUS

- Päänäyttö kytkeytyy pois päältä, jos keskeytät harjoituksen neljäksi minuutiksi.
- Jos tietokone näyttää epänormaaleja tietoja, asenna muuntaja uudestaan ja yritä uudestaan.

Sovellus & Bluetooth

- Tämä konsoli voi muodostaa yhteyden älylaitteen sovellukseen Bluetoothin välityksellä. (iOS & Android)
- Luo Bluetooth-yhteys vain asennetun APP-yhteystilan avulla älykkäässä laitteessa.
- Kun konsoli on yhdistetty älylaitteeseen Bluetoothin välityksellä, konsoli kytkeytyy pois päältä.

⚠ HUOM

- Tunturi ainoastaan tarjoaa mahdollisuuden yhdistää kuntolaite Bluetooth-yhteyden välityksellä. Tunturi ei siten ole vastuussa muiden kuin Tunturi-tuotteiden vahingoista tai toimintahäiriöistä.
- Tarkista verkkosivuilla lisätietoja.

Puhdistus ja huolto

Laite ei vaadi erityishuoltoa. Laite ei vaadi uudelleenkalibrointia kokoonpanon, käytön ja ohjeiden mukaan suoritetun huollon jälkeen.

⚠ VAROITUS

- Irrota adapteri ennen puhdistusta ja huoltoa.
 - Älä käytä liuottimia laitteen puhdistukseen.
- Puhdista laite pehmeällä, imukykyisellä kankaalla jokaisen käytön jälkeen.
 - Tarkista säännöllisesti kaikkien ruuvien ja mutterien olevan tiukasti kiinni.
 - Voitele nivelet tarvittaessa.
 - Puhdista kiskojen sisäpinnat tarvittaessa, jotta istuin liikkuu mahdollisimman tasaisesti ja äänettömästi. Tarvittaessa voit parantaa istuimen liikettä lisäämällä kiskojen pintaan parafiinia.

Käyttöhäiriöt

Jatkuvasta laaduntarkkailusta huolimatta laitteessa saattaa esiintyä yksittäisistä komponenteista johtuvia yksilövikoja tai toimintahäiriöitä. Koko laitteen toimittaminen korjattavaksi on yleensä tarpeetonta, sillä vika on useimmiten korjattavissa ko. osan vaihdolla.

Mikäli laitteen toiminnassa ilmenee häiriöitä käytön aikana, ota välittömästi yhteys laitteen myyjään. Ilmoita laitteesi malli ja sarjanumero (sarjanumerotarran sijainnin näet tämän käyttöohjeen etukannen sisäpuolelta). Ilmoita lisäksi häiriön luonne, laitteen käyttöympäristö sekä ostopäivämäärä.

Mikäli tarvitset laitteeseesi varaosia, ota yhteys laitteen myyjään. Ilmoita aina laitteen malli, sarjanumero sekä tarvittavan osan varaosnumero. Varaosaluettelon löydät tämän oppaan lopusta. Laitteessa saa käyttää vain varaosalistassa mainittuja osia.

Kaukosäädin ei toimi

Kun ohjaustankoon yhdistetty kaukosäädin ei enää toimi, se ei todennäköisesti ole enää yhteydessä laitteeseen. Ohjaustangon säätöyksikön ja näytön välisen yhteyden palauttamiseksi ohjaustankoa on käytettävä ensin paristovirralla ennen soutilaitteen liittämistä. Siksi:

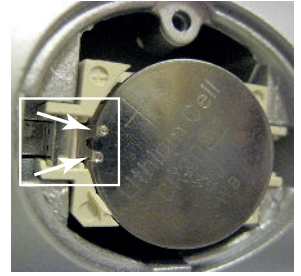
1. Irrota soutilaitteen muuntaja.
2. Avaa paristokotelo ohjaustangon takaa ja irrota CR2032-paristo. (Odota 2 sekuntia)
3. Asenna CR2032-paristo uudelleen ja sulje lokeron takakansi uudelleen.
4. Kytke soutilaitteen muuntaja uudelleen, ja odota vähintään 10 sekuntia (ellet odota 10 sekuntia, prosessi epäonnistuu).
5. Testaa laitteen toiminta painamalla näytön käynnistuspainiketta, ja käytä kaukosäätimen ylös/alas-näppäimiä nähdäksesi, onnistuuko kireyden säätäminen.

Tämän pitäisi palauttaa yhteys.

Jos kädensijaan yhdistetty kaukosäädin ei toimi, todennäköisin syy on, että kädensijan paristosta on loppunut virta. Vaihda CR2032-nappiparisto uuteen.

⚠ HUOM

- Varmista CR2032-paristoa asentaessasi, että asetat sen oikein päin, etteivät pariston navat tule väärin päin.
- Tarkista, että metallikoukku on pariston yläpuolella kuten kuvassa.
- Polariteetti: - alaspäin + ylöspäin

**Sykkivä rullat**

- Kun pyörät liikaa meteliä liikkueessaan, sovelletaan 2cc. voiteluainetta sekä kiskot.

⚠ VAROITUS

- Suosittelemme silikonipohjaista voiteluainetta.
- Liika voiteluaine voi liata matto tai pölyä vaurioita. Pyyhi liikaa voiteluainetta kuivalla liinalla.

Kuljetus ja säilytys**⚠ VAROITUS**

- Irrota adapteri ennen kuljetusta ja varastointia.
 - Vähintään kahden henkilön on kannettava ja siirrettävä laitetta.
- Seisokaa laitteen edessä sen kummallakin puolella ja tarttuka tiukasti kiinni käsitangoista. Nostakaa laitetta siten, että laitteen takapää on pyöriällä. Siirtäkää laite ja laskekaa se varovasti alas. Asettakaa laite suojalustalle lattiapinnan vaurioiden estämiseksi.
 - Siirrä laitetta varovasti epätasaisilla pinnoilla. Älä siirrä laitetta yläkertaan pyöriä käyttäen. Suorita siirto kahvatuista kantaen.
 - Säilytä laitetta kuivassa, mahdollisimman tasalämpötilaisessa paikassa.

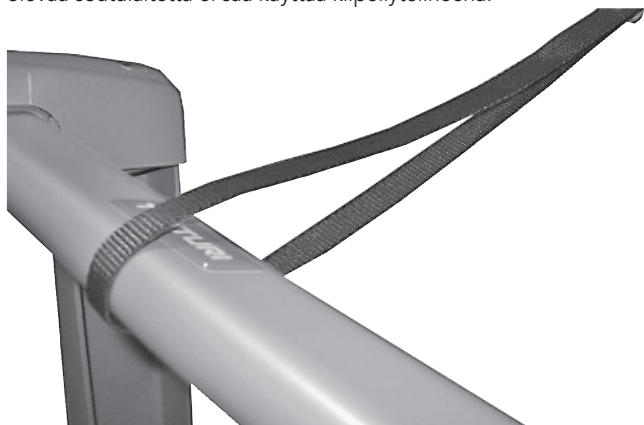
R60-soutilaitteen voi nostaa tilaa säästävään säilytysasentoon seuraavasti:

- Löysää eturungon alla olevaa lukitusnuppia, paina eturunkoa hieman alaspäin ja vedä lukitusnuppia ylöspäin.
- Avaa vasemmalla puolella oleva lukitusvalpa painamalla kielekettä sivulle. Nosta samalla eturunko ylös.



- Laske eturunko varovasti kiskojen väliin. Varmista, että eturunko on lukittunut.
- Tartu soutilaitteen takaosan poikkiputkeen ja nosta laite pystyyn etupään tukijalkojen varaan.

Säilytä soutilaitetta säilytysasennossa seinää vasten siten, ettei eturunko vahingossa avattaessa pääse kaatumaan kenenkään päälle. **TÄRKEÄÄ!** Laitteen mukana on toimitettu lenkki ja koukku, joiden avulla soutilaitte pysyy tukevasti säilytysasennossa. Valitse sopiva säilytyspaikka soutilaitteellesi seinän vierestä ja kiinnitä koukku tukevasti seinään oikealle korkeudelle. Nosta soutilaitte säilytysasentoon koukun eteen. Laitte soutilaitteen mukana toimitettu lenkki laitteen takaosan poikkiputken ympäri ja kiinnitä lenkki koukkuun. Säilytysasennossa olevaa soutilaitetta ei saa käyttää kiipeilytelineenä!



Lisätietoa laitteen omistajalle

Pakkauksen hävittäminen

Lainsäädäntö ohjeistaa meitä vähentämään kaatopaikoille toimitetun jätteen määrää. Sen vuoksi pyydämme sinua toimittamaan kaikki pakkauksijätteet sitä varten tarkoitettuun kierrätyspisteeseen.

Laitteen hävittäminen käyttöiän päätyttyä

Me Tunturilla toivomme, että iloitset kuntolaitteestasi vuosia. Jokainen kuntolaitte tulee kuitenkin aikanaan oman käyttöikänsä loppuun. Kotitalouksien sähkö- ja elektroniikkalaiteromua käsittelevien eurooppalaisten määräysten (WEEE) mukaan sinun kuuluu toimittaa kuntolaitteesi sitä varten tarkoitettuun keräyspaikkaan.

Tekniset tiedot

Parametri	Mittayksikkö	Arvo
Telemetrinen sykevastaanotin	äden yhteys 5.3~ 5.4 Khz. Bluetooth (BLE) ANT+	<input checked="" type="checkbox"/> <input checked="" type="checkbox"/> <input checked="" type="checkbox"/> <input checked="" type="checkbox"/>
Pituus	cm inch	197 77,6
Leveys	cm inch	50 19.7
Korkeus	cm inch	66 26
Paino	kg lbs	46.4 102.3
Suurin sallittu käyttäjän paino	kg lbs	135 300
Sovitin Jännite Virta	V Ma.	9V-DC 1,5 A.

Takuu

TTakuuehdot

Kuluttajalla on sovellettavan kulutustavaroiden kauppaa koskevan kansallisen lainsäädännön mukaiset lailliset oikeudet, eikä takuulla rajoiteta näitä oikeuksia. Omistajan Takuu on voimassa vain, mikäli laitetta käytetään Tunturi New Fitness BV:n kyseiselle laitteelle sallimassa käyttöympäristössä. Kunkin laitteen sallittu käyttöympäristö mainitaan laitteen käyttöohjeessa.

Takuuehdot

Takuuehdot tulevat voimaan tuotteen ostopäivästä lukien. Takuuehdot voivat olla erilaiset eri maissa, joten pyydä takuuehdot paikalliselta jälleenmyyjältä.

Takuun kattavuus

Missään olosuhteissa Tunturi New Fitness BV tai Tunturi-jälleenmyyjä ei vastaa ostajalle mahdollisesti aiheutuvista välillisistä vahingoista, kuten käyttöhyödyn tai tulojen menetyksestä taikka muista taloudellisista seurausvahingoista.

Takuun rajoitukset

Takuu kattaa työstä ja materiaalista johtuvat virheet kuntolaitteessa, joka on alkuperäisessä kokoonpanossaan. Takuu koskee vain virheitä, jotka ilmenevät normaalissa ja laitteen mukana tulleen ohjekirjan mukaisessa käytössä edellyttäen, että Tunturin asennus-, huolto- ja käyttöohjeita on noudatettu. Tunturi New Fitness BV:n ja Tunturin jälleenmyyjät eivät vastaa virheistä, jotka aiheutuvat heidän vaikutusmahdollisuuksiensa ulkopuolella olevista seikoista. Takuu on voimassa vain niissä maissa, joissa Tunturi New Fitness BV:llä on valtuutettu maahantuojia. Takuu ei koske sellaisia kuntolaitteita tai osia, joita on muutettu ilman Tunturi New Fitness BV:n suostumusta. Takuu ei koske virheitä, jotka johtuvat luonnollisesta kulumisesta, virheellisestä käytöstä, käytöstä olosuhteissa, joihin kuntolaitetta ei ole tarkoitettu, korroosiosta tai lastaus- tai kuljetusvahingoista.

Takuu ei koske käyttöäniä, jotka eivät olennaisesti haittaa laitteen käyttöä eivätkä johdu laitteesta olevasta virheestä. Takuu ei myöskään sisällä kunnossapitotoimenpiteitä, kuten puhdistusta, voitelua tai sen osien normaalia tarkistamista, eikä sellaisia asennustoimenpiteitä, jotka asiakas voi suorittaa itse ja jotka eivät edellytä erityistä kuntolaitteen purkamista / kokeamista. Tällaisia toimenpiteitä ovat esim. mittareiden, polkimien tai muiden vastaavien yksinkertaisten osien vaihdot. Muun kuin valtuutetun Tunturi-edustajan suorittamia takuukorjauksia ei korvata. Laitteen käyttöohjeen noudattamatta jättäminen aiheuttaa takuun raukeamisen.

Valmistajan vakuutus

Tunturi New Fitness BV vakuuttaa tuotteen täyttävän seuraavien standardien ja direktiivien vaatimukset: EN 957 (HB), 2014/30/EU. Tässä tuotteessa on sen vuoksi CE-merkki..

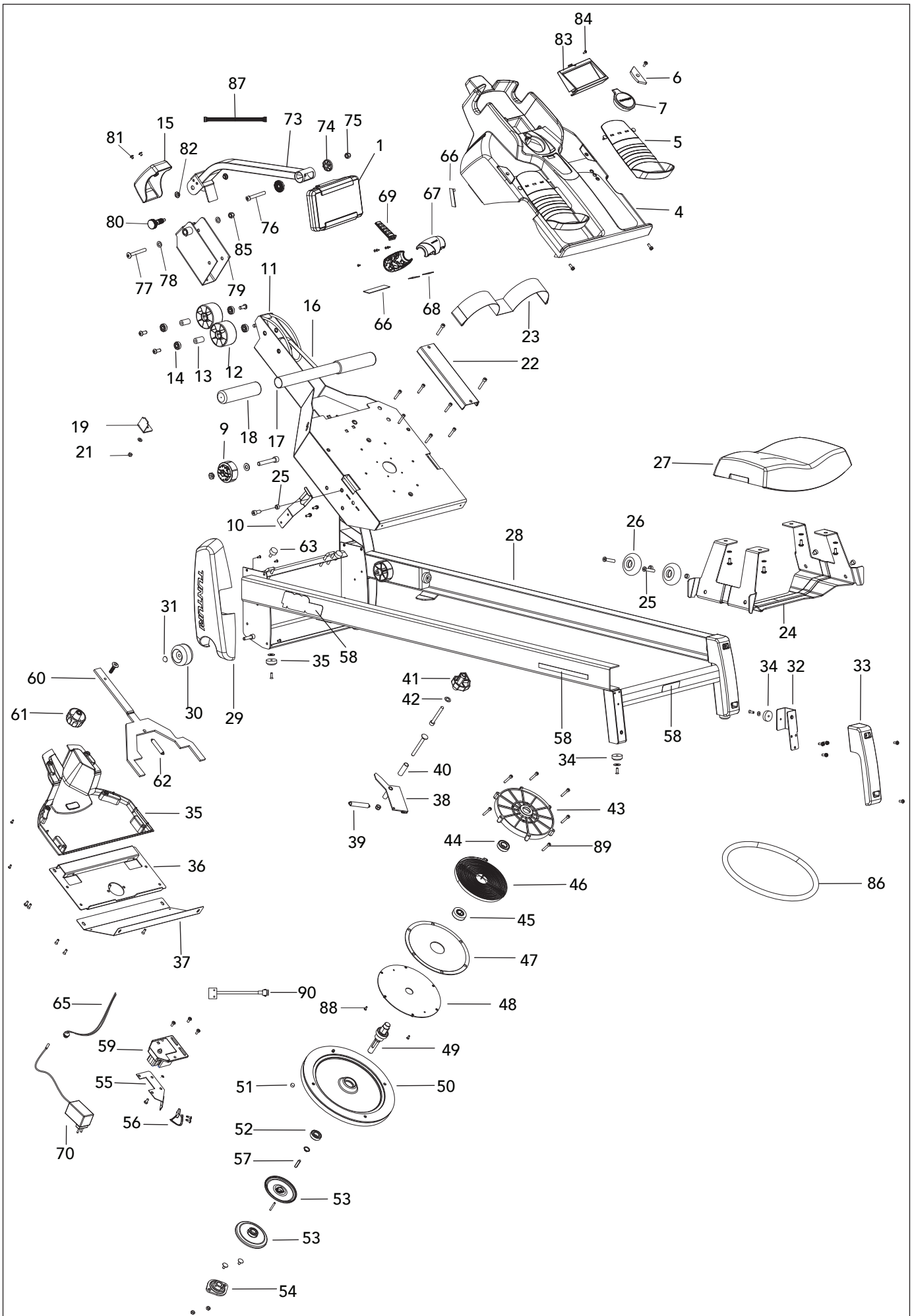
07-2020

Tunturi New Fitness BV
Purmerweg 1
1311 XE Almere
Alankomaat

Vastuuvapauslauseke

© 2020 Tunturi New Fitness BV
Kaikki oikeudet pidätetään.

- Tuote ja käyttöopas saattavat muuttua.
- Teknisiä tietoja saatetaan muuttaa ilman eri ilmoitusta.
- Katso käyttöohjeiden uusien versio verkkosivustoltamme.



NR	Description	Specs	Qty
1	User interface + BT		1
2	Membrane of NEW R60		1
4	Foot rest cover		1
	Screw	M5x14 DIN 7500	2
5	Foot rest, EUR		2
	Foot rest, USA		2
6	Plug		2
	Screw	M5x12 DIN 7985	2
7	Cap		1
9	Sleeve		2
	Hex socket cap screw	M10x65 DIN 912	2
	Washer	M10 DIN 125	2
	Nut	M10 DIN 934	2
10	Locking lever		1
	Screw	M5x14 DIN 7500	2
11	Frame		1
12	Pulley		2
13	Sleeve		2
14	Bearing	608Z	4
	Hex socket cap screw	M8x20 ISO 7380	4
15	Pulley cover		1
	Screw	M5x12 DIN 7985	1
	Hex socket cap screw	M6x16 DIN 912	1
16	Rope		1
17	Draw bar		1
18	Handle grip		2
19	Washer		1
21	Nylon nut		1
22	Foot strap bracket		1
	Hex socket cap screw	M6x35 DIN 912	2
23	Foot strap		1
24	Seat roller frame		1
25	Sleeve		4
26	Wheel		4
	Hex. socket cap screw	M8x35 ISO 7380	4
27	Seat		1
	Washer	M6 DIN 125	4
	Hex socket cap screw	M6x14 ISO 7380	4

NR	Description	Specs	Qty
28	Main frame		1
29	Frame cover, RH		1
	Frame cover, LH		1
	Screw	KA 35x12 WN 1411	8
30	Wheel		2
31	Retainer		2
32_L	Rear bracket, LH		1
32_R	Rear bracket, RH		1
	Screw	M5x14 DIN 7500	6
33	Rear support cover		2
	Screw	M5x12 DIN 7985	4
34	Foot plug		8
	Countersunk head screw	M5x16 DIN 7500 M	8
35	Case cover		1
	Screw	M5x12 DIN 7985	4
	Screw	KA 35x12 WN-1411	4
36	Frame under plate		1
	Countersunk head screw	M5x12 DIN 966	4
37	Under plate		1
	Screw	M5x12 DIN 7985	2
38	Brake slacker		1
	Lock screw	M8x80 DIN 603	1
	Nylock nut	M8 DIN 985	1
39	Spring		1
40	Spring		1
41	Adjustment wheel		1
43	Spring case (incl. 44 - 48)		1
44	Bearing		2
45	Spring hub		1
46	Spring		1
47	Damper		1
48	Spring case cover		1
	Screw	KA 35x12 WN-1411	2
	Hex socket cap screw	M5x30 DIN 912	6
49	Axle		1
50	Flywheel (incl. 51, 52)		1
51	Magnet		1
52	Bearing	6003ZZ C3	1

NR	Description	Specs	Qty
	Retainer	15 DIN 471	1
53	Belt wheel		2
	Cotter-pin		1
54	Bearing house		1
	Lock screw	M6x12 DIN 603	2
	Nylock nut	M6 DIN 985	2
55	Sensor bracket		1
56	Speed sensor		1
	Screw	3,5x13 DIN 7504-K	2
57	Spline		1
58	Label set		1
59	Servo motor		1
	Countersunk head screw	M5x12 DIN 966	2
	Nylon nut	M5 DIN 985	1
60	Locking lever		1
61	Knob		1
62	Spring		1
63	Bumper		2
64	Locking lever		4
	Hex socket cap screw	M6x14 ISO 7380	2
65	DC-Wire		1
66	Remote control card incl.40		1
67	Remote control cover (incl. 68)		1
	Screw	KB 22x7WN-1412	1
	Screw	KB 30x8 WN-1412	5
68-1	Membrane +		1
68-2	Membrane -		1
69	Bumper		1
70	Transformer EUR	9V 1.5A	1
71	Build -in receiver		1
72	Wire		1
73	Console support arm		1
74	Tube cap		2
75	Nylon Nut M8		1
76	Allen round head screwM8*80		1
77	Allen screw M8*65		1
78	Flat washer8.5*16*T1.5		2
79	Frame connection plate		1
80	Pull pin		1

NR	Description	Specs	Qty
81	Cross Screw M5*12		2
82	Rubber bushing		2
85	Hat Nut M8		1
83	Deco cover ,main body		1
84	Screw M6*16		1
85	Domed nut	M8	1
86	Vecro		1
87	Upper control wire		1
88	Auto philips screw	12mm	2
89	Hex socket head screw	30*M5	6
90	Speed sensor wire		1



Tunturi New Fitness BV

Purmerweg 1 NL - 1311 XE Almere
P.O. Box 60001 NL - 1320 AA Almere
The Netherlands

www.tunturi.com



20210603-W