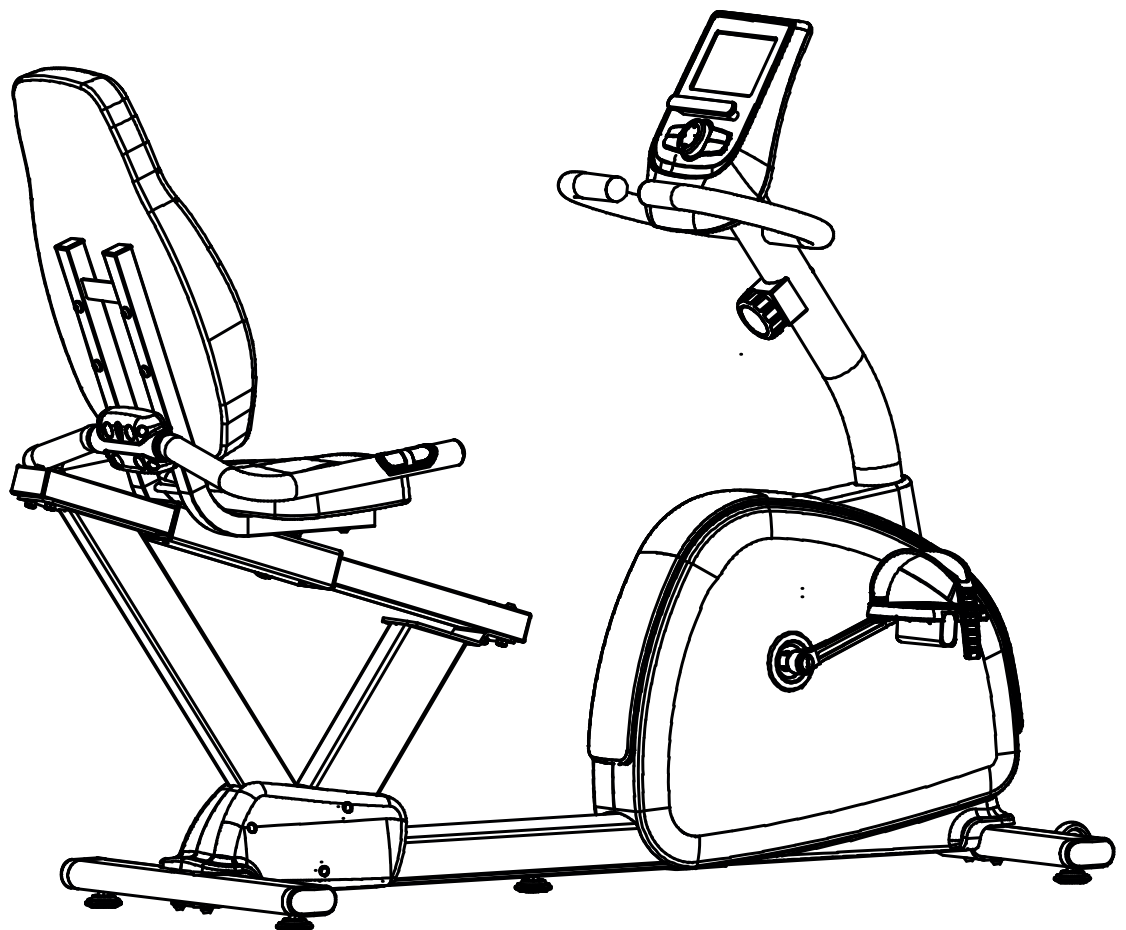


TUNTURI®

F20R Recumbent Bike

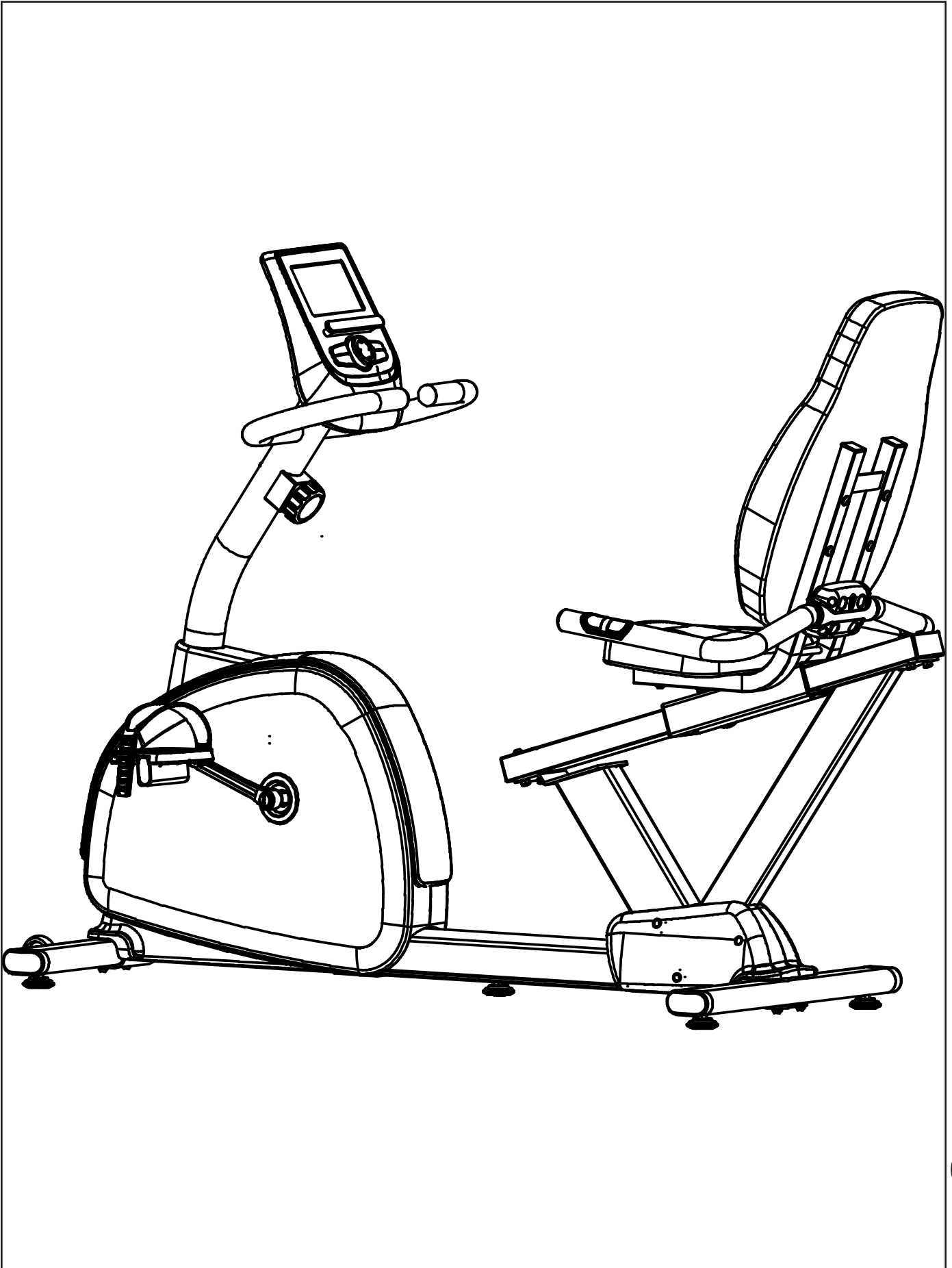
User manual
Benutzerhandbuch
Manuel de l'utilisateur
Gebruikershandleiding
Manual del usuario
Bruksanvisning
Käyttöohje



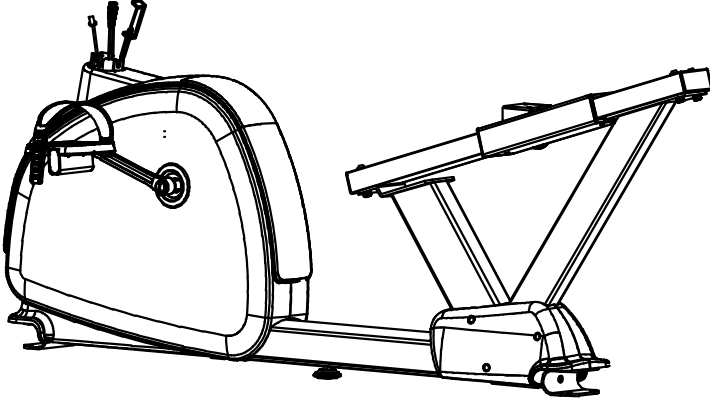
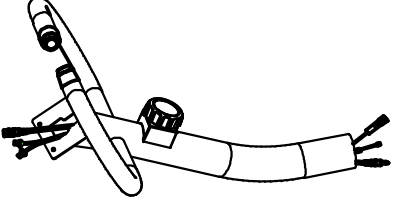
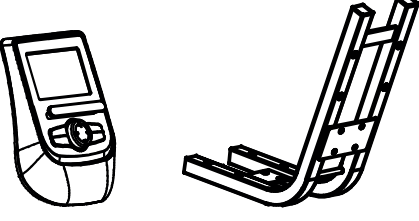


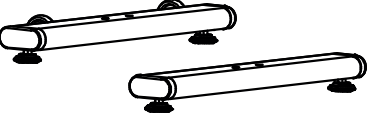


Attention, Achtung, Attention, Attentie, Atención, Giv akt, Huomio

- Please read this Owner's manual before assembling this product.
- Bitte lesen Sie dieses Handbuch durch, bevor Sie mit er Montage dieses Produkts beginnen.
- Veuillez lire ce manuel avant de commencer le montage de ce produit.
- Leest u deze handleiding voordat u dit apparaat installeert.
- Lea este manual antes de montar este producto
- Läs bruksanvisningen innan du monterar denna produkt
- Lue tämä käsikirja ennen kokoamista tuotetta

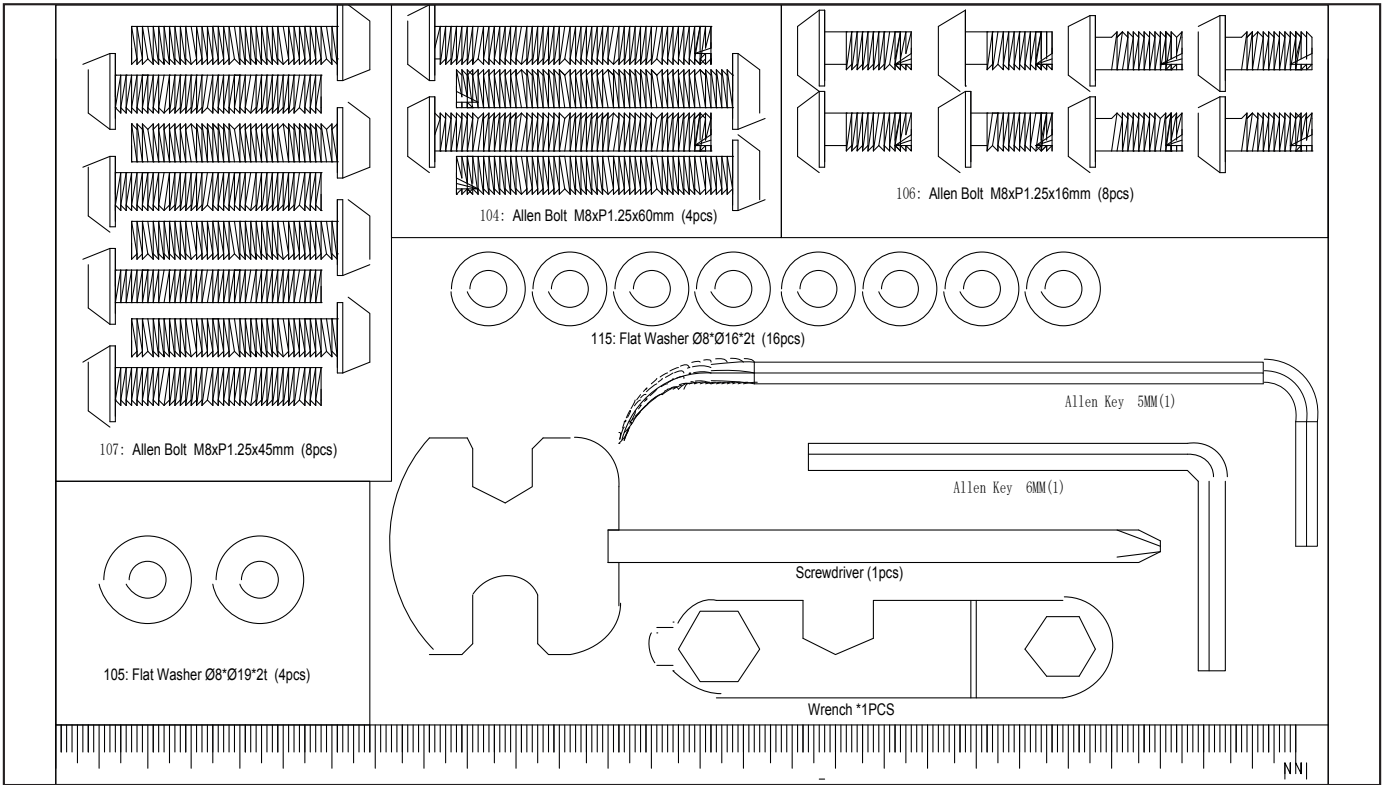
A



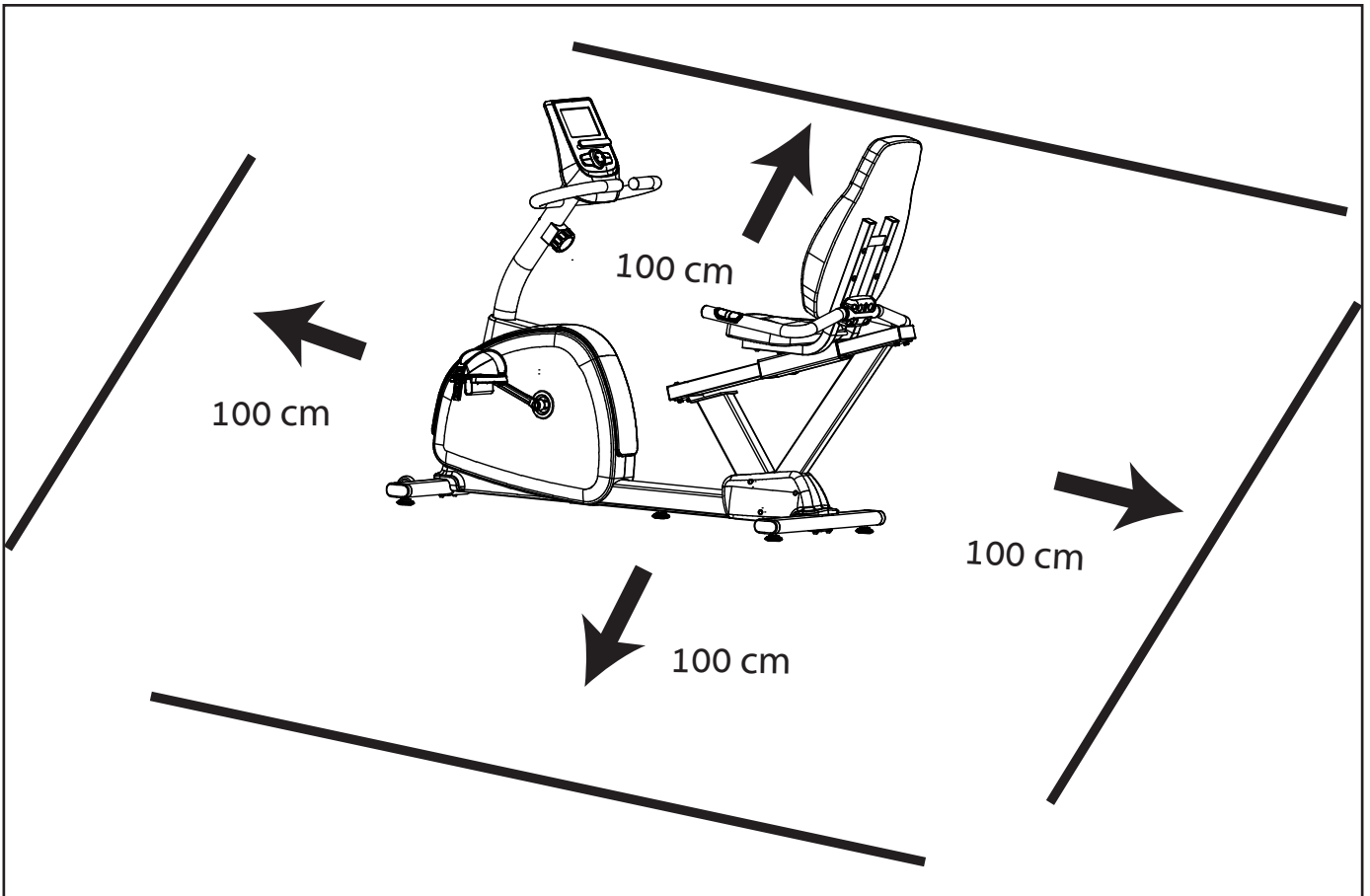
B

	<p>1</p>
	<p>1</p>
	<p>1 / 1</p>
	<p>1</p>
	<p>1 / 1</p>
	<p>1 / 1</p>
	<p>1 / 1</p>
	<p>1 / 1</p>

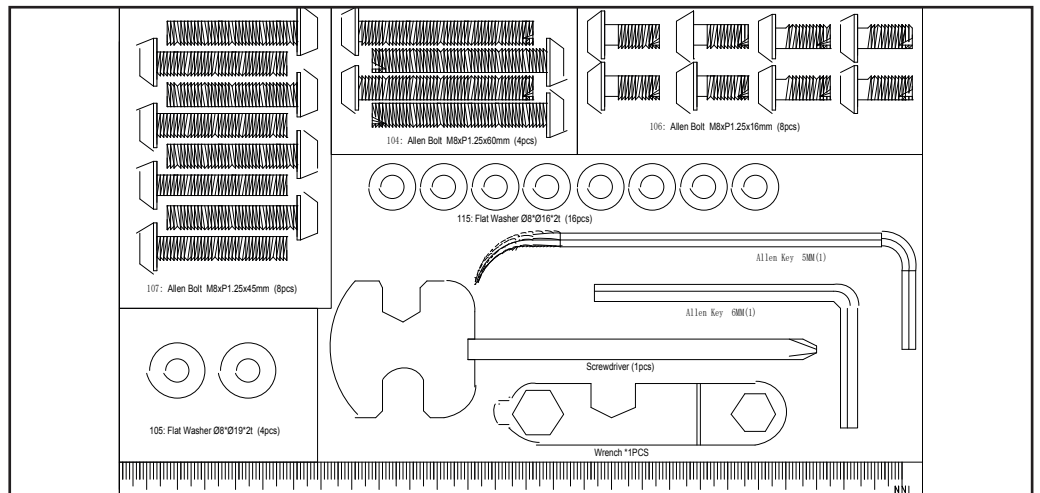
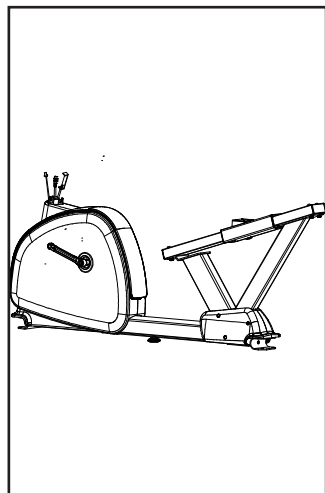
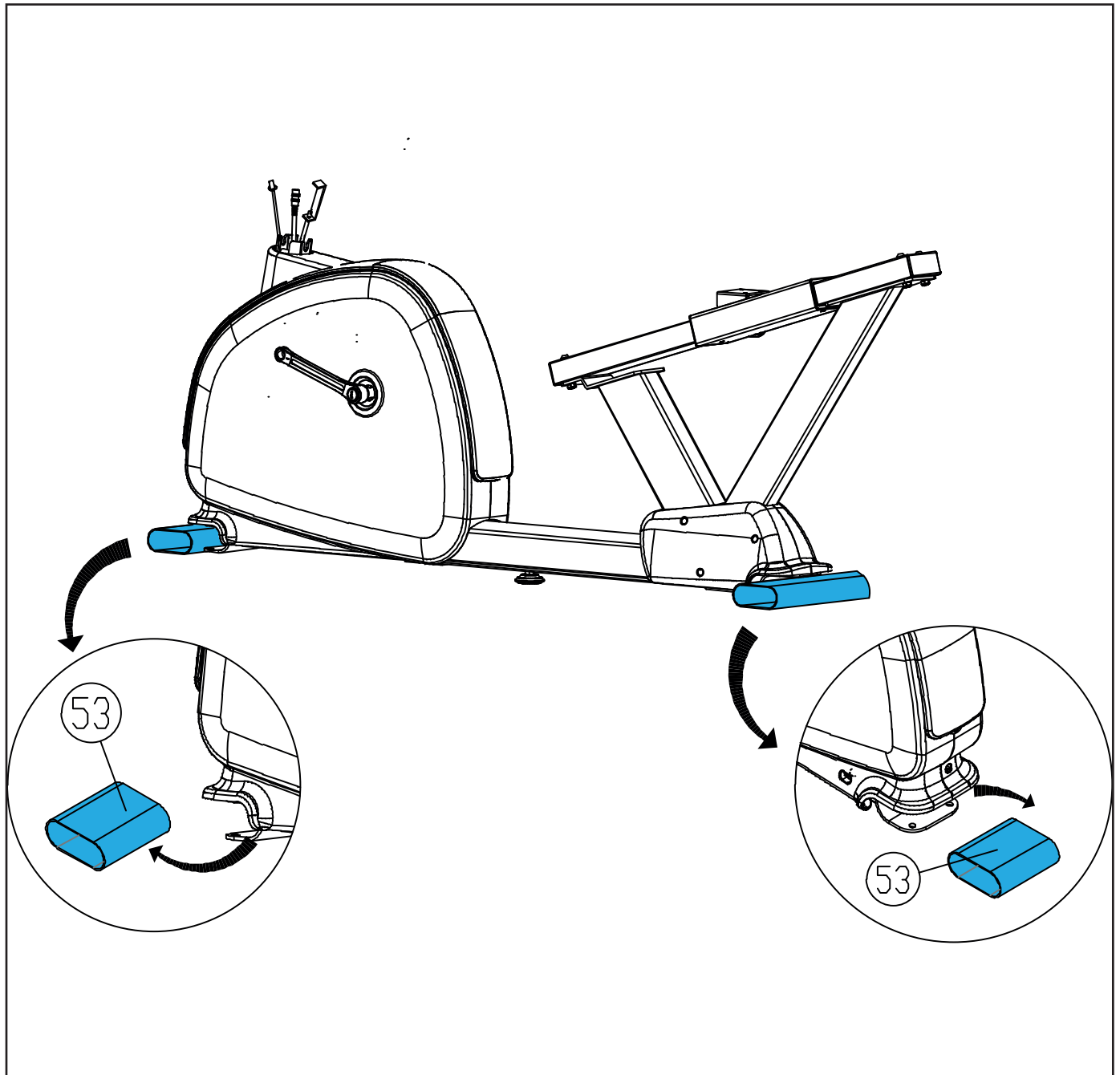
C



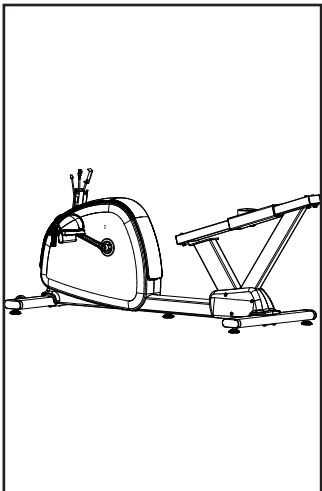
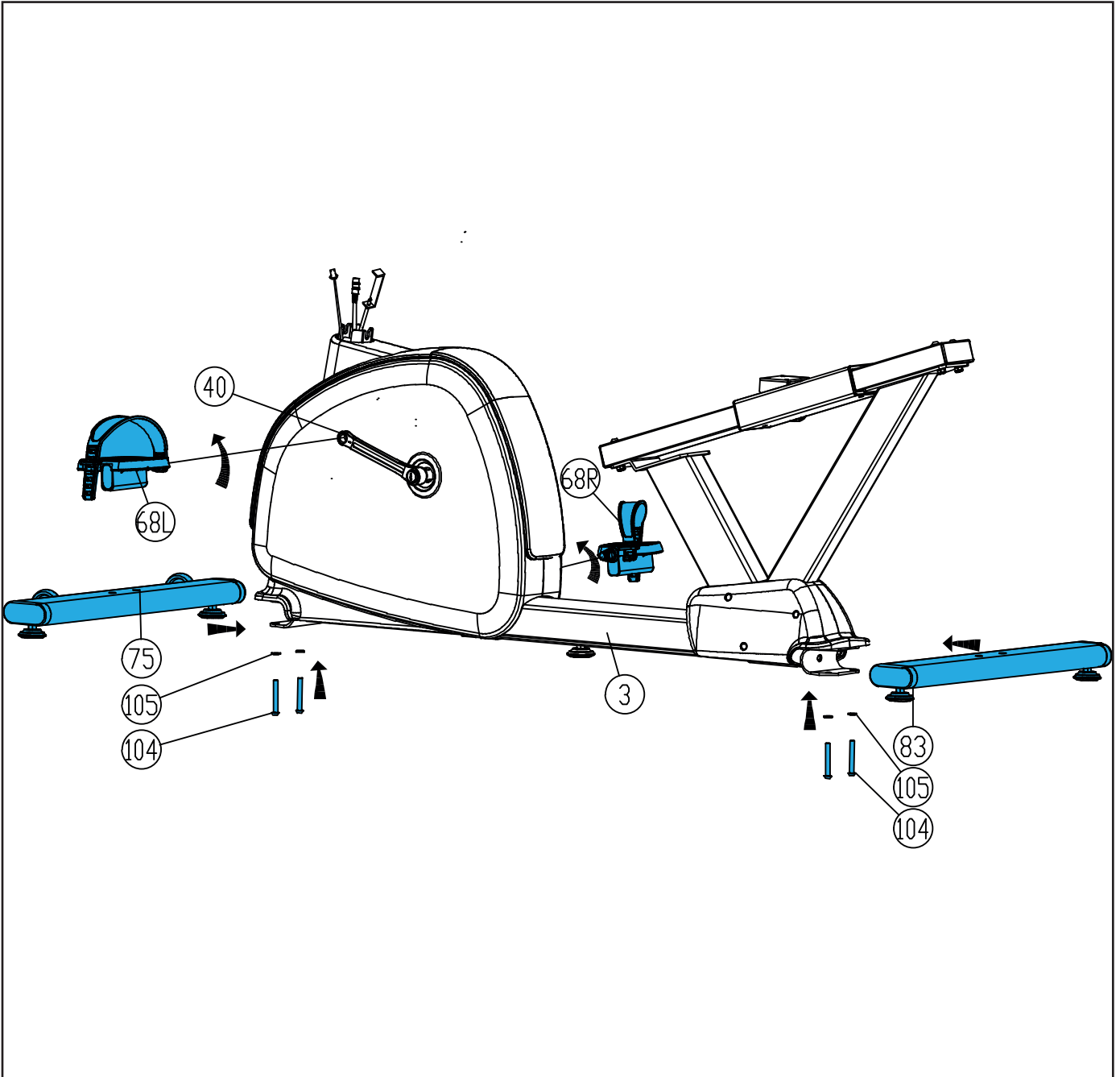
D-0



D-1



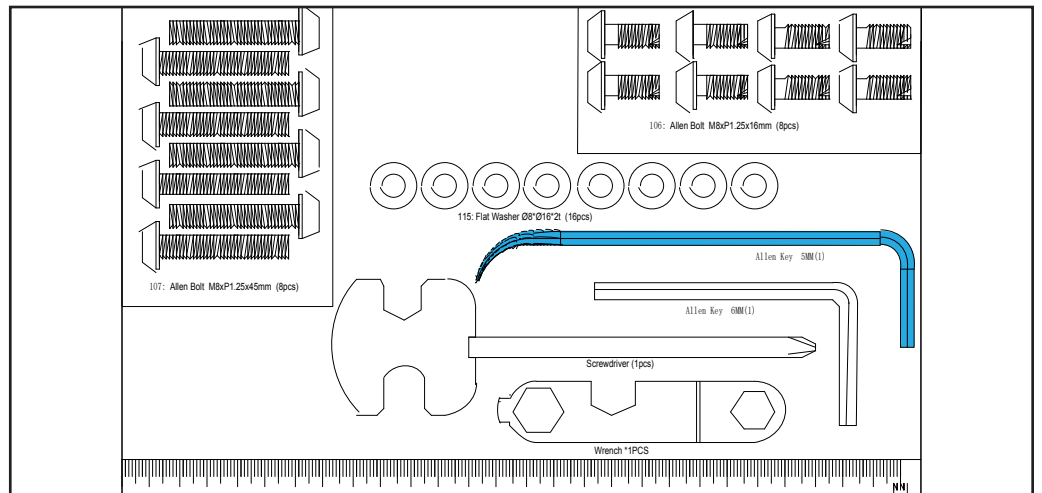
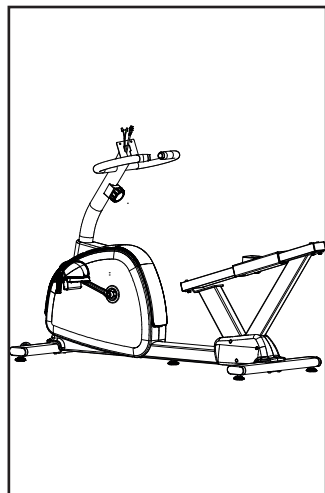
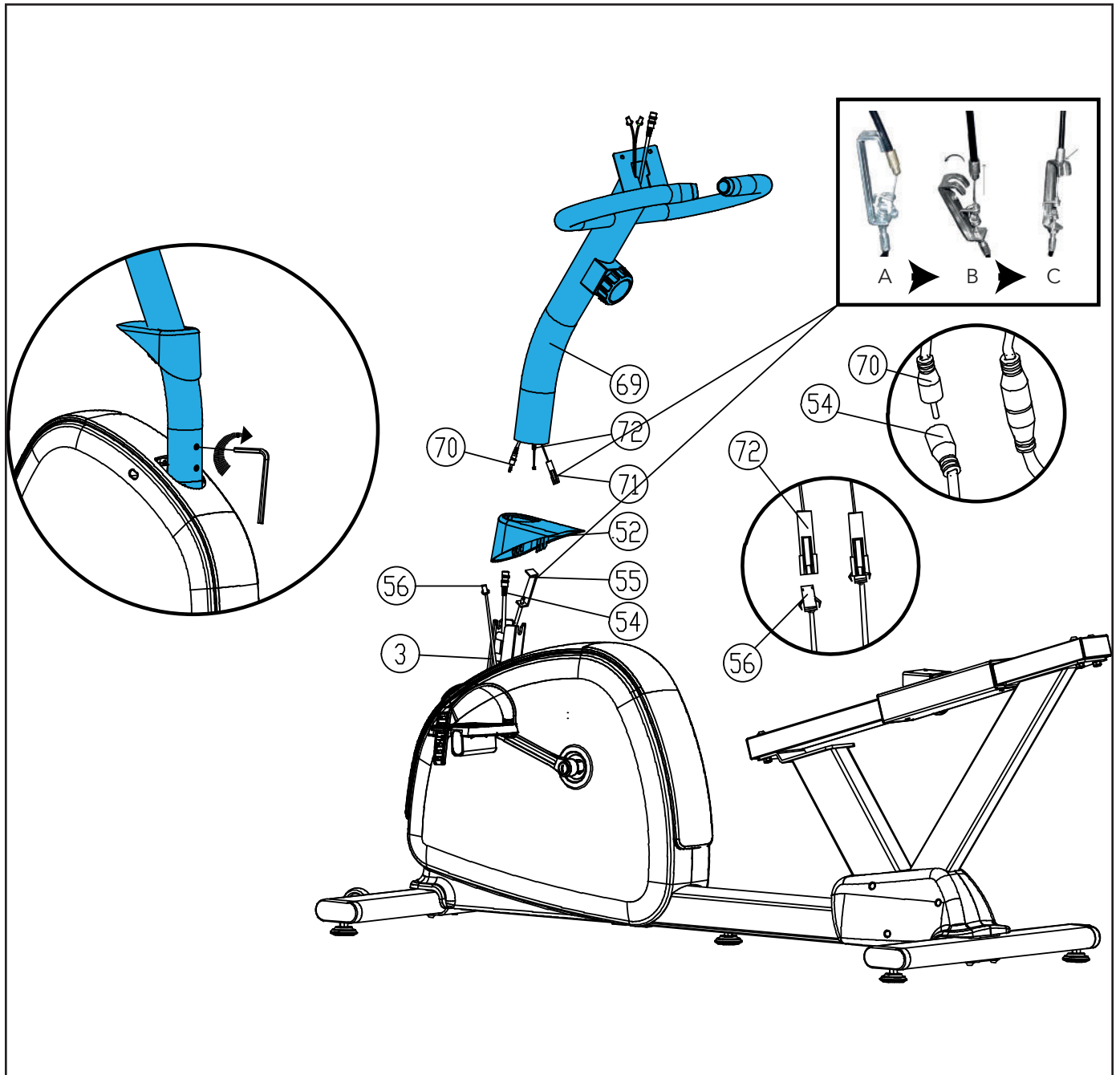
D-2



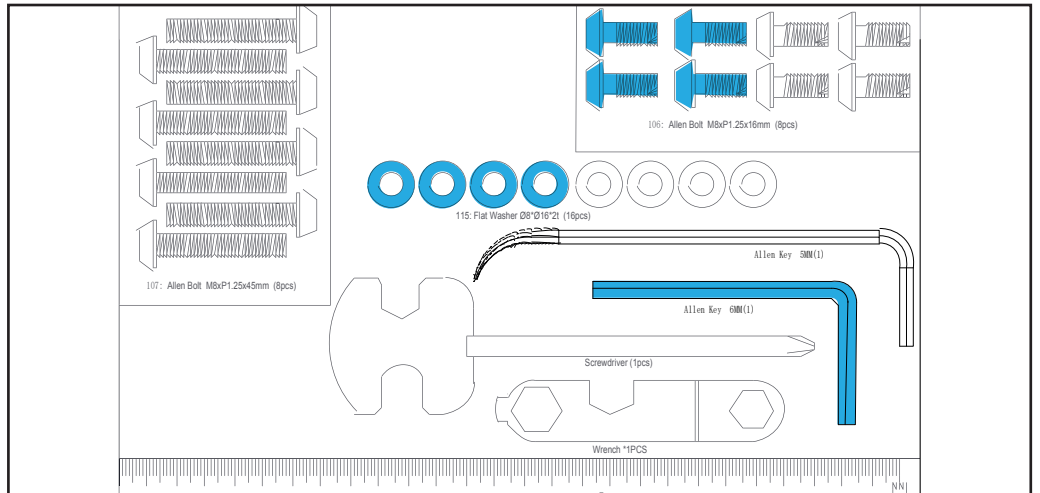
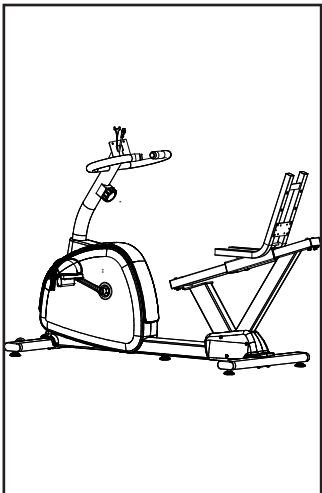
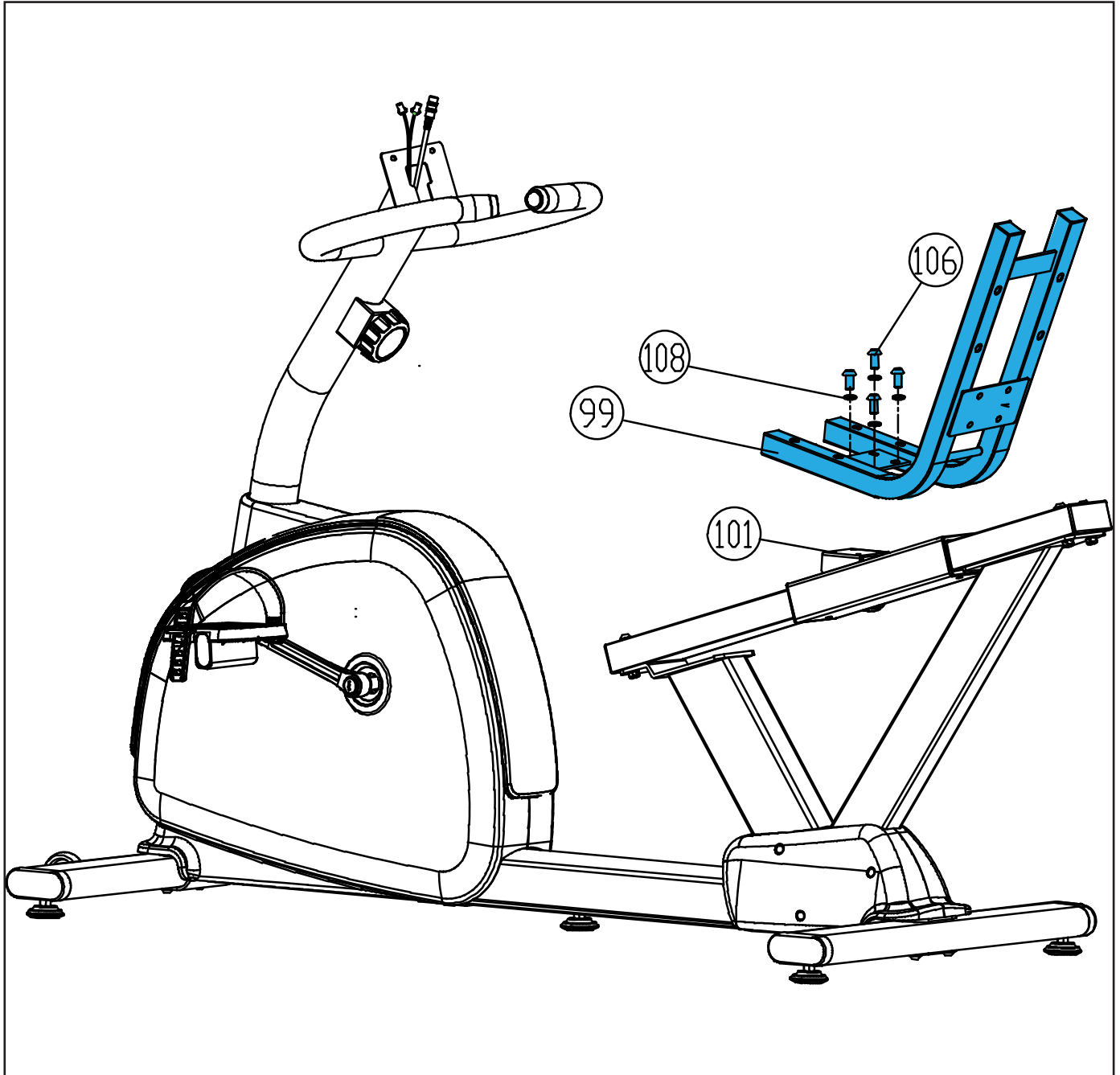
Parts list and tools section:

- 107: Allen Bolt M8xP1.25x45mm (8pcs)
- 104: Allen Bolt M8xP1.25x60mm (4pcs)
- 106: Allen Bolt M8xP1.25x16mm (8pcs)
- 105: Flat Washer Ø8*Ø19*2t (4pcs)
- 115: Flat Washer Ø8*Ø16*2t (16pcs)
- Allen Key 5MM (1)
- Allen Key 6MM (1)
- Screwdriver (1pcs)
- Wrench 11PCS

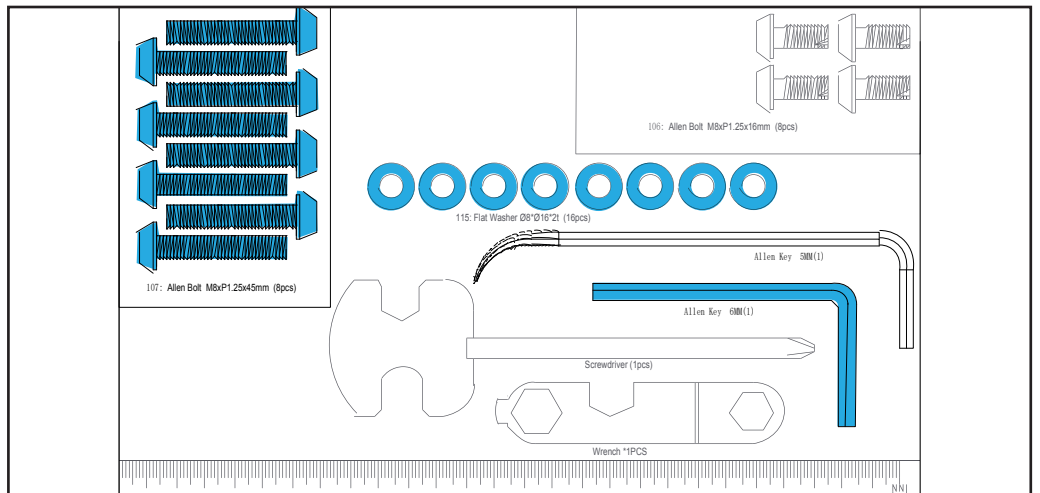
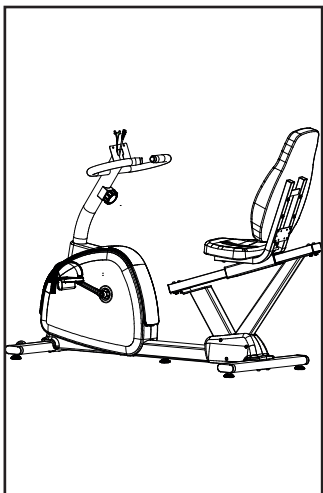
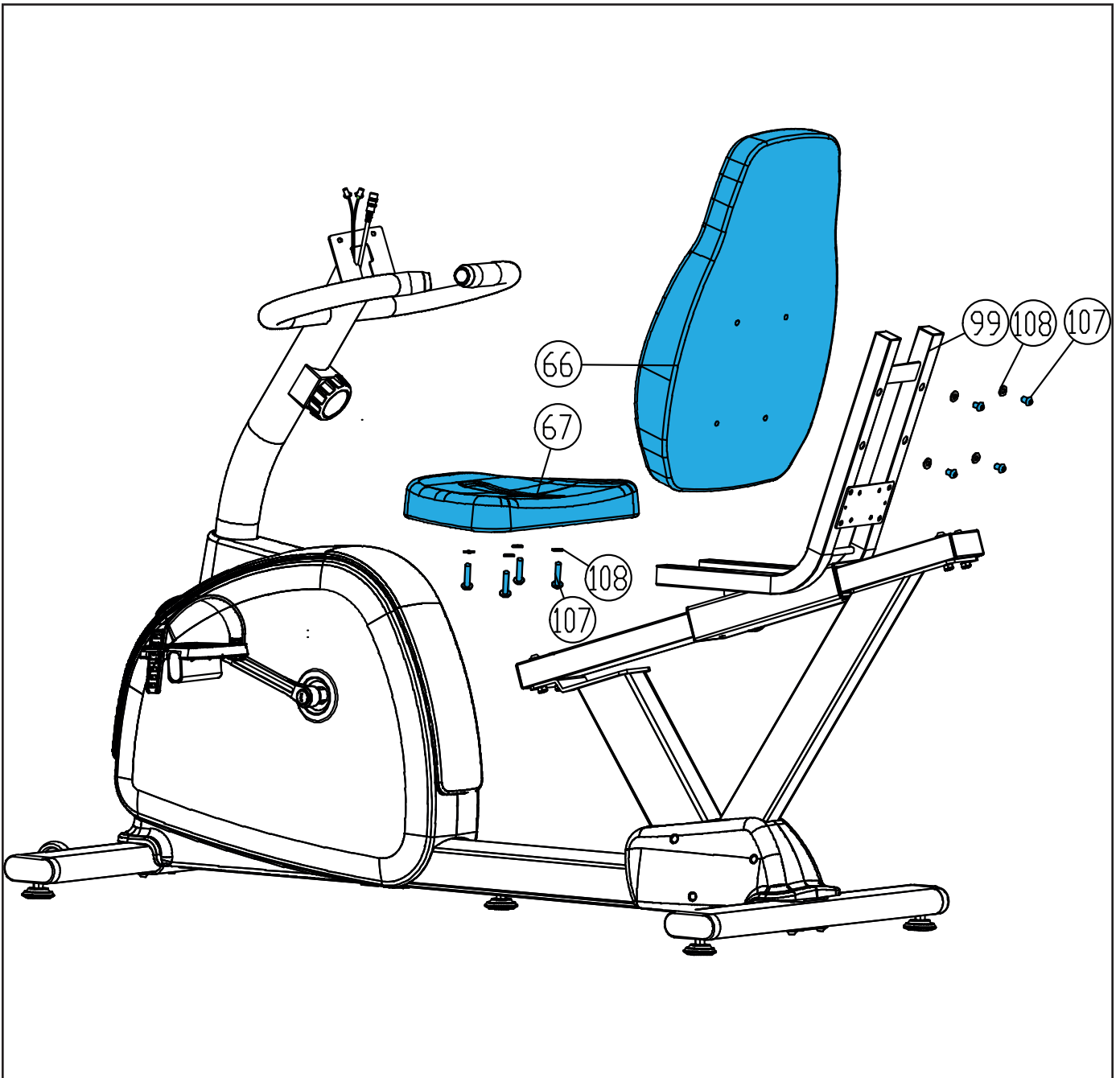
D-3



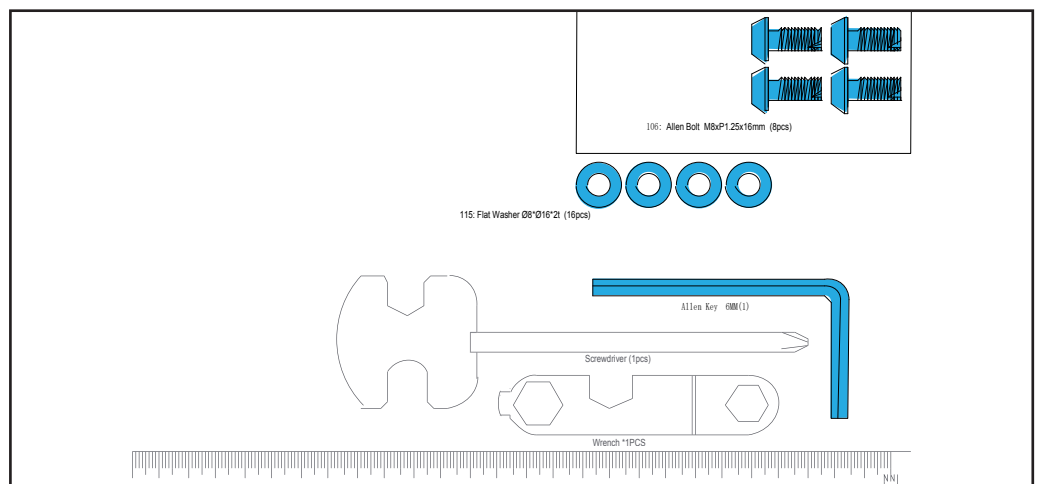
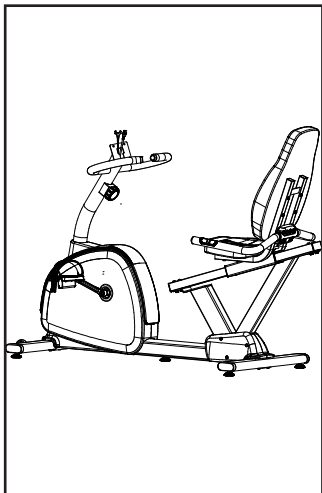
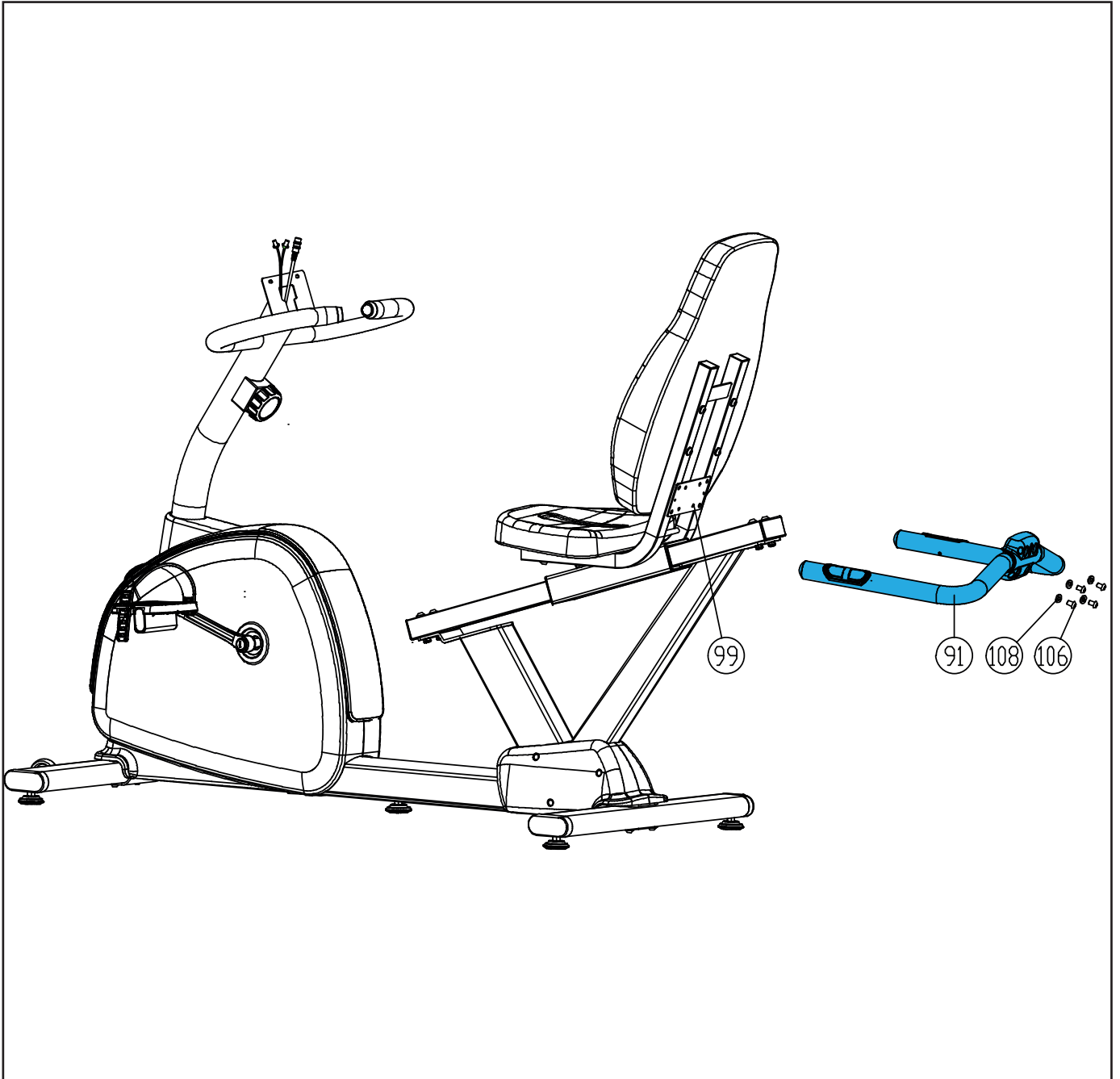
D-4



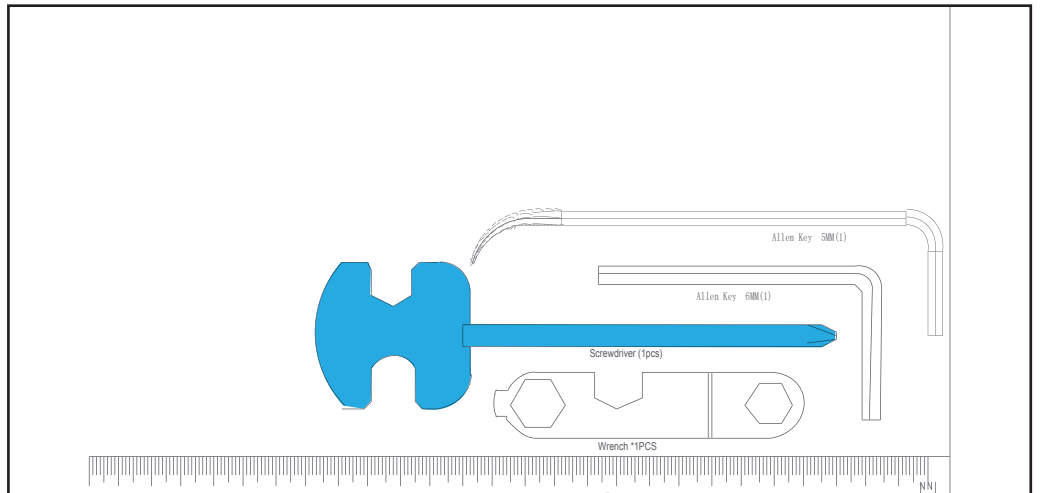
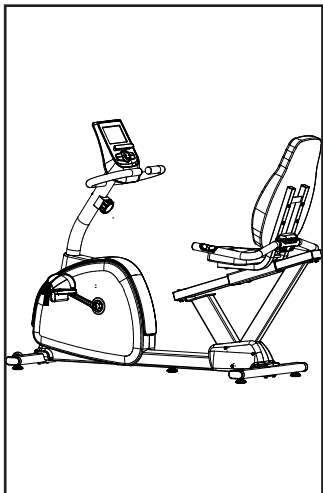
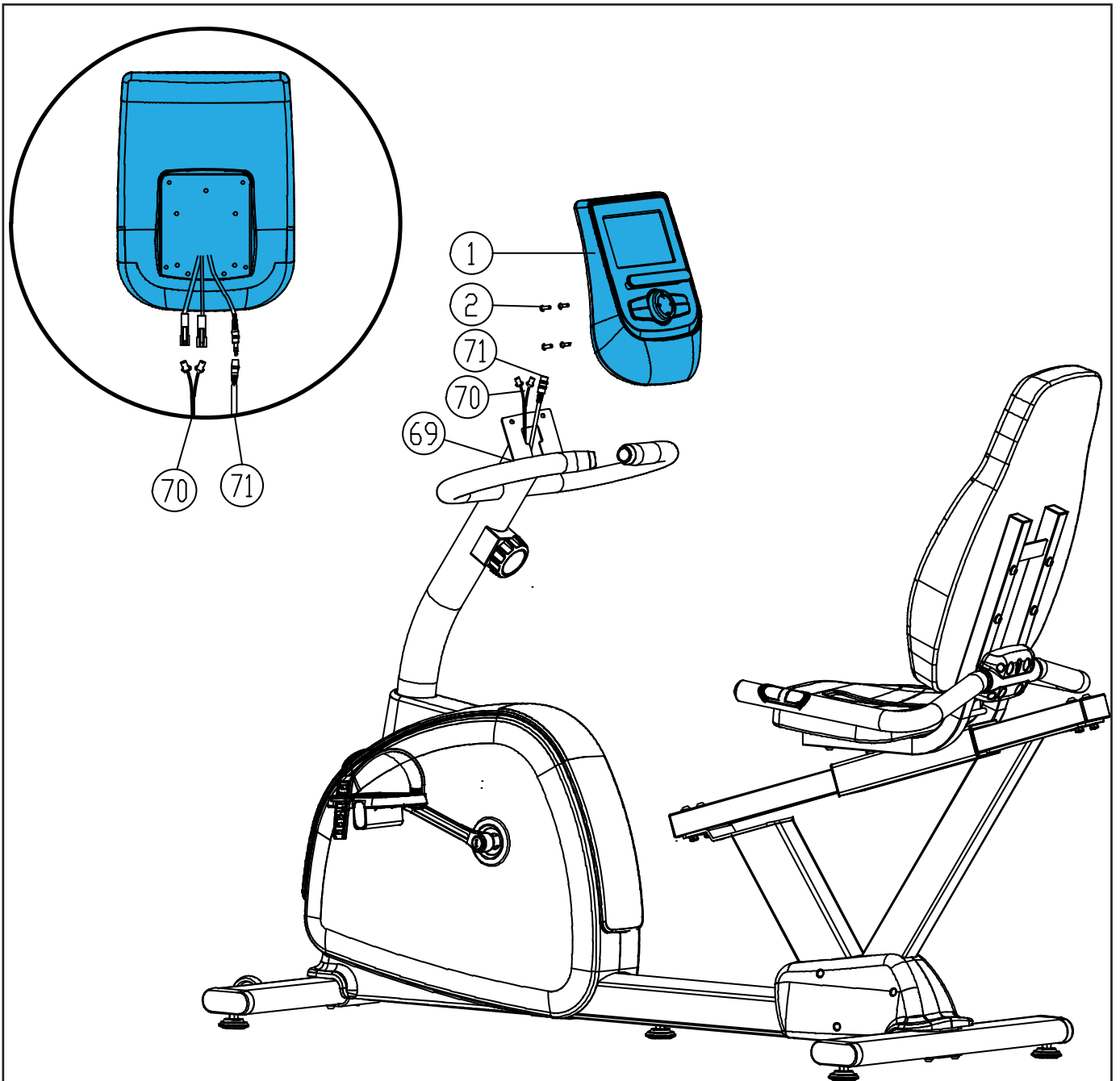
D-5



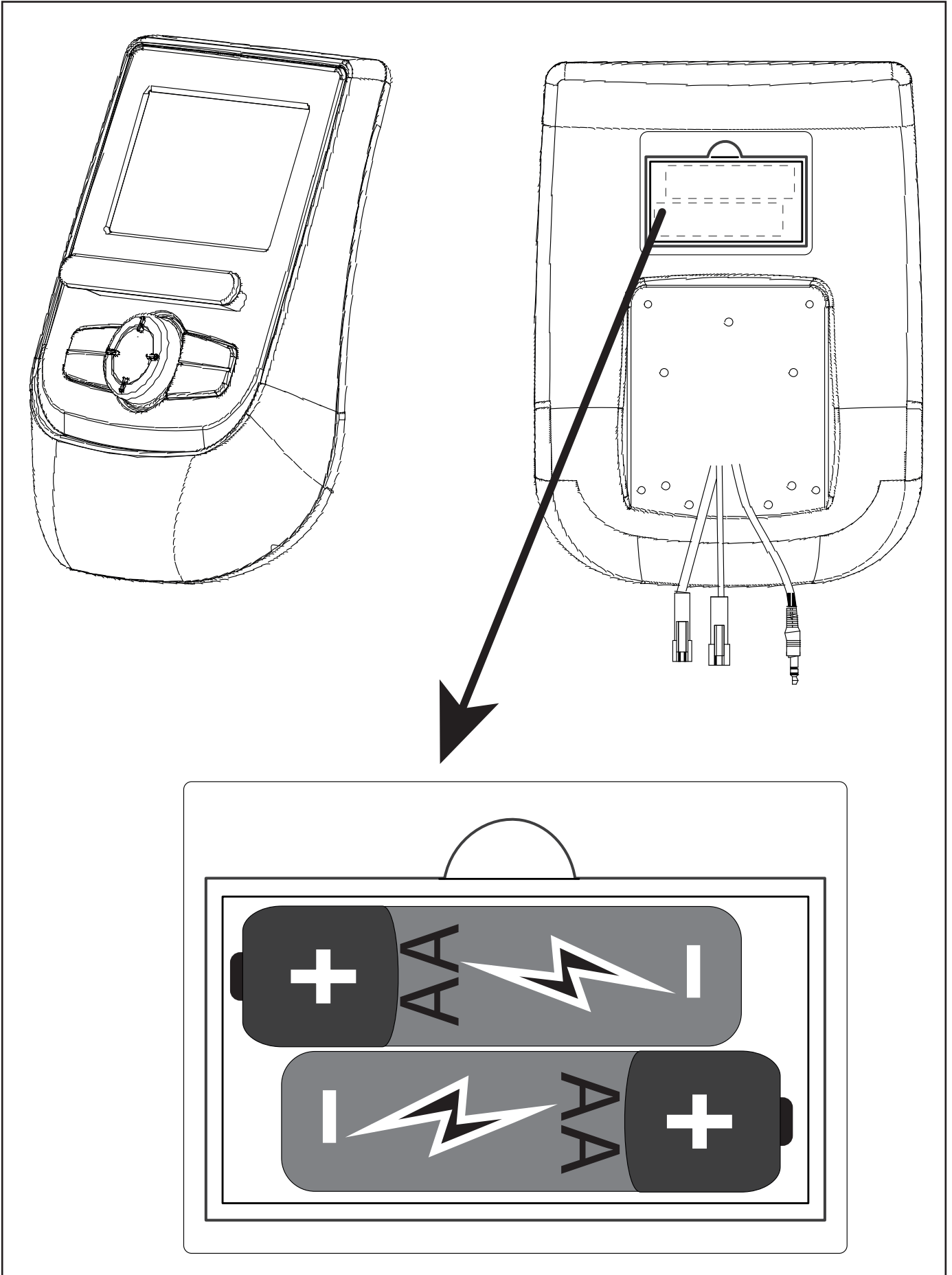
D-6



D-7



E



Index

Recumbent Bike	14
Safety warnings	14
Description (fig. A)	14
Package contents (fig. B & C)	15
Assembly (fig. D)	15
Workouts	15
Use	16
Console (fig F)	16
Explanation of buttons	17
Explanation Display functions	17
Operation	17
Cleaning and maintenance	18
Replacing the batteries (Fig. E)	18
Defects and malfunctions	19
Transport and storage	19
Technical data	19
Warranty	19
Declaration of the manufacturer	20
Disclaimer	20

Recumbent Bike

Welcome to the world of Tunturi New Fitness!
Thank you for purchasing this piece of Tunturi equipment. Tunturi offers a wide range of home fitness equipment, including crosstrainers, treadmills, exercise bikes and rowers. The Tunturi equipment is suitable for the entire family, no matter what fitness level. For more information, please visit our website www.tunturi.com

Safety warnings



WARNING

Read the safety warnings and the instructions. Failure to follow the safety warnings and the instructions can cause personal injury or damage to the equipment. Keep the safety warnings and the instructions for future reference.

- The equipment is suitable for domestic use only. The equipment is not suitable for commercial use.
- Max. usage is limited to 3 hrs a day.
- The use of this equipment by children or persons with a physical, sensory, mental or motorial disability, or lack of experience and knowledge can give cause to hazards. Persons responsible for their safety must give explicit instructions or supervise the use of the equipment.
- Before starting your workout, consult a physician to check your health.
- If you experience nausea, dizziness or other abnormal symptoms, immediately stop your workout and consult a physician.
- To avoid muscular pain and strain, start each workout by warming up and finish each workout by cooling down. Remember to stretch at the end of the workout.
- The equipment is suitable for indoor use only. The equipment is not suitable for outdoor use.
- Only use the equipment in environments with adequate ventilation. Do not use the equipment in draughty environments in order not to catch a cold.
- Only use the equipment in environments with ambient temperatures between 10 °C and 35 °C. Only store the equipment in environments with ambient temperatures between 5 °C and 45 °C.
- Do not use or store the equipment in humid surroundings. The air humidity must never be more than 80%.
- Only use the equipment for its intended purpose. Do not use the equipment for other purposes than described in the manual.
- Do not use the equipment if any part is damaged or defective. If a part is damaged or defective, contact your dealer.
- Keep your hands, feet and other body parts away from the moving parts.
- Keep your hair away from the moving parts.
- Wear appropriate clothing and shoes.
- Keep clothing, jewelry and other objects away from the moving parts.
- Make sure that only one person uses the equipment at a time. The equipment must not be used by persons weighing more than 120 kg (265 lbs).
- Do not open equipment without consulting your dealer.

Description (fig. A)

Your Recumbent bike is a piece of stationary fitness equipment used to simulate cycling without causing excessive pressure to the joints.

Package contents (fig. B & C)

- The package contains the parts as shown in fig. B.
- The package contains the fasteners as shown in fig. C. Refer to the section "Description"



NOTE

If a part is missing, contact your dealer.

Assembly (fig. D)



WARNING

- Assemble the equipment in the given order.
- Carry and move the equipment with at least two persons.



CAUTION

- Place the equipment on a firm, level surface.
- Place the equipment on a protective base to prevent damage to the floor surface.
- Allow at least 100 cm of clearance around the equipment.
- Refer to the illustrations for the correct assembly of the equipment.



NOTE

- Save the tools provided with this product, after you completed the product assembly, for future service purposes.

Workouts

The workout must be suitably light, but of long duration. Aerobic exercise is based on improving the body's maximum oxygen uptake, which in turn improves endurance and fitness. You should perspire, but you should not get out of breath during the workout.

To reach and maintain a basic fitness level, exercise at least three times a week, 30 minutes at a time. Increase the number of exercise sessions to improve your fitness level. It is worthwhile to combine regular exercise with a healthy diet. A person committed to dieting should exercise daily, at first 30 minutes or less at a time, gradually increasing the daily workout time to one hour. Start your workout at low speed and low resistance to prevent the cardiovascular system from being subjected to excessive strain.

As the fitness level improves, speed and resistance can be increased gradually. The efficiency of your exercise can be measured by monitoring your heart rate and your pulse rate.

Pulse rate measurement (hand pulse sensors)

The pulse rate is measured by sensors in the handlebars when the user is touching both sensors at the same time. Accurate pulse measurement requires that the skin is slightly moist and constantly touching the hand pulse sensors.

If the skin is too dry or too moist, the pulse rate measurement will become less accurate.



NOTE

- Do not use the hand pulse sensors in combination with a heart rate chest belt.
- If you set a heart rate limit for your workout, an alarm will sound when it is exceeded.

Heart rate measurement (heart rate chest belt)

The most accurate heart rate measurement is achieved with a heart rate chest belt. The heart rate is measured by a heart rate receiver in combination with a heart rate transmitter belt. Accurate heart measurement requires that the electrodes on the transmitter belt are slightly moist and constantly touching the skin. If the electrodes are too dry or too moist, the heart rate measurement will become less accurate.



WARNING

If you have a pacemaker, consult a physician before using a heart rate chest belt.



CAUTION

- If there are several heart rate measurement devices next to each other, make sure that the distance between them is at least 1.5 metres.
- If there is only one heart rate receiver and several heart rate transmitters, make sure that only one person with a transmitter is within transmission range.



NOTE

- Do not use a heart rate chest belt in combination with the hand pulse sensors.
- Always wear the heart rate chest belt under your clothes directly in contact with your skin. Do not wear the heart rate chest belt above your clothes. If you wear the heart rate chest belt above your clothes, there will be no signal.
- If you set a heart rate limit for your workout, an alarm will sound when it is exceeded.
- The transmitter transmits the heart rate to the console up to a distance of 1 metre. If the electrodes are not moist, the heart rate will not appear on the display.

- Some fibers in clothes (e.g. polyester, polyamide) create static electricity which can prevent accurate heart rate measurement.
- Mobile phones, televisions and other electrical appliances create an electromagnetic field which can prevent accurate heart rate measurement.

Maximum heart rate (during training)

The maximum heart rate is the highest heart rate a person can safely achieve through exercise stress. The following formula is used to calculate the average maximum heart rate: $220 - \text{AGE}$. The maximum heart rate varies from person to person.



WARNING

- Make sure that you do not exceed your maximum heart rate during your workout. If you belong to a risk group, consult a physician.

Beginner 50-60% of maximum heart rate

Suitable for beginners, weight-watchers, convalescents and persons who have not exercised for a long time. Exercise at least three times a week, 30 minutes at a time.

Advanced 60-70% of maximum heart rate

Suitable for persons who want to improve and maintain fitness. Exercise at least three times a week, 30 minutes at a time.

Expert 70-80% of maximum heart rate

Suitable for the fittest of persons who are used to long-endurance workouts.

Use

Adjusting the support feet

The equipment is equipped with 4 support feet. If the equipment is not stable, the support feet can be adjusted.

1. Turn the support feet as required to put the equipment in a stable position.
2. Tighten the locknuts to lock the support feet.

Adjusting the horizontal seat position

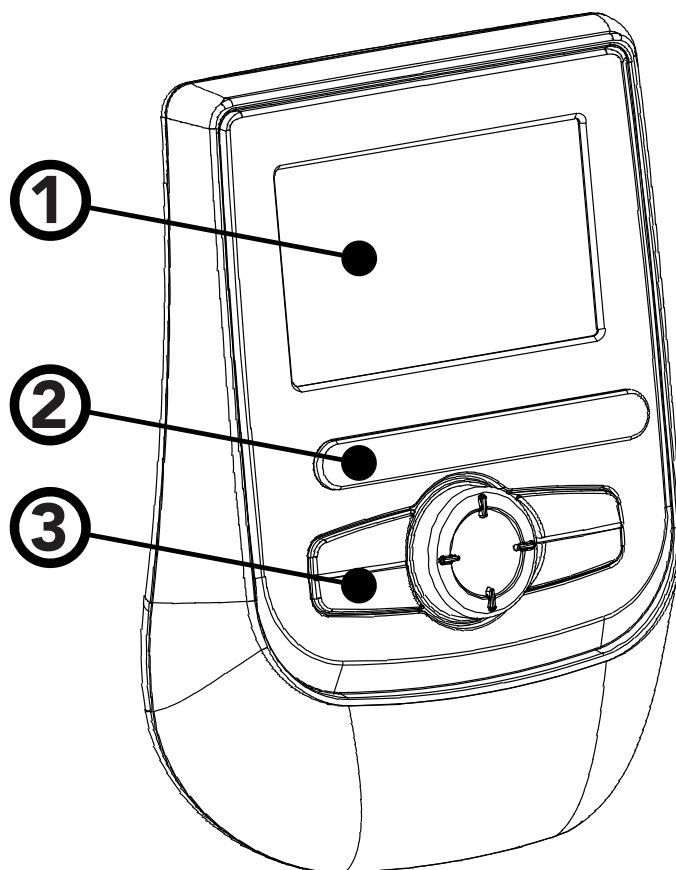
The horizontal seat position can be adjusted by setting the seat to the required position.

1. Loosen the seat adjustment knob.
2. Move the seat to the required position.
3. Tighten the seat adjustment knob.

Adjusting resistance

To increase or decrease resistance, turn the adjustment knob at the top of the handlebar support tube clockwise (+ direction) to increase resistance and counterclockwise (- direction) to decrease resistance. The scale above the knob (1-8) helps you find and reset a suitable resistance.

Console (fig F)



1. Display
2. Tablet/ book support
3. Buttons



CAUTION

- Keep the console away from direct sunlight.
- Dry the surface of the console when it is covered with drops of sweat.
- Do not lean on the console.



NOTE

- The console switches to standby mode when the equipment is not used for 4 minutes. If the console is in standby mode, the display shows the room temperature

Explanation of buttons

Up (Dail)

- Press UP Key to increase value. Press and hold the key to increase value faster.
- TIME setting range: 00:00~99:00 (Each increment is 1:00)
- CAL setting range: 0~9990 (Each increment is 10)
- DIST setting range: 0.00~99.50 (Each increment is 0.5)
- PULSE setting range: 0-30~230 (Each increment is 1)

Down (Dail)

- Press DOWN Key to decrease value. Press and hold the key to decrease the value faster.
- TIME setting range: 00:00~99:00 (Each decrement is 1:00)
- CAL setting range: 0~9990 (Each decrement is 10)
- DIST setting range: 0.00~99.50 (Each decrement is 0.5)
- PULSE setting range: 0-30~230 (Each decrement is 1)

Mode/ Enter

- Choose each function by pressing MODE/ENTER key.
- Press and hold MODE/ENTER key for 2 seconds to reset all functions (same feature as the reset key if press for 2 seconds).

Reset

- In setting mode, press RESET key once to reset the current function figures.
- Press RESET key and hold for 2 seconds to reset all function figures

Recovery

- After the console detects pulse signal, press the RECOVERY key to enter recovery mode to monitor heart rate recovery ability

Body Fat

- Test body fat% and BMI.

Total reset

- Console will restart over.

Explanation Display functions

Scan

- In SCAN mode, press MODE/ENTER key to choose functions.
- Automatically scan through each mode in sequence every 6 seconds.
- The sequence of display when press MODE/ENTER key : TIME » DIST » CAL » PULSE » RPM/SPEED

Speed

- Range 0.0 ~ 99.9
- Without any signal being transmitted into the monitor for 4 seconds during workout, SPEED will display "0.0"

RPM

- Range 0 ~ 999
- Without any signal being transmitted into the monitor for 4 seconds during workout, RPM will display "0"

Time

- Without setting the target value, time will count up.
- When setting the target value, time will count down from your target time to 0 and alarm will sound or flash.
- Without any signal being transmitted into the monitor for 4 seconds during workout, time will STOP
- Range 0:00~99:59

Distance

- Without setting the target value, distance will count up.
- When setting the target value, distance will count down from your target distance to 0 with an alarm sound or flash.
- Range 0.00~99.99

Calories

- Without setting the target value, calorie will count up.
- When setting the target value, calories will count down from your target calorie to 0 with an alarm sound or flash.
- Range 0~9999

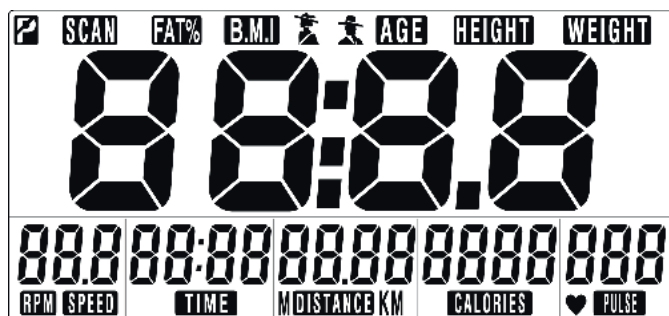
Pulse

- Current pulse will display after 6 seconds when detected by the console.
- Without any pulse signal for 6 seconds, console will display "P".
- Pulse alarm will sound when current pulse is over the target pulse.
- Range 0-30~230 BPM

Operation

Power on

- Press any key to power on the console when being in sleep mode..
- Start pedaling to power on the console when being in sleep mode.



LCD will display all segments as Drawing.

Power off

Without any signal being transmitted into the monitor for 4 minutes the monitor will enter SLEEP mode automatically.

User Profile setting

- Use UP or DOWN (Dail) to set SEX, HEIGHT, WEIGHT and AGE.
- Press MODE/ENTER to confirm.

Workout setting

- Press MODE/ ENTER key to select the function of TIME, DISTANCE, CALORIES, and PULSE. Use UP or DOWN (DAIL) for setting and press MODE/ ENTER key for confirmation.
- For instance the time set-up, when the time value is blinking, you can use UP and DOWN (DAIL) to adjust the number. Press MODE/ENTER key for confirmation and skip to next set-up. The set-up of DISTANCE, CALORIES and PULSE is the same as TIME set-up.
- Once the workout begins and the console picks up the exercise signal, the value of SPEED/RPM, TIME, DST and CAL will count up on the display.

Recovery

- The RECOVERY key will only be valid if pulse is detected.
- TIME will show „0:60“ (seconds) and counts down to 0.
- Computer will show F1 to F6 after the countdown to test heart rate recovery status. User can find the heart rate recovery level based on the chart below.
- Press RECOVERY key again to return to the beginning.

F1	Outstanding
F2	Excellent
F3	Good
F4	Fair
F5	Below average
F6	Poor

Body Fat

- Press the BODY FAT key to start body fat measurement.
- During measuring, users have to hold both hands on the hand grips. LCD display “-” “-” “-” “-” “-” “-” “-” for 8 seconds until computer finish measuring.
- LCD will display BMI and FAT %.

Body fat mode error codes

- *E-1
There is no heart rate signal input detected.
- *E-4
Occurs when FAT% and BMI result is below 5 or exceeds 50.

Trouble shooting:

- When the display of LCD is dim, it means the batteries need to be changed.
- If there is no signal when you pedal, please check if the cable is well connected.



NOTE

- When stop training for 4 minutes, the main screen will be off.
- If the computer displays abnormally, please re-install the batteries and try again.

Cleaning and maintenance

The equipment does not require special maintenance. The equipment does not require recalibration when it is assembled, used and serviced according to the instructions.



WARNING

- Do not use solvents to clean the equipment.
- Clean the equipment with a soft, absorbent cloth after each use.
- Regularly check that all screws and nuts are tight.
- If necessary, lubricate the joints.

Replacing the batteries (Fig. E)

The console is equipped with 2 AA batteries at the rear of the console.

1. Remove the cover.
2. Remove the old batteries.
3. Insert the new batteries. Make sure that batteries match the (+) and (-) polarity markings.
4. Mount the cover.

Defects and malfunctions

Despite continuous quality control, defects and malfunctions caused by individual parts can occur in the equipment. In most cases, it will be sufficient to replace the defective part.

- If the equipment does not function properly, immediately contact the dealer.
- Provide the model number and the serial number of the equipment to the dealer. State the nature of the problem, conditions of use and purchase date.

Transport and storage



WARNING

- Carry and move the equipment with at least two persons.
- Remain standing in front of the equipment on each side and take a sturdy grip at the handlebars. Tilt the front of the equipment so as to lift the rear of the equipment on the wheels. Move the equipment and carefully put the equipment down. Place the equipment on a protective base to prevent damage to the floor surface.
- Move the equipment carefully over uneven surfaces. Do not move the equipment upstairs using the wheels, but carry the equipment by the handlebars.
- Store the equipment in a dry place with as little temperature variation as possible.

Technical data

Parameter	Unit of measurement	Value
Length	cm	168
	inch	66
Width	cm	64
	inch	25
Height	cm	122
	inch	48
Weight	kg	51.4
	lbs	113.1
Max. user weight	kg	120
	lbs	265
Battery size		AA

Warranty

Tunturi purchaser's warranty

Warranty terms

The consumer is entitled to the applicable legal rights stated in the national legislation concerning the commerce of consumer goods. This warranty does not restrict these rights. The Purchaser's Warranty is only valid if the item is used in an environment approved by Tunturi New Fitness BV for that particular equipment. The product-specific approved environment is stated in the Owner's Manual provided with your equipment.

Warranty conditions

The warranty conditions commence from the date of purchase. Warranty conditions may vary per country, so please consult your local dealer for the warranty conditions.

Warranty coverage

Under no circumstances shall Tunturi New Fitness BV or the Tunturi Distributor be liable by virtue of this warranty or otherwise for any special, indirect, secondary or consequential damages of any nature arising out of any use or inability to use this equipment.

Warranty limitations

This warranty covers manufacturing defects in the fitness equipment as originally packed by Tunturi New Fitness BV. The warranty shall apply only under conditions of normal, recommended use of the product as described in the Owner's Manual and providing that Tunturi New Fitness BV's instructions for installation, maintenance and use have been complied with. Neither Tunturi New Fitness BV's nor the Tunturi Distributors' obligations apply to defects due to reasons beyond their control. The warranty applies only to the original purchaser and is valid only in countries where Tunturi New Fitness BV has an authorised importer. The warranty does not extend to fitness equipment or components that have been modified without the consent of Tunturi New Fitness BV. Defects resulting from normal wear, misuse, abuse, corrosion, or damage incurred during loading or transportation are not covered.

The warranty does not cover sounds or noises emitted during use where these do not substantially impede the use of the equipment and where they are not caused by a fault in the equipment. The warranty does not cover defects arising from the failure to carry periodic maintenance as outlined within the Owner's Manual for the product. Furthermore, the warranty does not cover defects arising from usage and storage within an unsuitable environment as described within the Owner's Manual which should be indoors, dry, dust and grit free and within a temperature range of +15°C to +35°C.

The warranty does not cover maintenance activities, such as cleaning, lubricating, and normal part adjustments, nor installation

procedures that customers can accomplish themselves, such as changing uncomplicated meters, pedals and other similar parts not requiring any dismantling/ reassembling of the fitness equipment. Warranty repairs carried out by other than authorised Tunturi representatives are not covered.

Failure to follow the instructions given in the Owner's Manual will invalidate the product's warranty.

Declaration of the manufacturer

Tunturi New Fitness BV declares that the product is in conformity with the following standards and directives: EN 957 (HB), 89/336/EEC. The product therefore carries the CE label.

01-2017

Tunturi New Fitness BV
Purmerweg 1
1311 XE Almere
The Netherlands

Disclaimer

© 2017 Tunturi New Fitness BV
All rights reserved.

The product and the manual are subject to change. Specifications can be changed without further notice.

Index

Liegerad	21
Warnhinweise zur Sicherheit	21
Beschreibung (Abb A)	22
Verpackungsinhalt (Abb. B & C)	22
Zusammenbau (Abb. D)	22
Trainings	22
Trainingsanleitung	22
Herzfrequenz	23
Gebrauch	24
Konsole (Abb F)	24
Erläuterung der Schalter	25
Erläuterung der Anzeigefunktionen	25
Bedienung	26
Reinigung und Wartung	27
Erneuerung der Batterien (Fig)	27
Störungen und Fehlfunktionen	27
Transport und Lagerung	27
Zusätzliche Informationen	27
Technische Daten	28
Garantie	28
Herstellererklärung	29
Haftungsausschluss	29

Deutsch

Diese deutsche Bedienungsanleitung ist eine Übersetzung des englischen Textes. Es können keine Rechte auf diese Übersetzung abgeleitet werden.

Liegerad

Willkommen in der Welt von Tunturi!
 Danke, dass Sie dieses Gerät von Tunturi erworben haben. Tunturi bietet eine breite Palette an Heim-Fitnessgeräten wie beispielsweise Crosstrainer, Laufbänder, Trainingsfahrräder und Rudergeräte an. Die Tunturi Geräte sind für die ganze Familie geeignet - ganz egal, wie fit man ist. Weitere Informationen finden Sie auf unserer Website unter www.tunturi.com

Warnhinweise zur Sicherheit



WARNUNG

Lesen Sie die Warnhinweise zur Sicherheit und die Anweisungen. Werden die Warnhinweise zur Sicherheit und die Anweisungen nicht befolgt, kann dies zu Personenverletzungen und Schäden am Gerät führen. Bewahren Sie die Warnhinweise zur Sicherheit und die Anweisungen zur künftigen Bezugnahme auf.



WARNUNG

Herzfrequenz-Überwachungssysteme können ungenau sein. Eine Überanstrengung kann zu schweren Schädigungen oder zum Tod führen. Wenn Sie sich schwach oder ohnmächtig fühlen, stellen Sie die Übungen unverzüglich ein.

- Das Gerät ist nur für den Hausgebrauch geeignet. Das Gerät ist nicht für den gewerblichen Gebrauch geeignet.
- Die maximale Verwendung ist auf 3 Stunden pro Tag beschränkt
- Wenn dieses Gerät von Kindern oder Personen mit körperlicher, sensorischer, geistiger oder motorischer Behinderung verwendet wird, oder wenn nicht genügend Erfahrung und Kenntnisse vorhanden sind, kann dies zu Gefahrensituationen führen. Personen, die für deren Sicherheit verantwortlich sind, müssen klare Anweisungen geben oder den Gebrauch des Geräts beaufsichtigen.
- Bevor Sie Ihr Training starten, nehmen Sie Kontakt mit einem Arzt auf, um Ihre Gesundheit kontrollieren zu lassen.
- Falls Sie Übelkeit, ein Schwindelgefühl oder andere anormale Symptome verspüren, hören Sie unverzüglich mit Ihrem Training auf und wenden Sie sich an einen Arzt.
- Um einen Muskelkater zu vermeiden, starten Sie jedes Training mit Aufwärmen und beenden Sie es mit Abkühlen. Denken Sie daran, sich am Ende des Trainings zu dehnen.
- Das Gerät ist nur für den Gebrauch in geschlossenen Räumen geeignet. Das Gerät ist nicht für den Gebrauch im Freien geeignet.
- Verwenden Sie das Gerät nur in Umgebungen mit ausreichender Belüftung. Verwenden Sie das Gerät nicht in zugiger Umgebung, damit Sie sich nicht erkälten.
- Verwenden Sie das Gerät nur in Umgebungen mit Umgebungstemperaturen zwischen 10 °C und 35 °C. Lagern Sie das Gerät nur in Umgebungen mit einer Umgebungstemperatur zwischen 5 °C und 45 °C.

- Verwenden und lagern Sie das Gerät nicht in feuchten Umgebungen. Die Luftfeuchtigkeit darf niemals 80% überschreiten.
- Verwenden Sie das Gerät nur bestimmungsgemäß. Verwenden Sie das Gerät nicht für einen anderen als für den in diesem Handbuch beschriebenen Zweck.
- Verwenden Sie das Gerät nicht, falls Teile beschädigt oder defekt sind. Ist ein Teil beschädigt oder defekt, wenden Sie sich an Ihren Händler.
- Halten Sie Ihre Hände, Füße und andere Körperteile von den beweglichen Teilen fern.
- Halten Sie Ihr Haar von den beweglichen Teilen fern.
- Tragen Sie entsprechende Kleidung und Schuhe.
- Halten Sie Kleidung, Schmuck und andere Gegenstände von den beweglichen Teilen fern.
- Vergewissern Sie sich, dass das Gerät nur von einer Person auf einmal verwendet wird. Das Gerät darf nicht von Personen verwendet werden, deren Gewicht 120 kg (265 lbs) überschreitet.
- Öffnen Sie das Gerät nicht, ohne vorher mit Ihrem Händler zu sprechen.

Beschreibung (Abb. A)

Ihr Liegerad ist ein ortsgebundenes Fitnessgerät, das zur Simulation des Fahrradfahrens verwendet wird, ohne dabei einen übermäßigen Druck auf die Gelenke auszuüben.

Verpackungsinhalt (Abb. B & C)

- Die Verpackung enthält die in Abb. B dargestellten Teile.
- Die Verpackung enthält die Befestigungsteile gemäß Abb. C. Siehe Abschnitt "Beschreibung".



HINWEIS

- Fehlt ein Teil, wenden Sie sich an Ihren Händler.

Zusammenbau (Abb. D)



WARNUNG

- Bauen Sie das Gerät in der angegebenen Reihenfolge zusammen.
- Tragen und bewegen Sie das Gerät mit mindestens zwei Personen.



VORSICHT

- Stellen Sie das Gerät auf festen, ebenen Boden.
- Stellen Sie das Gerät auf eine schützende Unterlage, um Schäden am Bodenbelag zu

vermeiden.

- Sorgen Sie rund um das Gerät für einen Freiraum von mindestens 100 cm.

- Der richtige Zusammenbau des Geräts geht aus den Abbildungen hervor.



HINWEIS

- Heben Sie die Werkzeuge für künftige Zwecke auf, die zu diesem Produkt geliefert wurden, wenn Sie die Montage beendet haben.

Trainings

Das Training muss leicht und geeignet, aber von langer Dauer sein. Aerobic-Übungen basieren auf der Verbesserung der maximalen Sauerstoffaufnahme des Körpers, was wiederum die Ausdauer und Fitness verbessert. Sie sollten während des Trainings zwar ins Schwitzen, aber nicht außer Atem kommen.

Um eine Basisfitness zu erreichen und zu halten, üben Sie mindestens drei mal pro Woche 30 Minuten lang an einem Stück. Erhöhen Sie die Anzahl der Übungssitzungen, um Ihre Fitness zu verbessern. Es lohnt sich, die regelmäßigen Übungen mit einer gesunden Diät zu kombinieren. Personen, die Diät machen, sollten täglich zuerst 30 Minuten oder weniger an einem Stück üben und die tägliche Trainingszeit allmählich auf eine Stunde verlängern. Beginnen Sie Ihr Training mit niedriger Geschwindigkeit und geringem Widerstand, um zu vermeiden, dass das Herzkreislaufsystem einer übermäßigen Belastung ausgesetzt wird. Mit sich verbessernder Fitness können Geschwindigkeit und Widerstand allmählich erhöht werden. Die Wirksamkeit Ihrer Übungen kann durch Überwachung der Herzfrequenz und Ihrer Pulsfrequenz gemessen werden.

Trainingsanleitung

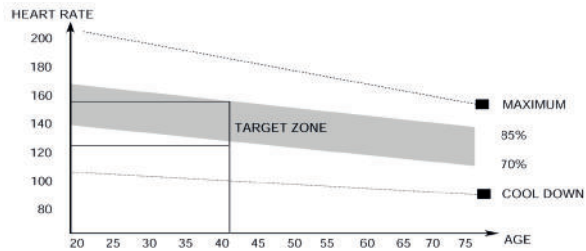
Die Verwendung des Fitnesstrainers wird Ihnen viele Vorteile bieten: Er verbessert Ihre körperliche Fitness, formt die Muskeln und hilft Ihnen, in Verbindung mit einer kalorienreduzierten Diät, Gewicht zu verlieren.

Die Aufwärm-Phase

Der Blutkreislauf wird angeregt und die Muskelfunktionen werden unterstützt. Außerdem wird das Risiko von Krämpfen und Muskelverletzungen gesenkt. Sie sollten, wie unten angezeigt, einige Dehnungsübungen machen. Sie sollten weder die Dehnungsbewegung erzwingen noch die Muskeln dabei ruckweise bewegen - wenn Sie Schmerzen haben, sollten Sie AUFHÖREN.

Die Trainings-Phase

In dieser Phase strengen Sie sich an. Nach regelmäßiger Verwendung werden die Muskeln in Ihren Beinen beweglicher. In dieser Phase ist es sehr wichtig, immer ein gleichmäßiges Tempo beizubehalten. Die Anstrengung sollte ausreichen, um Ihren Herzschlag bis in die Zielzone zu erhöhen, die im folgenden Diagramm dargestellt ist.



Diese Phase sollte mindestens 12 Minuten dauern; die meisten Menschen beginnen mit ca. 15 bis 20 Minuten.

Die Abkühlungs-Phase

Sie dient der Entspannung Ihres Herz-Kreislaufsystems und Ihrer Muskeln. Dabei werden die Aufwärmübungen wiederholt, reduzieren Sie zum Beispiel Ihr Tempo und machen Sie ca. 5 Minuten weiter. Jetzt sollten die Dehnübungen wiederholt werden. Denken Sie wiederum daran, weder die Dehnungsbewegung zu erzwingen noch die Muskeln dabei ruckweise zu bewegen.

Wenn Sie fitter werden, kann es sein, dass Sie länger und härter trainieren müssen. Sie sollten mindestens drei Mal die Woche trainieren und, falls möglich, Ihre Trainingseinheiten gleichmäßig über die Woche verteilen.

Muskelformung

Um Ihre Muskeln beim Training auf dem Fitnesstrainer zu formen, müssen Sie den Widerstand ziemlich hoch einstellen. Dadurch werden die Beinmuskeln mehr angestrengt und Sie können möglicherweise nicht so lange trainieren, wie Sie möchten. Wenn Sie außerdem Ihre Fitness verbessern möchten, müssen Sie Ihr Trainingsprogramm ändern. Sie sollten in den Aufwärm- und Abkühlphasen normal trainieren, jedoch gegen Ende der Trainingsphase den Widerstand erhöhen, damit Ihre Beine härter arbeiten müssen. Sie müssen die Geschwindigkeit verringern, damit Ihre Herzfrequenz in der Zielzone bleibt.

Gewichtsabnahme

Der wichtige Faktor ist, wie sehr Sie sich anstrengen. Je härter und je länger Sie trainieren, desto mehr Kalorien verbrennen Sie. Dies ist im Grunde dasselbe, wie wenn zur Verbesserung Ihrer Fitness trainieren, nur das Ziel ist ein anderes.

Herzfrequenz

Pulsfrequenzmessung (Handpulssensoren)

Die Pulsfrequenz wird durch Sensoren in den

Handgriffen gemessen, wenn der Nutzer beide Sensoren gleichzeitig anfasst. Für eine genaue Pulsmessung ist es erforderlich, dass die Haut etwas feucht ist und die Handpulssensoren konstant berührt werden. Ist die Haut zu trocken oder zu feucht, wird die Pulsfrequenzmessung weniger genau.



HINWEIS

- Verwenden Sie die Handpulssensoren nicht in Kombination mit einem Herzfrequenz-Brustgürtel.
- Wenn Sie sich einen Herzfrequenz-Grenzwert für Ihr Training setzen, ertönt beim Überschreiten ein Signal.

Herzfrequenzmessung (Herzfrequenz-Brustgürtel)

Die genaueste Herzfrequenzmessung lässt sich mit einem Herzfrequenz-Brustgürtel erzielen. Die Herzfrequenz wird mit einem Herzfrequenzempfänger in Kombination mit einem Herzfrequenz-Sendegürtel gemessen. Für eine genaue Herzfrequenzmessung ist es erforderlich, dass die Elektroden am Sender etwas feucht sind und die Haut konstant berühren. Sind die Elektroden zu trocken oder zu feucht, wird die Herzfrequenzmessung weniger genau.



WARNUNG

Falls Sie einen Schrittmacher haben, wenden Sie sich zunächst an einen Arzt, bevor Sie einen Herzfrequenz-Brustgürtel verwenden.



VORSICHT

- Falls sich mehrere Herzfrequenz-Messgeräte in gegenseitiger Nähe befinden, vergewissern Sie sich, dass der Abstand zwischen ihnen mindestens 1,5 Meter beträgt.
- Falls nur ein Herzfrequenzempfänger und mehrere Herzfrequenzsender vorhanden sind, vergewissern Sie sich, dass nur eine Person mit einem Sender in Sendereichweite ist.



HINWEIS

- Verwenden Sie keinen Herzfrequenz-Brustgürtel in Kombination mit den Handpulssensoren.
- Tragen Sie den Herzfrequenz-Brustgürtel stets mit direktem Hautkontakt unter Ihrer Kleidung. Tragen Sie den Herzfrequenz-Brustgürtel nicht auf Ihrer Kleidung. Falls Sie den Herzfrequenz-Brustgürtel auf Ihrer Kleidung tragen, gibt es kein Signal.
- Wenn Sie sich einen Herzfrequenz-Grenzwert für Ihr Training setzen, ertönt beim Überschreiten ein Signal.

- Der Sender überträgt die Herzfrequenz in einem Abstand bis zu 1 Meter zur Konsole. Sind die Elektroden nicht feucht, erscheint die Herzfrequenz nicht auf der Anzeige.
- Einige Fasern in der Kleidung (z.B. Polyester, Polyamid) erzeugen statische Elektrizität, die eine genaue Herzfrequenzmessung verhindern kann.
- Mobiltelefone, Fernsehgeräte und andere Elektrogeräte erzeugen ein elektromagnetisches Feld, das eine genaue Herzfrequenzmessung verhindern kann.

Maximale Herzfrequenz (während des Trainings)

Die maximale Herzfrequenz ist die höchste Herzfrequenz, die eine Person durch Übungsbelastung sicher erzielen kann. Folgende Formel wird zur Berechnung der durchschnittlichen maximalen Herzfrequenz verwendet: $220 - \text{ALTER}$. Die maximale Herzfrequenz variiert von Person zu Person.



WARNUNG

- Stellen Sie sicher, dass Sie während des Trainings Ihre maximale Herzfrequenz nicht überschreiten. Falls Sie einer Risikogruppe angehören, wenden Sie sich an einen Arzt.

Anfänger

50-60% der maximalen Herzfrequenz

Geeignet für Anfänger, Gewicht- Beobachter, Genesende und Personen, die schon lange nicht mehr trainiert haben. Trainieren Sie mindestens dreimal pro Woche 30 Minuten an einem Stück.

Fortgeschritten

60-70% der maximalen Herzfrequenz

Geeignet für Personen, die ihre Fitness verbessern und halten wollen. Trainieren Sie mindestens dreimal pro Woche 30 Minuten an einem Stück.

Experte

70-80% der maximalen Herzfrequenz

Geeignet für die fittesten Personen, die sich an lange Ausdauertrainings gewöhnt haben.

Gebrauch

Einstellen der Stützfüße

Das Gerät hat 4 Stützfüße. Steht das Gerät nicht stabil, kann es mit den Stützfüßen eingestellt werden.

- Drehen Sie die Stützfüße wie erforderlich, um das Gerät in eine stabile Position zu bringen.
- Ziehen Sie die Sicherungsmuttern an, um die Stützfüße zu sichern.



HINWEIS

Die Maschine steht am stabilsten, wenn alle Stützfüße vollständig eingeschraubt sind. Nivellieren Sie die Maschine daher, indem Sie alle Stützfüße vollständig eindrehen, bevor Sie die entsprechenden Füße zur Stabilisierung der Maschine wieder herausdrehen.

Widerstand einstellen

Zum Erhöhen oder Verringern des Widerstands. Drehen Sie den Widerstandstaste am Lenker in der + (Uhrzeigersinn) oder - (gegen den Uhrzeigersinn)

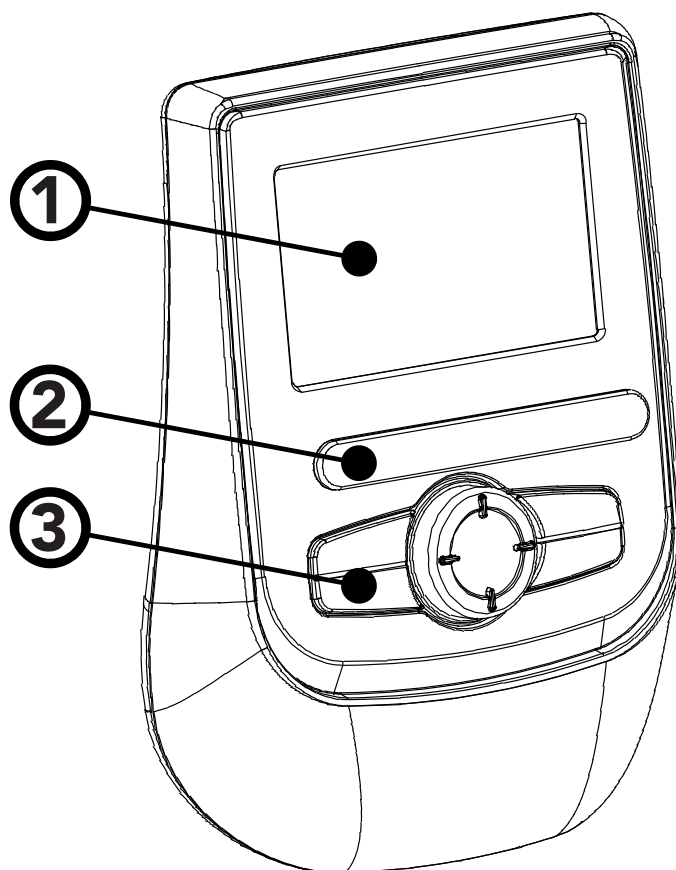
Die Verteilung (1-8) hilft mit dem Suchen der richtigen Einstellung

Einstellen der horizontalen Sitzposition

Die horizontale Sitzposition kann durch Einstellen des Sitzes auf die erforderliche Position eingestellt werden.

- Lösen Sie den Sitzeinstellknopf.
- Bewegen Sie den Sitz in die erforderliche Position..
- Ziehen Sie den Sitzeinstellknopf an.

Konsole (Abb F)



1. Anzeige
2. Tablet-/Buchstütze
3. Schalter

**VORSICHT**

- Halten Sie die Konsole von direkter Sonneneinstrahlung fern.
- Trocknen Sie die Oberfläche der Konsole, wenn Sie mit Schweißtropfen bedeckt ist.
- Lehnen Sie sich nicht auf die Konsole.
- Berühren Sie die Anzeige nur mit Ihrer Fingerspitze. Vergewissern Sie sich, dass Ihre Nägel oder andere scharfe Gegenstände die Anzeige nicht berühren.

**HINWEIS**

- Die Konsole schaltet in den Standby-Modus, wenn das Gerät 4 Minuten lang nicht verwendet wird.

Erläuterung der Schalter**Up (Dial)**

- Drehen Sie den Schalter im Uhrzeigersinn, um die Einstellwert zu erhöhen.
- TIME Einstellungsbereich: 00:00~99:00
(In Schritten von 1:00)
- CAL Einstellungsbereich: 0~9990
(In Schritten von 10)
- DIST Einstellungsbereich: 0,00~99,50
(In Schritten von 0,5)
- PULSE Einstellungsbereich: 0-30~230
(In Schritten von 1)

Down (Dial)

- Drehen Sie den Schalter gegen den Uhrzeigersinn, um die Einstellwert zu verringern.
- TIME Einstellungsbereich: 00:00~99:00
(In Schritten von 1:00)
- CAL Einstellungsbereich: 0~9990
(In Schritten von 10)
- DIST Einstellungsbereich: 0,00~99,50
(In Schritten von 0,5)
- PULSE Einstellungsbereich: 0-30~230
(In Schritten von 1)

Mode/Enter

- Wählen Sie eine Funktion aus, indem Sie auf die Taste MODE/ENTER drücken.
- Halten Sie die Taste MODE/ENTER zwei Sekunden lang gedrückt, um alle Funktionen zurückzusetzen (dieselbe Funktion wie mit der Rücksetztaste, wenn diese zwei Sekunden lang gedrückt wird).

Reset

- Drücken Sie im Einstellungsmodus einmal auf die Taste RESET, um die aktuellen Funktions-Darstellungen zurückzusetzen.

- Drücken Sie auf die RESET-Taste und halten Sie sie zwei Sekunden lang gedrückt, um alle Funktions-Darstellungen zurückzusetzen

Recovery

- Wenn die Konsole ein Impulssignal erkennt, drücken Sie auf die Taste RECOVERY, um den Recovery-Modus zu öffnen und die Herzfrequenz-Recovery-Fähigkeit zu überwachen

Body Fat (Körperfett)

- Körperfett in % und BMI messen.

Total reset (Alles zurücksetzen)

- Die Konsole wird neu gestartet und der Modus „Benutzerprofil-Einstellung“ wird geöffnet.

Erläuterung der Anzeigefunktionen**Scan**

- Im SCAN-Modus wählen Sie die Funktionen mit der Taste MODE/ENTER aus.
- Automatischer Scan in jedem Modus nacheinander alle 6 Sekunden.
- Die Anzeigereihenfolge, wenn MODE/ENTER gedrückt wird: TIME » DIST » CAL » PULSE » RPM/SPEED

Speed (Geschwindigkeit)

- Aktuelle Trainingsgeschwindigkeit wird angezeigt.
- Bereich 0,0 ~ 99,9
- Wenn vier Sekunden lang ohne Training kein Signal auf den Monitor übertragen wird, zeigt SPEED „0,0“ an

RPM (U/Min)

- Umdrehungen pro Minute werden angezeigt
- Bereich 0 ~ 999
- Wenn vier Sekunden lang ohne Training kein Signal auf den Monitor übertragen wird, zeigt U/Min „0“ an

Time (Zeit)

- Ohne Einstellung des Sollwerts wird die Zeit summiert.
- Wenn ein Sollwert eingestellt ist, wird die Zeit vom Zielwert aus auf 0 herabgezählt. Bei 0 ertönt ein Alarm oder erscheint ein Blinklicht. Die Zeit wird wieder summiert, wenn das Training nach Erreichen des Ziels fortgesetzt wird.
- Wenn vier Sekunden lang ohne Training kein Signal auf den Monitor übertragen wird, wird die Zeit auf STOP geschaltet
- Bereich 0:00 ~ 99:59

Distance (Entfernung)

- Ohne Einstellung des Sollwerts wird die Distanz summiert.

- Wenn ein Sollwert eingestellt ist, wird die Distanz vom Zielwert aus auf 0 herabgezählt. Bei 0 ertönt ein Alarm oder erscheint ein Blinklicht. Die Distanz wird wieder summiert, wenn das Training nach Erreichen des Ziels fortgesetzt wird.
- Bereich 0,00 ~ 99,99

Calories (Kalorien)

- Ohne Einstellung des Sollwerts werden die Kalorien summiert.
- Wenn ein Sollwert eingestellt ist, werden die Kalorien vom Zielwert aus auf 0 herabgezählt. Bei 0 ertönt ein Alarm oder erscheint ein Blinklicht. Die Kalorien werden wieder summiert, wenn das Training nach Erreichen des Ziels fortgesetzt wird.
- Bereich 0 ~ 9999



HINWEIS

- Diese Daten sind ein grober Anhaltspunkt für den Vergleich verschiedener Trainingssitzungen. Sie können jedoch nicht für eine medizinische Behandlung verwendet werden

Pulse (Puls)

- Aktueller Puls wird nach sechs Sekunden angezeigt, wenn dieser von der Konsole erkannt wird.
- Wenn sechs Sekunden lang kein Puls-Signal vorhanden ist, zeigt die Konsole „P“ an.
- Der Pulsalarm ertönt, wenn der aktuelle Puls über dem Sollpuls liegt.
- HF-Bereich 0-30~230

Bedienung

Einschalten

- Drücken Sie auf eine beliebige Taste, wenn sich die Konsole im Ruhemodus befindet.
- Treten Sie in die Pedale, wenn sich die Konsole im Ruhemodus befindet.



Die LCD-Anzeige zeigt alle Segmente an (Abb. F-01) und fährt mit dem zuletzt angehaltenen Training fort.

Ausschalten

Wenn vier Sekunden lang ohne Training kein Signal auf den Monitor übertragen wird, wird dieser automatisch in den Ruhemodus geschaltet (SLEEP).

Nutzerprofileinstellung

- Verwenden Sie UP oder DOWN (Dial), um SEX, HEIGHT, WEIGHT und AGE einzustellen.
- Drücken Sie zur Bestätigung auf MODE/ENTER.

Trainingseinheit

- Drücken Sie auf die Taste MODE/ ENTER, um die Funktion von TIME, DISTANCE, CALORIES und PULSE auszuwählen. Nehmen Sie mit UP oder DOWN (DIAL) Einstellungen vor und drücken Sie zur Bestätigung auf die Taste MODE/ENTER.
- Beispielsweise die Zeiteinstellung: Wenn ein Zeitwert blinkt, können Sie UP und DOWN (DIAL) verwenden, um die richtige Zahl einzustellen. Drücken Sie zur Bestätigung auf die Taste MODE/ ENTER und fahren Sie mit der nächsten Einstellung fort. Die Einstellung von DISTANCE, CALORIES und PULSE erfolgt auf dieselbe Weise wird die Einstellung von TIME.
- Wenn das Training beginnt und die Konsole das Trainingssignal aufnimmt, werden die Werte von SPEED/RPM, TIME, DST und CAL auf der Anzeige summiert. Wenn ein bestimmter Sollwert eingestellt wurde, wird von diesem Wert ausgehend herabgezählt, bis das Ziel erreicht ist.

Recovery

- Die Taste RECOVERY ist nur aktiv, wenn ein Puls erkannt wurde.
- TIME zeigt „0:60“ (Sekunden) an und wird auf „0“ herabgezählt.
- Der Computer zeigt nach dem Countdown zum Testen den Herzfrequenz-Recovery-Status F1 bis F6 an. Die Herzfrequenz-Recovery-Stufe kann auf Grundlage folgender Tabelle ermittelt werden.
- Drücken Sie erneut auf die Taste RECOVERY, um zum Anfang zurückzukehren.

F1	Herausragend
F2	Hervorragend
F3	Gut
F4	Ausreichend
F5	Unterdurchschnittlich
F6	Schlecht

Body Fat (Körperfett)

- Drücken Sie auf die Taste BODY FAT, um mit der Fettmessung zu beginnen.
- Bei der Messung müssen Nutzerinnen und Nutzer beide Hände an den Handgriffen haben. LCD-Anzeige “-” “-” “-” “-” “-” “-” für 8 Sekunden, bis der Computer die Messung abgeschlossen hat.
- LCD zeigt BMI und FAT % an.

**HINWEIS**

- Für diese Funktion sind korrekte „Nutzerprofileinstellungen“ erforderlich.

Körperfett-Modus-Fehlercodes

- *E-1
Es wurde kein Herzfrequenzsignaleingang erkannt.
- *E-4
Tritt auf, wenn FAT% und BMI unter 5 liegt oder 50 übersteigt.

Fehlersuche:

- Wenn die LCD-Anzeige verdunkelt ist, sollten die Batterien ausgetauscht werden.
- Wenn Sie in die Pedale treten und kein Signal erfolgt, überprüfen Sie bitte, ob das Kabel richtig angeschlossen ist.

**HINWEIS**

- Der Hauptbildschirm wird vier Minuten nach einem Trainingstopp ausgeschaltet.
- Wenn der Computer ungewöhnliche Dinge anzeigt, legen Sie die Batterien bitte erneut ein und versuchen Sie es noch einmal.

Reinigung und Wartung

Das Gerät bedarf keiner besonderen Wartung. Das Gerät muss nicht neu kalibriert werden, wenn es gemäß den Anweisungen zusammgebaut, verwendet und gewartet wird.

**WARNUNG**

- Entfernen Sie vor der Reinigung und Wartung den Adapter.
- Verwenden Sie zur Reinigung des Geräts keine Lösungsmittel.
- Reinigen Sie das Gerät nach dem Gebrauch mit einem weichen aufnahmefähigen Lappen.
- Prüfen Sie regelmäßig, ob alle Schrauben und Muttern fest sind.
- Schmieren Sie die Gelenke, falls erforderlich.

Erneuerung der Batterien (Fig)

Die Konsole hat hinten 2 AA-Batterien.

- Entfernen Sie die Abdeckung.
- Entfernen Sie die alten Batterien.
- Setzen Sie die neuen Batterien ein. Vergewissern Sie sich, dass die Batterien entsprechend den (+)

- und (-) Polaritätszeichen eingesetzt werden.
- Bringen Sie die Abdeckung an.

Störungen und Fehlfunktionen

Trotz ständiger Qualitätskontrolle können durch Einzelteile verursachte Störungen und Fehlfunktionen am Gerät auftreten. In den meisten Fällen ist es ausreichend, das defekte Teil zu erneuern.

- Falls das Gerät nicht ordnungsgemäß funktioniert, wenden Sie sich unverzüglich an den Händler.
- Nennen Sie dem Händler Modell- und Seriennummer des Geräts. Schildern Sie die Art des Problems, die Gebrauchsbedingungen und das Kaufdatum.

Transport und Lagerung**WARNUNG**

- Entfernen Sie vor dem Transport und der Lagerung den Adapter.
- Tragen und bewegen Sie das Gerät mit mindestens zwei Personen.
- Bleiben Sie vor dem Gerät auf beiden Seiten und halten Sie die Handgriffe sicher fest. Heben Sie die Vorderseite des Geräts an, damit die Hinterseite auf die Räder gehoben wird. Bewegen Sie das Gerät und setzen Sie es vorsichtig ab. Stellen Sie das Gerät auf eine schützende Unterlage, um Schäden am Bodenbelag zu vermeiden.
- Bewegen Sie das Gerät vorsichtig über unebene Böden. Bewegen Sie das Gerät nicht auf den Rädern Treppen herauf, sondern tragen Sie es an den Handgriffen.
- Lagern Sie das Gerät an einem trockenen Ort mit möglichst wenig Temperaturschwankungen.

Zusätzliche Informationen**Verpackungsentsorgung**

Staatliche Vorschriften sagen, dass wir die in Deponien entsorgten Abfallmengen verringern sollen. Daher bitten wir Sie, den gesamten Verpackungsabfall an öffentlichen Recyclingstellen abzugeben

Entsorgung am ende der Lebensdauer

Wir bei Tunturi hoffen, dass Sie Ihren Fitnesstrainer viele Jahre mit Freude nutzen werden. Jedoch wird irgendwann die Zeit kommen, wenn die Ende der Nutzungsdauer des Fitnesstrainers erreicht ist. Gemäß den europäischen WEEE-Gesetzen sind Sie für eine geeignete Entsorgung des Fitnesstrainers bei einer anerkannten öffentlichen Entsorgungsstelle verantwortlich.

Technische Daten

Parameter	Maßeinheit	Wert
Länge	cm inch	168 66
Breite	cm inch	64 25
Körpergröße	cm inch	122 48
Gewicht	kg lbs	51.4 113.1
Max. Benutzergewicht	kg lbs	120 265
Batteriegröße		AA

Garantie

Eigentümer-garantie für Tunturi fitnessgeräte.

Garantiebedingungen

Der Käufer ist berechtigt die den Handel mit Konsumgütern betreffenden gesetzlichen Rechte gemäß der nationalen Gesetzgebung in Anwendung zu bringen. Diese Rechte werden durch die Garantie nicht eingeschränkt. Bedingungen zu ersetzen. Die Eigentümer-Garantie gilt nur dann, wenn das Gerät in einer für entsprechende Geräte der Tunturi New Fitness BV zugelassenen Anwendungsumgebung verwendet wird. Die für das Gerät zugelassene Anwendungsumgebung wird in der Bedienungsanleitung des Geräts genannt.

Garantiedauer

Die Garantie gilt ab Kaufdatum. Die Garantiedauer kann sich je nach Land unterscheiden. Bitte wenden Sie sich an Ihren zuständigen Händler, um die Garantiedauer zu erfahren.

Garantieumfang

Unter keinen Umständen haften die Tunturi New Fitness BV oder der Tunturi-Vertragshändler für dem Käufer möglicherweise zugefügte indirekte Schäden wie Gebrauchsbeeinträchtigung oder Einkommensverlust oder anderen wirtschaftlichen Folgeschäden.

Einschränkungen der garantie

Die Garantie deckt durch Herstellung oder Material hervorgerufene Fehler des Fitnessgeräts in dessen ursprünglicher Zusammensetzung. Unter Voraussetzung, dass die Aufbau-, Pflege- und Gebrauchsanweisungen von Tunturi befolgt wurden, erstreckt sich die Garantie auf solche Fehler, die bei normaler und einem dem Gerät beiliegenden Anleitungsbuch entsprechender Benutzung auftreten können. Die Tunturi New Fitness BV und der Tunturi-Vertragshändler haften nicht für Fehler, die durch Faktoren außerhalb ihrer Einflussmöglichkeiten hervorgerufen wurden. Die Garantie gilt nur für den ursprünglichen Eigentümer und nur in den Ländern, in denen es einen von der Tunturi New Fitness BV autorisierten Importeur gibt. Die Garantie gilt nicht für solche Fitnessgeräte oder Teile, an denen ohne Zustimmung der Tunturi New Fitness BV Veränderungen vorgenommen worden sind. Die Garantie betrifft auch nicht solche Schäden, die durch natürlichen Verschleiß, fehlerhaften Gebrauch, Benutzung unter für das Gerät nicht vorgesehenen Umständen, Korrosion, Verladung oder Transport hervorgerufen wurden.

Ersatzleistungen aufgrund von Geräuschen, die beim Einsatz des Geräts auftreten, sind von der Garantie ausgeschlossen, sofern diese Geräusche den Gebrauch des Geräts nicht wesentlich beeinträchtigen und nicht durch einen Gerätefehler bedingt sind.

Die Garantie beinhaltet keine Wartungsmaßnahmen, wie Reinigung, Schmieren oder normales Kontrollieren der Teile, auch nicht solche Aufbaumaßnahmen, die der Kunde selbst ausführen kann und die kein spezielles Auseinander- oder Zusammenbauen des Fitnessgeräts erfordern. Zu solchen Maßnahmen gehört beispielsweise das Austauschen von Cockpits, Pedalen oder anderer entsprechender einfacher Teile. Andere als die durch einen autorisierten Tunturi-Vertreter ausgeführten Garantieleistungen werden nicht ersetzt. Durch unsachgemäße, d.h. nicht der Bedienungsanleitung entsprechenden, Bedienung, verfällt jedweder Garantieanspruch.

Herstellererklärung

Tunturi New Fitness BV erklärt hiermit, dass das Produkt folgenden Normen und Richtlinien entspricht: EN 957 (HB), 89/336/EWG. Das Produkt trägt daher das CE-Kennzeichen.

01-2017

Tunturi New Fitness BV
Purmerweg 1
1311 XE Almere
The Netherlands

Haftungsausschluss

© 2017 Tunturi New Fitness BV
Alle Rechte vorbehalten.

Produkt und Handbuch können geändert werden.
Die technischen Daten können ohne Vorankündigung geändert werden.

Indice

Vélo vertical	30
Avertissements de sécurité	30
Description (fig. A)	31
Contenu de l'emballage (fig. B & C)	31
Assemblage (fig. D)	31
Exercices	31
Instructions d'entraînement	31
Fréquence cardiaque	32
Usage	33
Console (fig F)	34
Explication des boutons	34
Explication des fonctions à l'écran	34
Fonctionnement	35
Nettoyage et maintenance	36
Remplacement des piles (Fig E)	36
Défauts et dysfonctionnements	36
Transport et rangement	37
Informations supplémentaires	37
Données techniques	37
Garantie	37
Déclaration du fabricant	38
Limite de responsabilité	38

Français

Ce manuel français est une traduction de la version anglaise. Notez que la version anglaise est en tête dans le contenu lorsque des différences sont trouvées.

Vélo vertical

Bienvenue dans l'univers de Tunturi Fitness !
 Merci pour votre achat de cet élément d'équipement Tunturi. Tunturi offre toute une gamme d'équipements de fitness professionnels, notamment des vélos elliptiques, tapis de course, vélos d'appartement, rameurs et accessoires. Les équipements Tunturi sont parfaits pour toute la famille, quel que soit le niveau de forme de ses membres. Pour en savoir plus, visitez notre site Web www.tunturi.com

Avertissements de sécurité



AVERTISSEMENT

Lisez les avertissements de sécurité et les instructions. Le non respect des avertissements de sécurité et des instructions est une source de blessure et de dégâts de l'équipement. Conservez les avertissements de sécurité et les instructions pour référence ultérieure.



AVERTISSEMENT

Les systèmes de suivi de la fréquence cardiaque peuvent être inexacts. Un exercice excessif peut entraîner des blessures graves voire mortelles. Si vous vous sentez défaillir, interrompez immédiatement l'exercice.

- L'équipement est uniquement adapté à un usage domestique. L'équipement ne convient pas à un usage commercial.
- La durée d'utilisation maximum est limitée à 3 heures par jour.
- L'emploi de cet équipement par des enfants ou des personnes affectés d'un handicap physique, sensoriel, mental ou moteur, voire dont l'expérience ou les connaissances s'avèrent insuffisantes est une source de risques. Les personnes chargées de leur sécurité doivent leur fournir des instructions explicites ou superviser leur usage de l'équipement.
- Avant de commencer vos exercices, effectuez un bilan de santé auprès d'un médecin.
- Si vous êtes pris de nausées ou de vertiges ou sentez d'autres symptômes normaux pendant l'entraînement, interrompez immédiatement la session et consultez votre médecin.
- Afin d'éviter toutes douleurs et tensions musculaires, commencez vos séances par des échauffements et terminez-les par une récupération. N'oubliez pas de vous étirer après vos exercices.
- L'équipement est uniquement adapté à un usage intérieur. L'équipement ne convient pas à un usage extérieur.
- Utilisez l'équipement uniquement dans des environnements correctement ventilés. N'utilisez pas l'équipement dans des endroits exposés aux courants d'air afin de ne pas vous enrhumers.
- Utilisez l'équipement uniquement à une température ambiante entre 10 °C et 35 °C. Rangez l'équipement uniquement à une température ambiante entre 5 °C et 45 °C.
- N'utilisez et ne rangez pas l'équipement dans un environnement humide. L'humidité de l'air ne doit jamais dépasser 80 %.
- Utilisez l'équipement uniquement pour son usage prévu. N'utilisez pas l'équipement pour d'autres usages que ceux décrits dans le manuel.
- N'utilisez pas l'équipement si l'une de ses pièces est endommagée ou défectueuse. Si une pièce est endommagée ou défectueuse, contactez votre

- revendeur.
- Maintenez vos mains, vos pieds et les autres parties de votre corps à l'écart des pièces mobiles.
- Maintenez votre chevelure à l'écart des pièces mobiles.
- Portez des vêtements et des chaussures adaptés.
- Maintenez les vêtements, bijoux et autres objets à l'écart des pièces mobiles.
- Assurez-vous qu'une seule personne utilise l'équipement à la fois. L'équipement ne doit pas être utilisé par des personnes pesant plus de 120 kg (265 lbs).
- N'ouvrez pas l'équipement sans consulter votre revendeur.

Description (fig. A)

Votre vélo semi-allongé est un élément d'équipement de fitness stationnaire servant à simuler le cyclisme sans exercer de pression excessive sur les jointures.

Contenu de l'emballage (fig. B & C)

- L'emballage contient les pièces illustrées en fig. B.
- L'emballage contient les fixations illustrées en fig. C. Voir la section "Description".



NOTE

- Si une pièce manque, contactez votre revendeur.

Assemblage (fig. D)



AVERTISSEMENT

- Assemblez l'équipement dans l'ordre indiqué.
- Deux personnes au moins sont nécessaires pour transporter et déplacer l'équipement.



PRÉCAUTION

- Placez l'équipement sur une surface plane et ferme.
 - Placez l'équipement sur une base protectrice pour éviter d'endommager la surface du sol.
 - Prévoyez un dégagement d'au moins 100 cm autour de l'équipement.
- Consultez les illustrations pour l'assemblage correct de l'équipement.



NOTE

- Conservez les outils livrés avec ce produit après son montage, pour d'éventuels entretiens.

Exercices

Un exercice doit être suffisamment léger mais prolongé. L'exercice aérobique repose sur l'amélioration de l'absorption maximum d'oxygène par le corps, améliorant à son tour l'endurance et la forme. Vous devez transpirer mais sans jamais être à bout de souffle durant l'exercice.

Pour atteindre et entretenir un niveau de forme basique, exercez-vous au moins 3 fois par semaine, par session de 30 minutes. Accroissez le nombre des sessions d'exercice pour améliorer votre niveau de forme. Il est profitable de combiner un exercice régulier et un régime sain. Une personne suivant un régime doit s'exercer au quotidien, au début 30 minutes ou moins pour chaque session afin d'accroître ensuite progressivement le temps d'exercice quotidien pour atteindre une heure. Commencez vos exercices à une vitesse lente et avec une faible résistance pour éviter de soumettre le système cardiovasculaire à une contrainte excessive. À mesure de l'amélioration de votre forme, accroissez progressivement la vitesse et la résistance. L'efficacité de votre exercice est mesurable en suivant votre fréquence cardiaque et votre pouls.

Instructions d'entraînement

L'utilisation de votre appareil de fitness vous procurera plusieurs avantages : il vous permettra d'améliorer votre forme physique, de tonifier vos muscles et, associé à un régime hypocalorique, de perdre du poids.

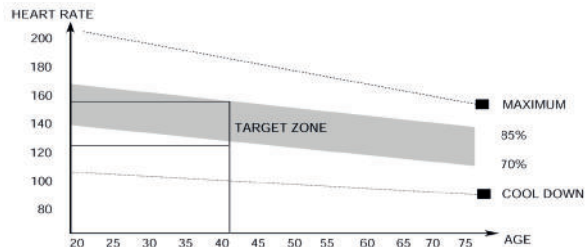
Phase d'échauffement

Cette étape favorise la circulation du sang dans tout le corps et le bon fonctionnement des muscles. Elle réduit également le

risque de crampes et de lésions musculaires. Il est conseillé de faire quelques exercices d'étirement, comme ceux qui sont indiqués ci-dessous. Chaque étirement doit être maintenu pendant environ 30 secondes. Ne forcez pas ou n'étirez pas excessivement un muscle. Si vous sentez qu'une position vous fait mal, ARRÊTEZ.

Phase d'exercice

C'est l'étape principale de votre entraînement. Après une utilisation régulière de l'appareil, vous sentirez que les muscles de vos jambes ont gagné en souplesse. Il est très important de maintenir un rythme régulier tout au long de la séance. Le rythme de travail doit être suffisant pour faire monter votre rythme cardiaque dans la zone cible indiquée sur le graphique ci-dessous.



Cette étape doit durer au moins 12 minutes, bien que l'on commence généralement à environ 15-20 minutes.

Phase de refroidissement

Cette étape a pour objectif de laisser votre système cardiovasculaire et vos muscles reprendre leur rythme normal. Il s'agit d'une répétition de l'exercice d'échauffement. Baissez le rythme et continuez pendant environ 5 minutes. Vous devez ensuite refaire les exercices d'étirement et souvenez-vous de ne pas forcer ou trop étirer un muscle dans une certaine position.

À mesure que vous améliorerez votre forme, vous ressentirez peut-être le besoin de vous entraîner plus longtemps ou de faire des entraînements plus poussés. Il est conseillé de s'entraîner au moins trois fois par semaine et, si possible, d'espacer les séances régulièrement tout au long de la semaine.

Tonification musculaire

Pour tonifier vos muscles à l'aide de l'appareil de fitness, vous devrez sélectionner une résistance assez élevée. Les muscles de vos jambes seront davantage sollicités et vous ne pourrez peut-être pas vous entraîner aussi longtemps que vous le voudriez. Si vous souhaitez également améliorer votre forme, vous devrez modifier votre programme d'entraînement. Entraînez-vous normalement pendant les phases d'échauffement et de refroidissement, mais vers la fin de l'exercice, augmentez la résistance en faisant travailler vos jambes davantage. Vous devrez réduire la vitesse pour maintenir votre rythme cardiaque dans la zone cible.

Perte de poids

Ici, le facteur important est l'effort que vous déployez. Plus vous entraînez longtemps et de manière soutenue, plus vous brûlerez de calories. C'est en réalité le même principe que pour l'entraînement d'amélioration de la forme ; la différence est l'objectif recherché.

Fréquence cardiaque

Mesure du pouls (pulsomètres)

Le pouls est mesuré par des capteurs dans les poignées lorsque l'utilisateur touche les deux capteurs à la fois. La mesure la plus précise du pouls nécessite une peau légèrement humide et un contact constant des pulsomètres. Si la peau est trop sèche ou humide, la mesure du pouls peut devenir moins précise.



NOTE

- N'utilisez pas les pulsomètres en même temps que la sangle thoracique de fréquence cardiaque.
- – Si vous réglez une fréquence cardiaque limite pour votre exercice, une alarme retentit dès qu'elle est dépassée.

Mesure de la fréquence cardiaque (sangle thoracique de fréquence cardiaque)

La sangle thoracique de fréquence cardiaque assure la mesure de fréquence cardiaque la plus précise. La fréquence cardiaque est mesurée par un récepteur combiné à la sangle thoracique de fréquence cardiaque. Une mesure précise de la fréquence cardiaque nécessite des électrodes de sangle émettrice légèrement humides et en contact constant avec la peau. Si les électrodes sont trop sèches ou humides, la mesure de la fréquence cardiaque peut devenir moins précise.



AVERTISSEMENT

- Si vous portez un stimulateur cardiaque, consultez votre médecin avant d'utiliser une sangle thoracique de fréquence cardiaque.



PRÉCAUTION

- Si plusieurs dispositifs de mesure de la fréquence cardiaque sont proches les uns des autres, assurez-vous qu'ils sont au moins distants de 2 mètres.
- En présence d'un récepteur unique de fréquence cardiaque pour plusieurs émetteurs, assurez-vous qu'une seule personne avec un émetteur est à portée de transmission.



NOTE

- N'utilisez pas les pulsomètres en même temps que la sangle thoracique de fréquence cardiaque.
- Portez toujours la sangle thoracique de fréquence cardiaque sous vos vêtements, en contact direct avec votre peau. Ne portez pas votre sangle thoracique de fréquence cardiaque par-dessus vos vêtements. Si vous portez la

sangle thoracique de fréquence cardiaque sur vos vêtements, il n'y a pas de signal.

- Si vous réglez une fréquence cardiaque limite pour votre exercice, une alarme retentit dès qu'elle est dépassée.
- L'émetteur transmet la fréquence cardiaque à une console jusqu'à une distance de 1,5 mètre. Si les électrodes ne sont pas suffisamment mouillées, votre fréquence cardiaque ne s'affiche pas.
- Certaines fibres des vêtements (par ex. polyester, polyamide) créent de l'électricité statique qui peut empêcher la mesure précise de la fréquence cardiaque.
- Les téléphones portables, télévisions et autres appareils électriques créent un champ électromagnétique susceptible d'empêcher une mesure précise de la fréquence cardiaque.

Fréquence cardiaque maximum (durant l'exercice)

La fréquence cardiaque maximum est la fréquence la plus élevée qu'une personne peut atteindre en toute sécurité sous la contrainte de l'exercice. La formule suivante sert à calculer la fréquence cardiaque maximum moyenne : $220 - \text{ÂGE}$ La fréquence cardiaque maximum varie d'une personne à l'autre.



AVERTISSEMENT

- Assurez-vous de ne pas dépasser votre fréquence cardiaque maximum durant l'exercice. Si vous appartenez à un groupe à risque, consultez un médecin.

Débutant

50-60% de fréquence cardiaque maximum

Adapté aux débutants, aux personnes suivant leur poids, aux convalescents et aux personnes ne s'exerçant pas depuis un certain temps. Exercez-vous au moins trois fois par semaine, par session de 30 minutes.

Avancé

60-70% de fréquence cardiaque maximum

Adapté aux personnes souhaitant améliorer et entretenir leur forme. Exercez-vous au moins trois fois par semaine, par session de 30 minutes.

Expert

70-80% de fréquence cardiaque maximum

Adapté aux personnes les plus en forme, habituées aux exercices d'endurance prolongés.

Usage

Réglage des pieds de support

L'équipement comporte 4 pieds de support. Si l'équipement est instable, vous pouvez régler les pieds de support.

- Tournez les pieds de support, selon les besoins, pour placer l'équipement en position stable.
- Serrez les écrous d'arrêt pour bloquer les pieds de support.



NOTE

La stabilité de la machine est maximisée lorsque tous les pieds de support sont complètement tournés vers l'intérieur. Vous devez donc commencer à mettre la machine de niveau en tournant tous les pieds de support vers l'intérieur avant de sortir les pieds de support requis pour stabiliser la machine.

Régler la résistance

Pour augmenter ou diminuer la résistance, tournez le bouton de réglage situé sur le tube de support du guidon dans le sens des aiguilles d'une montre (vers le +) pour augmenter la résistance et dans le sens inverse des aiguilles d'une montre (vers le -) pour réduire la résistance.

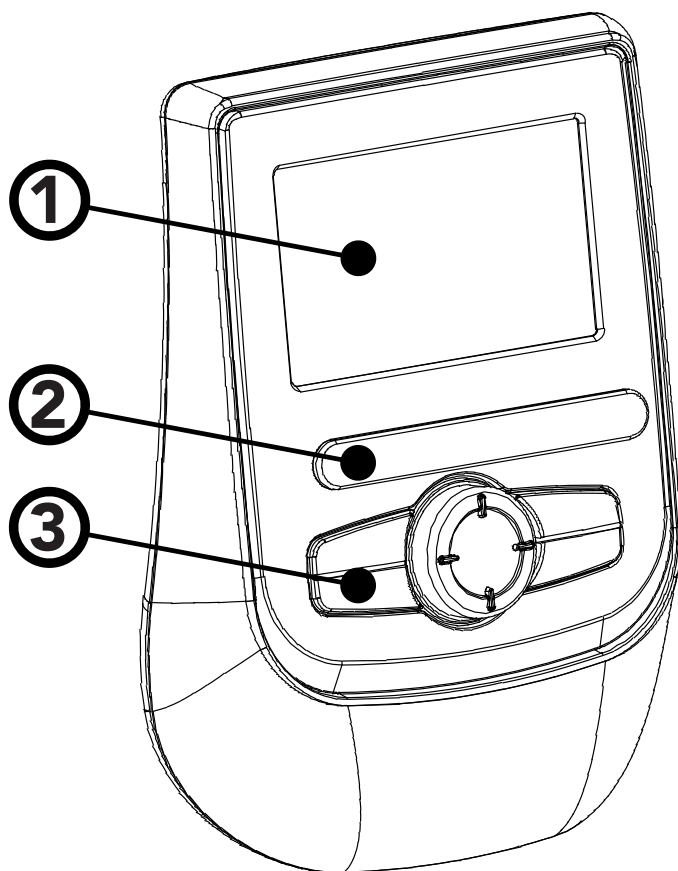
L'échelle au-dessus du bouton (1-8) vous aide à trouver et à redéfinir une résistance adaptée.

Réglage de la position horizontale de la selle

La position horizontale de la selle est réglable en l'amenant à la position requise.

- Desserrez le bouton de réglage de la selle.
- Amenez la selle à la position requise.
- Serrez le bouton de réglage de la selle.

Console (fig F)



1. Écran
2. Assistance tablette/livre
3. Boutons



PRÉCAUTION

- Maintenez la console à l'écart de la lumière directe du soleil.
- Séchez la surface de la console dès qu'elle est couverte de gouttes de sueur.
- Ne vous appuyez pas sur la console.
- Touchez l'affichage uniquement avec le bout du doigt. Assurez-vous de ne pas toucher l'affichage avec vos ongles ou des objets coupants.



NOTE

- La console passe en mode de veille si l'équipement n'est pas utilisé pendant 4 minutes.

Explication des boutons

Haut (bouton rotatif)

- Tourner le bouton rotatif dans le sens des aiguilles d'une montre pour augmenter la valeur.
- Plage de réglage de TIME (durée) : 00:00~99:00 (Chaque incrément est de 1:00)

- Plage de réglage de CAL (calories) : 0~9990 (Chaque incrément est de 10)
- Plage de réglage de DIST (distance) : 0,00~99,50 (Chaque incrément est de 0,5)
- Plage de réglage de PULSE (pouls) : 0-30~230 (Chaque incrément est de 1)

Bas (bouton rotatif)

- Tourner le bouton rotatif dans le sens contraire des aiguilles d'une montre pour diminuer la valeur.
- Plage de réglage de TIME (durée) : 00:00~99:00 (Chaque incrément est de 1:00)
- Plage de réglage de CAL (calories) : 0~9990 (Chaque incrément est de 10)
- Plage de réglage de DIST (distance) : 0,00~99,50 (Chaque incrément est de 0,5)
- Plage de réglage de PULSE (pouls) : 0-30~230 (Chaque incrément est de 1)

Mode/Enter (mode/entrée)

- Choisir chaque fonction en appuyant sur la touche MODE/ENTER.
- Maintenir la touche MODE/ENTER enfoncée pendant 2 secondes pour réinitialiser toutes les fonctions (fonctionnalité identique à celle de la touche de remise à zéro si elle est enfoncée pendant 2 secondes).

Reset (Réinitialisation)

- En mode réglage, appuyer une fois sur la touche RESET pour réinitialiser les chiffres actuels des fonctions.
- Maintenir la touche RESET enfoncée pendant 2 secondes pour réinitialiser tous les chiffres des fonctions.

Recovery (Récupération)

- Après la détection du signal d'impulsion par la console, appuyer sur la touche RECOVERY (récupération) pour passer en mode récupération et suivre la capacité de récupération du rythme cardiaque

Body Fat (Masse grasse)

- Permet de mesurer la masse grasse en % et l'IMC.

Total reset (Réinitialisation totale)

- La console redémarrera et passera en mode « Réglage du profil utilisateur ».

Explication des fonctions à l'écran

Scan

- En mode SCAN, appuyer sur la touche MODE/ENTER pour sélectionner les fonctions.
- Scanne automatiquement dans chaque mode en fréquence toutes les 6 secondes.

- Voici la séquence d'affichage lorsqu'on appuie sur la touche MODE/ENTER (mode/entrée) : TIME » DIST » CAL » PULSE » RPM/SPEED

Speed (Vitesse)

- Affiche la vitesse actuelle d'entraînement.
- Plage 0.0 ~ 99.9
- SPEED affiche « 0.0 » si aucun signal n'est transmis au moniteur pendant 4 secondes au cours de l'entraînement.

RPM (tr/min)

- Affichage des rotations par minute
- Plage 0 ~ 999
- RPM affiche « 0 » si aucun signal n'est transmis au moniteur pendant 4 secondes au cours de l'entraînement.

Time (Durée)

- La durée est additionnée sans définir de valeur cible.
- Lorsqu'une valeur cible est fixée, la durée est comptée à rebours, de la valeur cible à 0 et l'alarme résonnera ou clignotera.
La durée continuera à s'additionner si l'entraînement n'est pas arrêté une fois l'objectif atteint.
- La durée s'arrête si aucun signal n'est transmis au moniteur pendant 4 secondes au cours de l'entraînement.
- Plage 0:00~99:59

Distance

- La distance parcourue est additionnée sans définir de valeur cible.
- Lorsqu'une valeur cible est fixée, la distance est comptée à rebours, de la valeur cible à 0 avec une alarme sonore ou clignotante.
La distance parcourue continuera à s'additionner si l'entraînement n'est pas arrêté une fois l'objectif atteint.
- Portée 0.00~99.99

Calories

- Les calories s'additionnent sans définir de valeur cible.
- Lorsqu'une valeur cible est fixée, les calories sont comptées à rebours, de la valeur cible à 0 avec une alarme sonore ou clignotante.
Les calories continueront à s'additionner si l'entraînement n'est pas arrêté une fois l'objectif atteint.
- Portée 0~9999



NOTE

- Ces données sont fournies à titre indicatif pour comparer entre différentes séances d'entraînement ; elles ne doivent pas être utilisées dans le cadre d'un traitement médical.

Pulse (Pouls)

- Le pouls actuel s'affiche après 6 secondes de la détection par la console.
- La console affiche « P » s'il n'y a aucun signal de pouls pendant 6 secondes.
- L'alarme de pouls résonne lorsque le pouls actuel est supérieur au pouls cible.
- Plage 0-30~230 BPM

Fonctionnement

Marche

- Appuyer sur une touche pour mettre en marche la console en mode veille.
- Commencer à pédaler pour mettre en marche la console en mode veille.



L'écran LCD affichera tous les segments (Fig. F-01)

Mettre hors tension

Le moniteur passe automatiquement en mode SLEEP (veille) si aucun signal n'est transmis au moniteur pendant 4 minutes.

Réglage du profil utilisateur

- Utiliser UP (haut) ou DOWN (bas) (bouton rotatif) pour régler SEX (sexe), HEIGHT (taille), WEIGHT (poids) et AGE (âge).
- Appuyez sur MODE/ENTER pour confirmer.

Paramètre d'entraînement

- Appuyer sur la touche MODE/ENTER (mode/entrée) pour sélectionner la fonction TIME (durée), DISTANCE, CALORIES et PULSE (pouls). Régler à l'aide de UP (haut) ou DOWN (bas) (BOUTON ROTATIF) et appuyer sur la touche MODE/ENTER (mode/entrée) pour confirmer.
- Par exemple, pour configuration la durée, vous pouvez utiliser UP (haut) et DOWN (bas) (BOUTON ROTATIF) pour ajuster le nombre lorsque la valeur de la durée clignote. Appuyer sur la touche MODE/ENTER pour confirmer et passer au réglage suivant. La configuration de DISTANCE, CALORIES et PULSE (pouls) est identique à celle de TIME (durée).

- Lorsque l'entraînement a commencé et que la console a détecté le signal d'exercice, la valeur de SPEED/RPM (vitesse/rotation), TIME (durée), DST (distance) et CAL (calories) s'additionne à l'écran. Si une cible est définie pour une valeur spécifique, cette valeur sera comptée à rebours jusqu'à atteindre l'objectif.

Récupération

- La touche RECOVERY (récupération) est valide si un pouls est décelé.
- TIME (durée) affiche « 0:60 » (secondes) et compte à rebours jusqu'à 0.
- L'ordinateur affiche F1 à F6 après le compte à rebours afin de tester l'état de récupération du rythme cardiaque. Le niveau de récupération du rythme cardiaque peut être retrouvé dans le graphique ci-après.
- Appuyer à nouveau sur la touche RECOVERY (récupération) pour revenir au début.

F1	Remarquable
F2	Excellent
F3	Bon
F4	Acceptable
F5	Inférieur à la moyenne
F6	Mauvais

Body Fat (Masse grasse)

- Appuyer sur la touche BODY FAT (masse grasse) pour démarrer la mesure de la masse grasse.
- Pendant la mesure, les utilisateurs doivent tenir les poignées des deux mains. L'écran LCD affiche « - » « - - » « - - - » « - - - - » pendant 8 secondes jusqu'à ce que l'ordinateur finisse la mesure.
- L'écran LCD affichera le BMI (IMC) et le FAT % (% de graisse).



REMARQUE

- Des « réglages de profil utilisateur » corrects sont nécessaires pour cette fonction.

Code d'erreur du mode masse grasse

- *E-1
- Aucun signal de rythme cardiaque n'est détecté.
- *E-4
- Se produit lorsque FAT% (% de masse grasse) et le résultat de BMI (indice de masse corporelle) sont inférieurs à 5 ou supérieurs à 50.

Résolution des pannes :

- Les piles doivent être changées lorsque l'affichage LCD devient sombre.
- Vérifier que le câble est bien branché s'il n'y a aucun signal lorsque vous pédalez.



NOTE

- L'écran principal s'éteindra si l'entraînement est à l'arrêt pendant 4 minutes.
- Si l'affichage de l'ordinateur n'est pas normal, veuillez réinstaller les piles et réessayer.

Nettoyage et maintenance

Cet équipement ne nécessite aucune maintenance spéciale. L'équipement n'a besoin d'aucune calibration après son assemblage, son utilisation et son entretien conformément aux instructions.



AVERTISSEMENT

- Avant le nettoyage et la maintenance, retirez l'adaptateur.
- N'utilisez aucun solvant pour nettoyer l'équipement.
- Nettoyez l'équipement avec un chiffon doux et absorbant après chaque usage.
- Vérifiez régulièrement le serrage de tous les écrous et vis.
- Si nécessaire, lubrifiez les joints.

Remplacement des piles (Fig E)

La console comporte 2 piles AA sur sa partie arrière.

- Retirez le cache.
- Retirez les piles usagées.
- Insérez les nouvelles piles. Assurez-vous de respecter les indications de polarité (+) et (-). Montez le cache.

Défauts et dysfonctionnements

Malgré un contrôle continu de la qualité, des défauts ou des dysfonctionnements peuvent être occasionnés par des composants individuels. La plupart du temps, il vous suffit de remplacer la pièce défectueuse.

- Si l'équipement ne fonctionne pas correctement, contactez immédiatement le revendeur.
- Fournissez le numéro de modèle et le numéro de série de l'équipement au revendeur. Mentionnez la nature du problème, les conditions d'usage et la date d'achat.

Transport et rangement



AVERTISSEMENT

- – Avant le transport et le stockage, retirez l'adaptateur.
 - – Deux personnes au moins sont nécessaires pour transporter et déplacer l'équipement.
- En vous tenant devant l'équipement de chaque côté, saisissez fermement ses guidons. Levez l'avant de l'équipement pour que l'arrière repose sur les roues. Déplacez l'équipement et reposez-le prudemment. Placez l'équipement sur une base protectrice pour éviter d'endommager la surface du sol.
- Déplacez prudemment l'équipement sur les surfaces irrégulières. Ne déplacez pas l'équipement sur ses roues pour monter des escaliers mais transportez-le par les guidons.
- Rangez l'équipement dans un endroit sec exposé à des variations de température minimales.

Informations supplémentaires

Élimination des emballages

Les réglementations gouvernementales nous demandent de réduire la quantité de matériaux déposés dans les décharges. C'est pour cela que nous faisons appel à votre responsabilité et vous demandons de déposer les emballages dans des centres de recyclage publics.

Élimination du produit

Chez Tunturi, nous espérons que vous profiterez longtemps de votre appareil de fitness. Cependant, nous savons bien qu'un jour ou l'autre votre machine arrivera au terme de sa vie utile. Selon la directive européenne sur les DEEE, vous êtes responsable de vous séparer correctement de votre appareil de fitness en le déposant dans un site public agréé de récupération des déchets.

Données techniques

Paramètre	Unité de mesure	Valeur
Longueur	cm inch	168 66
Largeur	cm inch	64 25
Hauteur	cm inch	122 48
Poids	kg lbs	51.4 113.1
Poids maxi. utilisateur	kg lbs	120 265
Taille de pile		AA

Garantie

Garantie du propriétaire d'un équipement de Tunturi

Conditions de garantie

Le consommateur dispose des droits légaux accordés par la législation nationale applicable au commerce des produits de consommation courante et cette garantie ne limite ces droits en aucun cas. La « Garantie du propriétaire » est valable uniquement si l'équipement est utilisé dans l'environnement correspondant à celui déterminé par Tunturi New Fitness BV. L'environnement d'utilisation de chaque appareil est mentionné dans le mode d'emploi fourni avec l'appareil en question.

Conditions de garantie

Les conditions de garantie sont applicables à compter de la date d'achat et peuvent varier selon les pays. Demandez conseil à votre revendeur.

Étendue de la garantie

En aucun cas Tunturi New Fitness BV, le revendeur ou le distributeur Tunturi ne répondra des éventuels dommages spéciaux, indirects, secondaires ou consécutifs, de quelque nature que ce soit, liés à l'utilisation de ou à l'inaptitude à utiliser cet équipement.

Restrictions de garantie

La garantie couvre les défauts de fabrication et de matériaux dans un équipement d'origine, sorti d'usine et conditionné par Tunturi New Fitness BV. La garantie couvre uniquement les défauts apparaissant lors d'une utilisation normale et conforme aux instructions du manuel du propriétaire, à condition que les instructions de montage, de maintenance et d'utilisation établies par Tunturi New Fitness BV aient été respectées. Tunturi New Fitness BV et les revendeurs Tunturi ne répondent pas des défauts occasionnés par des conditions indépendantes de leur volonté. La garantie est applicable uniquement au premier acheteur et est valable uniquement dans les pays où Tunturi New Fitness BV dispose d'un distributeur agréé. La garantie ne s'étend pas aux équipements de fitness ou aux pièces qui ont été modifiées sans l'autorisation de Tunturi New Fitness BV. La garantie ne s'applique pas aux défauts provenant d'une usure normale, d'une utilisation inadaptée, d'une utilisation dans des conditions non prévues par le fabricant, de la corrosion ou d'un dommage intervenu lors du chargement ou du transport.

La garantie ne couvre pas les sons ou les bruits émis par l'équipement s'ils ne gênent pas son utilisation et s'ils ne sont pas provoqués par un dysfonctionnement.

La garantie ne couvre pas non plus les mesures de maintenance, telles que le nettoyage, la lubrification ou la vérification normale des pièces, ni les actions que le client peut effectuer lui-même et qui n'exigent pas particulièrement de monter/ démonter l'équipement. Ces actions sont par exemple le changement des compteurs, des pédales ou autres pièces similaires faciles à changer. Seules les réparations sous garantie effectuées par un revendeur ou par le distributeur agréé Tunturi seront prises en charge. Le non-respect des instructions décrites dans le Manuel de l'Utilisateur entraînera l'annulation de la garantie.

Déclaration du fabricant

Tunturi Fitness BV déclare que le produit est conforme aux directives et normes suivantes : EN 957 (HB), 89/336/CEE. Ce produit porte donc la marque CE.

01-2017

Tunturi New Fitness BV
Purmerweg 1
1311 XE Almere
Pays-Bas

Limite de responsabilité

© 2017 Tunturi New Fitness BV

Tous les droits réservés.

Le produit et le manuel sont sujets à modifications. Les spécifications peuvent changer sans préavis.

Inhoud

Ligfietstrainer	39
Veiligheidswaarschuwingen	39
Beschrijving (fig. A)	40
Inhoud van de verpakking (fig. B & C)	40
Assemblage (fig. D)	40
Trainingen	40
Instructies	40
Gebruik	42
Console (fig F)	42
Werking van de knoppen	43
Uitleg van de weergavefuncties	43
Bediening	44
Reiniging en onderhoud	45
Vervangen van de batterijen (Fig E)	45
Defecten en storingen	45
Transport en opslag	45
Aanvullende informatie	45
Technische gegevens	46
Garantie	46
Verklaring van de fabrikant	46
Disclaimer	46

Nederlands

Deze Nederlandse handleiding is een vertaling van de Engelse tekst. Aan deze vertaling kunnen geen rechten ontleend worden. De originele Engelse tekst blijft leidend.

Ligfietstrainer

Welkom in de wereld van Tunturi Fitness!
Hartelijk dank voor uw aankoop van dit Tunturi-toestel. Tunturi biedt een grote verscheidenheid aan professionele toestellen zoals crosstrainers, loopbanden, fietstrainers, roeimachines en accessoires. Het Tunturi-toestel is geschikt voor de hele familie, onafhankelijk van de conditie. Meer informatie vindt u op de website www.tunturi.com

Veiligheidswaarschuwingen



WAARSCHUWING

Lees de veiligheid-waarschuwingen en de instructies. Het niet opvolgen van de veiligheid-waarschuwingen en de instructies kan persoonlijk letsel of beschadiging van het toestel veroorzaken. Bewaar de veiligheid-waarschuwingen en instructies voor toekomstig gebruik.



WAARSCHUWING

Hartslag-bewakingssystemen kunnen onnauwkeurig zijn. Overmatig trainen kan leiden tot ernstig letsel of de dood. Als u zich duizelig voelt, stop dan onmiddellijk met trainen.

- Het toestel is uitsluitend geschikt voor huishoudelijk gebruik. Het toestel is niet geschikt voor commercieel gebruik.
- Het maximum gebruik is beperkt tot 3 uur per dag.
- Het gebruik van dit toestel door kinderen of personen met fysieke, sensorische, geestelijke of motorische handicaps, of met gebrek aan ervaring en kennis kan gevaar veroorzaken. De personen die verantwoordelijk zijn voor hun veiligheid moeten uitdrukkelijke instructies geven of toezicht houden op het gebruik van het toestel.
- Laat uw gezondheid door een arts controleren voordat u met uw training begint.
- Als u misselijkheid, duizeligheid of andere abnormale symptomen ervaart, stop dan onmiddellijk met uw training en raadpleeg een arts.
- Om spierpijn en te zware belasting te voorkomen, moet u elke training beginnen met een warming-up en eindigen met een cooling-down. Vergeet niet om uw spieren te strekken aan het einde van de training.
- Het toestel is uitsluitend geschikt voor gebruik binnenshuis. Het toestel is niet geschikt voor gebruik buitenshuis.
- Gebruik het toestel alleen in een omgeving met voldoende ventilatie. Gebruik het toestel niet in een tochtige omgeving om geen kou te vatten.
- Gebruik het toestel alleen in een omgeving met een omgevingstemperatuur tussen 10 °C en 35 °C. Berg het toestel alleen op bij een omgevingstemperatuur tussen 5 °C en 45 °C.
- Gebruik het toestel niet in een vochtige omgeving. Berg het toestel niet op in een vochtige omgeving. De luchtvochtigheid mag nooit meer zijn dan 80%.
- Gebruik het toestel alleen voor het doel waarvoor het gemaakt is. Gebruik het toestel niet voor andere doelstellingen dan beschreven in de handleiding.
- Gebruik het toestel niet als een onderdeel is beschadigd of niet goed werkt. Raadpleeg uw dealer als een onderdeel is beschadigd of niet goed werkt.

- Houd uw handen, voeten en andere lichaamsdelen uit de buurt van de bewegende delen.
- Houd uw haar uit de buurt van de bewegende delen.
- Draag geschikte kleding en schoenen.
- Houd kleding, sieraden en andere voorwerpen uit de buurt van de bewegende delen.
- Zorg ervoor dat het toestel slechts door één persoon tegelijk wordt gebruikt. Het toestel mag niet worden gebruikt door personen die meer dan 120 kg (265 lbs) wegen.
- Maak het toestel niet open zonder eerst uw dealer te raadplegen.

Beschrijving (fig. A)

Uw ligfietstrainer is een stationair fitnessstoestel dat wordt gebruikt voor het nabootsen van fietsen zonder dat de gewrichten te veel belast worden.

Inhoud van de verpakking (fig. B & C)

- De verpakking bevat de onderdelen zoals aangegeven in fig. B.
- De verpakking bevat de bevestigingsmiddelen zoals aangegeven in fig. C. Raadpleeg het gedeelte "Beschrijving".



LET OP

- Raadpleeg uw dealer als een onderdeel ontbreekt.

Assemblage (fig. D)



WAARSCHUWING

- Monteer het apparaat in de aangegeven volgorde.
- Draag en verplaats het toestel met minstens twee personen.



VOORZICHTIG

- Zet het toestel op een stevige, vlakke ondergrond.
 - Zorg voor een beschermende laag onder het toestel om schade aan het vloeroppervlak te voorkomen.
 - Houd rondom de apparatuur ten minste een bewegingsruimte van 100 cm.
- Raadpleeg de illustraties voor de juiste assemblage van het toestel.



LET OP

- Bewaar, nadat u het apparaat in elkaar hebt gezet, het gereedschap dat bij dit product is geleverd. Dit met het oog op service op een later tijdstip.

Trainingen

De training moet licht genoeg zijn, maar wel langdurig. Aerobische training is gebaseerd op verbetering van de maximale zuurstofopname van het lichaam, die dan het uithoudingsvermogen en de conditie weer verbetert. U moet tijdens de training wel transpireren, maar u mag niet buiten adem raken.

Voor het bereiken en in stand houden van een basisconditie moet u minstens drie keer per week steeds 30 minuten trainen. Verhoog het aantal trainingssessies ter verbetering van uw conditie. Het is de moeite waard om regelmatige lichaamsbeweging met gezonde voeding te combineren. Iemand die zich goed aan een dieet houdt, zou elke dag moeten trainen te beginnen met 30 minuten of korter, en de dagelijkse trainingsduur geleidelijk opvoeren tot één uur. Begin uw training bij een lage snelheid en een lage weerstand om te voorkomen dat uw hart en bloedvaten te sterk belast worden. Naarmate uw conditie verbetert, kunnen snelheid en weerstand geleidelijk worden verhoogd. De doelmatigheid van uw training kan worden gemeten door uw hartslag.

Instructies

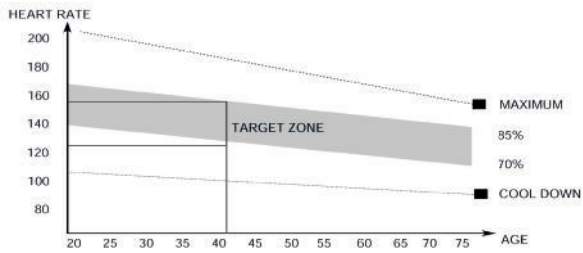
Het gebruik van dit fitness apparaat biedt meerdere voordelen: u verbetert uw fysieke conditie, u versterkt uw spieren en u valt in combinatie met een caloriearm dieet af.

De warming-up

In deze fase wordt uw bloedsomloop gestimuleerd voor een juiste werking van de spieren. Tevens wordt het risico op kramp en spier-letsel verminderd. Wij raden u aan enkele stretch oefeningen te doen, zoals hieronder beschreven. Houd elke stretch oefening ongeveer 30 seconden vol. Forceer uw spieren niet bij het stretchen. STOP als het pijn doet

De training fase

Dit is de fase waarin u de meeste inspanning levert. Na regelmatig gebruik worden de spieren in uw benen flexibeler. Het is in deze fase zeer belangrijk dat u een gelijkmatig tempo aanhoudt. De snelheid moet voldoende zijn om uw hartslag te laten stijgen naar de doel zone die in de onderstaande grafiek te zien is.



Deze fase moet minimaal 12 minuten duren, maar de meeste mensen beginnen met ongeveer 15-20 minuten.

De cooling down

In deze fase ontspant u uw cardiovasculaire systeem en spieren. Dit is een herhaling van de warming-uptraining. Verlaag dus uw tempo en ga ongeveer 5 minuten door. Herhaal nu de stretch-oefeningen. Forceer uw spieren niet tijdens het stretchen. Naarmate u fitter wordt, moet u langer en harder trainen. Het is raadzaam minstens drie keer per week te trainen en zo nodig uw oefeningen gelijkmatig over de week te verspreiden.

Spierversteviging

Als u uw spieren wilt verstevigen met behulp van dit fitnessapparaat, stelt u de weerstand in op hoog. Zo komt er meer spanning op uw beenspieren. Mogelijk kunt u niet zo lang trainen als u zou willen. Als u ook uw conditie wilt verbeteren, moet u het trainingsprogramma aanpassen. Tijdens de warming-up en cooling-down traint u zoals normaal, maar tegen het eind van de trainingsfase verhoogt u de weerstand zodat uw benen harder moeten werken. Verlaag hierbij de snelheid zodat uw hartslag in de doelzone blijft.

Gewichtverlies

Hierbij is het van belang hoeveel inspanning u levert. Hoe harder en langer u werkt, hoe meer calorieën u verbrandt. In feite is dit hetzelfde als wanneer u zou trainen om uw conditie te verbeteren. Het doel is alleen anders.

Hartslagmeting (handgreepsensoren)

De hartslag wordt gemeten door sensoren in de handgrepen wanneer de gebruiker beide sensoren tegelijkertijd aanraakt. Voor de meest nauwkeurige hartslagmeting moet de huid enigszins vochtig zijn en moet u de handgreepsensoren voortdurend aanraken. Bij een te droge of te vochtige huid kan de hartslagmeting minder nauwkeurig worden.

i LET OP

- Gebruik de handgreepsensoren niet in combinatie met een hartslagborstband.
- Als u een hartslaglimiet hebt ingesteld voor uw training, klinkt er een alarm wanneer deze wordt overschreden.

Hartslagmeting (hartslagborstband)

De meest nauwkeurige hartslagmeting wordt bereikt met een hartslagborstband. De hartslag wordt gemeten met een hartslagontvanger in combinatie met een band die de hartslag verzendt. Voor een nauwkeurige hartslagmeting moeten de elektroden op de borstband enigszins vochtig zijn en de huid constant aanraken. Bij te droge of te natte elektroden kan de hartslagmeting minder nauwkeurig worden.



WAARSCHUWING

Als u een pacemaker hebt, moet u het eerst met uw dokter bespreken voordat u een hartslagborstband gebruikt.



VOORZICHTIG

- Als er verscheidene hartslagmeetapparaten naast elkaar staan, zorg er dan voor dat de tussenafstand minstens 2 meter is.
- Als er slechts één hartslagontvanger en verscheidene hartslagzenders zijn, zorg dan dat er slechts één persoon met een zender in het zendbereik is.



LET OP

- Gebruik de hartslagborstband niet in combinatie met de handgreepsensoren.
- Draag de hartslagborstband altijd onder uw kleding, direct op uw huid. Draag de hartslagborstband niet boven uw kleding. Als u de hartslagborstband boven uw kleding draagt, zal er geen signaal komen.
- Als u een hartslaglimiet hebt ingesteld voor uw training, klinkt er een alarm wanneer deze wordt overschreden.
- De zender verzendt de hartslag naar de console tot over een afstand van 1,5 meter. Als de elektroden niet vochtig zijn, verschijnt de hartslag niet op de display.
- Sommige vezels in kleding (bijv. polyester, polyamide) produceren statische elektriciteit die een nauwkeurige hartslagmeting kan hinderen.
- Mobiele telefoons, televisies en andere elektrische apparaten creëren een elektromagnetisch veld dat een nauwkeurige hartslagmeting kan hinderen.

Maximale hartslag (tijdens de training)

De maximale hartslag is de hoogste hartslag die iemand veilig kan bereiken door de belasting van de training. De volgende formule wordt gebruikt voor het berekenen van de gemiddelde maximale hartslag: $220 - \text{LEEF TIJD}$. De maximale hartslag varieert van persoon tot persoon.

**WAARSCHUWING**

- Zorg ervoor dat u tijdens uw training niet boven uw maximale hartslag komt. Als u bij een risicogroep hoort, moet u een arts raadplegen.

Beginner**50-60% van de maximale hartslag**

Geschikt voor beginners, mensen die willen afvallen, herstellende patiënten en personen die lange tijd niet getraind hebben. Train minstens drie keer per week, 30 minuten per keer.

Gevorderd**60-70% van de maximale hartslag**

Geschikt voor personen die hun conditie willen verbeteren en in stand houden. Train minstens drie keer per week, 30 minuten per keer.

Expert**70-80% van de maximale hartslag**

Geschikt voor de fitste personen die gewend zijn aan langdurige duurtraining.

Gebruik

Afstellen van de steunvoeten

Het toestel is voorzien van 4 steunvoeten. Als het toestel niet stabiel is, kunnen de steunvoeten worden versteld.

- Draai de steunvoeten zo ver in of uit als nodig is om het toestel in een stabiele positie te krijgen.
- Draai de borgmoeren vast om de steunvoeten te vergrendelen..

**LET OP**

Het toestel is het meest stabiel wanneer alle steunvoeten volledig zijn ingedraaid. Nivelleer het toestel eerst door alle steunvoeten volledig in te draaien alvorens de nodige steunvoeten uit te draaien om het toestel te stabiliseren.

Afstellen van de horizontale zadelpositie

De horizontale zadelpositie kan worden afgesteld door het zadel in de gewenste positie te zetten.

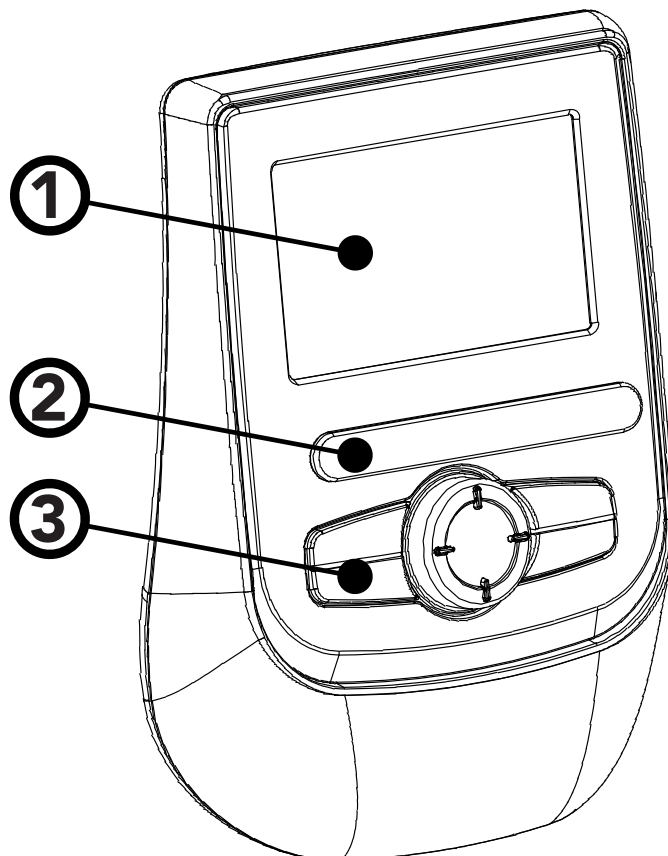
- Draai de stelknop voor het zadel los.
- Zet het zadel in de gewenste positie.
- Draai de stelknop voor het zadel vast.

Weerstand aanpassen

Om de weerstand te verhogen of verlagen draait u de weerstandsknop aan de stuurbuis met de klok mee (+ richting) om de weerstand te verhogen en tegen de klok in (- richting) om de weerstand te verlagen.

De schaalverdeling boven de knop (1-8) helpt u bij het vinden en opnieuw instellen van een passende weerstand.

Console (fig F)



1. Display
2. Steun voor tablet/boek
3. Knoppen

**VOORZICHTIG**

- Houd de console uit de buurt van direct zonlicht.
- Droog het oppervlak van de console wanneer het met zweetdruppels is bedekt.
- Leun niet op de console.
- Raak de display alleen met uw vingertop aan. Raak de display niet aan met uw nagels of een scherp voorwerp.

**LET OP**

- De console gaat naar standby wanneer het toestel gedurende 4 minuten niet wordt gebruikt.

Werking van de knoppen

Up (keuzewiel)

- Draai het keuzewiel naar rechts om de waarde te verhogen.
- TIME - bereik van instellingen: 00:00~99:00 (Elke stap is 1:00)
- CAL - bereik van instellingen: 0~9990 (Elke stap is 10)
- DIST - bereik van instellingen: 0.00~99.50 (Elke stap is 0.5)
- PULSE - bereik van instellingen: 0-30~230 (Elke stap is 1)

Down (keuzewiel)

- Draai het keuzewiel naar links om de waarde te verlagen.
- TIME - bereik van instellingen: 00:00~99:00 (Elke stap is 1:00)
- CAL - bereik van instellingen: 0~9990 (Elke stap is 10)
- DIST - bereik van instellingen: 0.00~99.50 (Elke stap is 0.5)
- PULSE - bereik van instellingen: 0-30~230 (Elke stap is 1)

Mode/Enter

- Druk op de toets MODE/ENTER om een functie te kiezen.
- Houd de toets MODE/ENTER 2 seconden ingedrukt om alle functies te resetten (dezelfde functie als de toets RESET 2 seconden ingedrukt te houden).

Reset

- Druk in de modus Instellingen eenmaal op de toets RESET om de huidige functiegetallen te resetten.
- Houd RESET 2 seconden ingedrukt om alle functiegetallen te resetten

Recovery

- Nadat de console het pulse-sigitaal registreert, drukt u op de toets RECOVERY om de modus te activeren waarin u uw hartslagherstel kunt volgen

Body Fat

- Test van lichaamsvetpercentage en BMI.

Total reset

- Console start opnieuw en gaat naar de modus 'Gebruikersprofiel instellen'.

Uitleg van de weergavefuncties

Scan

- Druk in de modus SCAN op de toets MODE/ENTER om een functie te kiezen.

- Elke 6 seconden wordt automatisch op volgorde door elke modus gescand.
- Wanneer u op de toets MODE/ENTER drukt, is de volgorde van weergave:: TIME » DIST » CAL » PULSE » RPM/SPEED

Speed

- Hier ziet u de huidige snelheid.
- Bereik 0.0 ~ 99.9
- Wanneer tijdens de workout gedurende 4 seconden geen signaal naar de monitor wordt verzonden, staat SPEED op '0.0'.

RPM

- Weergave van de rotaties per minuut
- Bereik 0 ~ 999
- Wanneer tijdens de workout gedurende 4 seconden geen signaal naar de monitor wordt verzonden, staat RPM op '0'.

Time (Tijd)

- Wanneer u geen doelwaarde instelt, wordt de tijd opgeteld.
- Wanneer u wel een doelwaarde instelt, wordt de tijd terug geteld vanaf de doelwaarde. Zodra het aantal op 0 komt, hoort u een alarm of gaat het display knipperen. De tijd wordt verder opgeteld als u niet stopt met trainen nadat het doel is bereikt.
- Wanneer tijdens de workout gedurende 4 seconden geen signaal naar de monitor wordt verzonden, stopt de tijd
- Bereik 0:00 ~ 99:59

Distance (Afstand)

- Wanneer u geen doelwaarde instelt, wordt de afstand opgeteld.
- Wanneer u wel een doelwaarde instelt, wordt de afstand terug geteld vanaf de doelwaarde. Zodra het aantal op 0 komt, hoort u een alarm of gaat het display knipperen. De afstand wordt verder opgeteld als u niet stopt met trainen nadat het doel is bereikt.
- Bereik 0.00 ~ 99.99

Calories

- Wanneer u geen doelwaarde instelt, wordt het aantal verbruikte calorieën opgeteld.
- Wanneer u wel een doelwaarde instelt, wordt het aantal calorieën terug geteld vanaf de doelwaarde. Zodra het aantal op 0 komt, hoort u een alarm of gaat het display knipperen. Het aantal calorieën wordt verder geteld als u niet stopt met trainen nadat het doel is bereikt.
- Bereik 0 ~ 9999



LET OP

- Deze gegevens zijn een richtlijn voor de vergelijking van verschillende trainingssessies en kunnen niet voor medische behandelingen worden gebruikt.

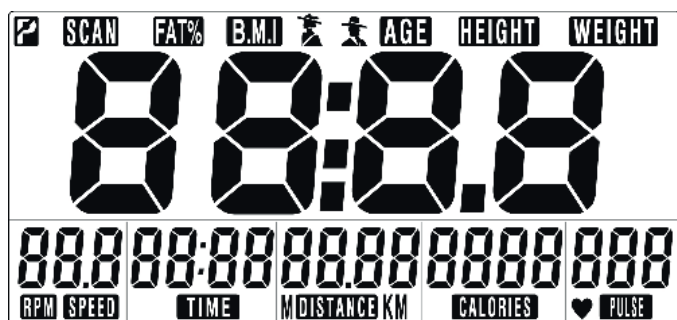
Pulse

- Wanneer uw hartslag door de console wordt geregistreerd, ziet u na 6 seconden uw huidige hartslag.
- Wanneer gedurende 6 seconden geen hartslagsignaal wordt geregistreerd, wordt 'P' weergegeven.
- U hoort een hartslagalarm als uw huidige hartslag de ingestelde hartslag overschrijdt.
- Bereik 0-3 0~ 230 BPM

Bediening

Inschakelen

- Wanneer het apparaat zich in de slaapmodus bevindt, drukt u op een willekeurige toets op de console om het apparaat in te schakelen.
- U kunt ook gaan fietsen om het apparaat te activeren.



Op het LCD-display worden alle segmenten weergegeven (fig. F-01)

Uitschakelen

Wanneer gedurende 4 minuten geen signaal naar de monitor wordt verzonden, schakelt het apparaat automatisch naar de slaapmodus.

Gebruikersprofiel instellen

- Met UP of DOWN (keuzewiel) stelt u SEX, HEIGHT, WEIGHT en AGE in.
- Druk op MODE/ENTER om uw keuze te bevestigen.

Workout instellen

- Druk op de toets MODE/ENTER om de functie TIME, DISTANCE, CALORIES en PULSE te selecteren. Met UP of DOWN (keuzewiel) kiest u de instellingen; druk op de toets MODE/ENTER om uw keuze te bevestigen.

- Wanneer u bijvoorbeeld de tijd instelt, knippert de waarde bij TIME en kunt u met UP en DOWN (keuzewiel) de gewenste tijd instellen. Druk op de toets MODE/ENTER om uw keuze te bevestigen en ga verder met de volgende instelling. DISTANCE, CALORIES en PULSE stelt u op dezelfde manier in als TIME.
- Als de workout begint en de console registreert het trainingssignaal, gaan op het display de waarden voor SPEED/RPM, TIME, DST en CAL tellen. Als een specifieke doelwaarde is ingesteld, wordt terug geteld totdat het doel is bereikt.

Recovery

- De toets RECOVERY werkt alleen als een hartslag wordt geregistreerd.
- Bij TIME wordt '0:60' (seconden) weergegeven; er wordt terug geteld naar 0.
- Na het aftellen om de status van het hartslagherstel te testen, wordt op de computer F1 tot en met F6 weergegeven. De gebruiker kan het hartslagherstelniveau vinden in de onderstaande tabel.
- Druk opnieuw op de toets RECOVERY om terug te keren naar het begin.

F1	Voortreffelijk
F2	Uitstekend
F3	Goed
F4	Normaal
F5	Onder het gemiddelde
F6	Slecht

Body Fat

- Druk op de toets BODY FAT om te beginnen met de meting van het lichaamsvetpercentage.
- Tijdens de meting moet de gebruiker met beide handen de handgrepen vasthouden. Op het LCD-display wordt gedurende 8 seconden "--" "- -" "- - -" "- - - -" weergegeven, totdat de computer de meting heeft afgerond.
- Op het LCD-display worden BMI en vetpercentage weergegeven.



OPMERKING

- Voor deze functie moet het gebruikersprofiel correct zijn ingesteld.

Foutmeldingen in de modus Body Fat

- *E-1
Er wordt geen hartslagsignaal geregistreerd.
- *E-4
Treedt op wanneer het vetpercentage en het BMI-resultaat lager is dan 5 of hoger is dan 50.

Problemen oplossen

- Wanneer het LCD-display wordt gedimd, moeten de batterijen worden vervangen.
- Als er geen signaal is wanneer u fietst, controleer dan of de kabel goed is aangesloten.



LET OP

- Wanneer u gedurende 4 minuten stopt met de training, wordt het hoofdscherm uitgeschakeld.
- Wanneer de computerweergave niet normaal is, installeert u de batterijen opnieuw en probeert u het nogmaals.

Reiniging en onderhoud

Het toestel vereist geen speciaal onderhoud. Het toestel heeft geen kalibratie wanneer het wordt geassembleerd, gebruikt en onderhouden overeenkomstig de instructies.



WAARSCHUWING

- Verwijder voor reiniging of onderhoud de adapter.
- Gebruik geen oplosmiddelen om het toestel te reinigen.
- Reinig het toestel na elk gebruik met een zachte absorberende doek.
- Controleer regelmatig of alle schroeven en moeren goed vast zitten.
- Smeer indien nodig de draaipunten.

Vervangen van de batterijen (Fig E)

De console is uitgerust met 2 AA-batterijen aan de achterkant van de console..

- Verwijder het deksel.
- Verwijder de oude batterijen.
- 3. Plaats de nieuwe batterijen. Zorg ervoor dat de (+) en (-) polariteitsmarkeringen van de batterijen op de goede plaats zitten.
- Monteer het deksel.

Defecten en storingen

Ondanks voortdurende kwaliteitscontrole kan het gebeuren dat het toestel door individuele onderdelen defect is of niet goed werkt. In de meeste gevallen zal het voldoende zijn om het defecte onderdeel te vervangen.

- Als het toestel niet goed werkt, neem dan onmiddellijk contact op met de dealer.
- Geef het modelnummer en serienummer van het toestel op aan de dealer. Vertel wat de aard van het probleem is, hoe het toestel wordt gebruikt en wanneer u het toestel heeft gekocht.

Transport en opslag



WAARSCHUWING

- Verwijder voor transport en opslag de adapter.
- Draag en verplaats het toestel met minstens twee personen.
- Blijf aan weerskanten aan de voorkant van het toestel staan en pak de handgrepen stevig vast. Til de voorkant van het toestel op zodat de achterkant van het toestel op de wielen komt te rusten. Verplaats het toestel en zet het voorzichtig neer. Zorg voor een beschermende laag onder het toestel om schade aan het vloeroppervlak te voorkomen.
- Verplaats het toestel voorzichtig over een ongelijke ondergrond. Breng het toestel niet met behulp van de wielen naar boven, maar draag het toestel bij de handgrepen.
- Berg het toestel op een droge plaats op met zo weinig mogelijk temperatuurwisselingen.

Aanvullende informatie

Afvoeren van verpakkingsmateriaal

Overheids-richtlijnen geven aan dat we de hoeveelheid afvalmateriaal afgevoerd naar stortplaatsen moeten verminderen. Daarom vragen we u al het afvalmateriaal op verantwoordelijke wijze af te voeren naar openbare recycling-centra.

Verrwijdering aan het eind van de levensduur.

We hopen dat u jarenlang plezier hebt van uw fitnessapparaat. Er komt echter een moment waarop het fitnessapparaat het eind van de bruikbare levensduur heeft bereikt. Onder de Europese AEEA-wetgeving bent u verantwoordelijk voor het op de juiste wijze afvoeren van uw fitnessapparaat naar een erkend openbaar inzamelpunt.

Technische gegevens

Parameter	Meeteenheid	Waarde
Lengte	cm inch	168 66
Breedte	cm inch	64 25
Hoogte	cm inch	122 48
Gewicht	kg lbs	51.4 113.1
Max. gewicht gebruiker	kg lbs	120 265
Batterijen maat		AA

Garantie

Garantie voor eigenaars van Tunturi trainingsapparatuur

Garantievoorwaarden

De consument ontleent wettelijke rechten aan de van toepassing zijnde nationale wetgeving aangaande de handel in consumentengoederen en de garantie zal deze rechten niet beperken.

De "Garantie voor de Eigenaar" geldt alleen dan wanneer het toestel wordt gebruikt in de door Tunturi New Fitness BV voor dat toestel toegestane gebruiksomgeving. Voor elk toestel wordt de toegestane gebruiksomgeving beschreven in de gebruiksaanwijzing van het toestel.

Garantievoorwaarden

De garantievoorwaarden gaan in vanaf de datum van aankoop. Deze kunnen per land verschillen. Vraag in de winkel bij u in de buurt naar de garantievoorwaarden.

Garantiedekking

In geen enkele omstandigheid zal Tunturi New Fitness BV of een wederverkoper van Tunturi aansprakelijk zijn voor eventuele indirecte schade geleden door de koper, zoals verlies van gebruiksnut of inkomstenderving of andere indirecte economische gevolgen.

Garantiebeperkingen

De garantie dekt defecten van het toestel die het gevolg zijn van materiaalfouten of onjuist uitgevoerd

werk, mits het toestel zijn originele samenstelling heeft. De garantie betreft alleen defecten die blijken tijdens normaal gebruik overeenkomstig de meegeleverde gebruiksaanwijzing, mits de montage-, onderhouds- en gebruiksaanwijzingen van Tunturi zijn opgevolgd. Tunturi New Fitness BV en zijn wederverkopers zijn niet aansprakelijk voor defecten tengevolge van factoren waarop zij geen invloed kunnen uitoefenen. De garantie betreft alleen de eerste eigenaar van het toestel en is alleen geldig in landen waar een geautoriseerde importeur van Tunturi New Fitness BV is gevestigd. De garantie betreft geen trainingstoestellen of onderdelen die zijn gewijzigd zonder toestemming van Tunturi New Fitness BV. De garantie dekt geen defecten tengevolge van normale slijtage, onjuist gebruik, gebruik in omstandigheden waarvoor het toestel niet is bedoeld, corrosie of schade ontstaan tijdens laden of transport. De garantie geldt niet voor geluiden die ontstaan door het gebruik, als ze het gebruik van het apparaat niet wezenlijk belemmeren en niet veroorzaakt zijn door een defect aan het apparaat.

De garantie omvat ook geen onderhoudsmaatregelen, zoals reiniging, smering of normale inspectie van onderdelen, noch dergelijke montagewerkzaamheden die de klant zelf kan uitvoeren en die geen speciale demontage en montage van het toestel vereisen. Dit soort maatregelen zijn bijv. vervanging van monitoren, pedalen of andere vergelijkbare eenvoudige onderdelen. Garantieherstel dat is uitgevoerd door een ander dan de geautoriseerde Tunturi-vertegenwoordiger wordt niet vergoed. De garantie geldt alleen voor normaal, voorgeschreven gebruik van het product zoals beschreven in de handleiding.

Verklaring van de fabrikant

Tunturi New Fitness BV verklaart dat het product voldoet aan de volgende normen en richtlijnen: EN 957 (HA), 89/336/EEG. Het product is derhalve voorzien van het CE-label.

01-2017

Tunturi New Fitness BV
Purmerweg 1
1311 XE Almere
The Netherlands

Disclaimer

© 2017 Tunturi New Fitness BV
Alle rechten voorbehouden.

Het product en de handleiding zijn aan veranderingen onderhevig. Specificaties kunnen zonder verdere kennisgeving worden veranderd.

Índice

Bicicleta reclinable	47
Advertencias de seguridad	47
Descripción (fig. A)	48
Package contents (fig. B & C)	48
Montaje (fig. D)	48
Sesiones de ejercicio	48
Ejercicio Instrucciones	48
Del ritmo cardíaco	49
Uso	50
Consola (fig F)	50
Explicación de los botones	51
Explicación de las funciones de pantalla	51
Funcionamiento	52
Limpieza y mantenimiento	53
Sustitución de las pilas (Fig E)	53
Defectos y fallos	53
Transporte y almacenamiento	53
Información adicional	53
Datos técnicos	54
Garantía	54
Declaración del fabricante	54
Descargo de responsabilidad	55

Español

Este manual español es una traducción del texto inglés. No se pueden derivar derechos de esta traducción. El texto original en inglés prevalecerá.

Bicicleta reclinable

¡Bienvenido al mundo de Tunturi Fitness!
Le agradecemos la compra de esta máquina Tunturi. Tunturi ofrece una amplia gama de máquinas de fitness profesionales como bicicletas elípticas, cintas de correr y bicicletas de ejercicio. La máquina Tunturi es adecuada para toda la familia, independientemente del nivel de forma física. Si desea información adicional, visite nuestro sitio web www.tunturi.com

Advertencias de seguridad



ADVERTENCIA

Lea las advertencias de seguridad y las instrucciones. De no seguirse las advertencias de seguridad y las instrucciones pueden producirse lesiones personales o daños en la máquina. Conserve las advertencias de seguridad y las instrucciones para su consulta posterior.



ADVERTENCIA

Los sistemas de motorización de frecuencia cardíaca pueden ser imprecisos. Un exceso de ejercicio puede provocar lesiones graves o incluso la muerte. Si se siente mareado, deje de hacer ejercicio inmediatamente.

- La máquina es adecuada únicamente para uso doméstico. La máquina no es adecuada para un uso comercial.
- El uso máx. Está limitado a 3 horas al día..
- El uso de esta máquina por niños o por personas con una discapacidad física, sensorial o motora, o falta de experiencia y conocimientos, puede dar lugar a situaciones de riesgo. Las personas responsables de su seguridad deben dar instrucciones explícitas o supervisar el uso de la máquina.
- Antes de empezar a hacer ejercicio, consulte con un médico para comprobar su estado de salud.
- Si experimenta náuseas, mareos u otros síntomas anormales, deje de hacer ejercicio inmediatamente y consulte con un médico.
- Para evitar dolor y tensión muscular, realice un calentamiento antes de empezar a hacer ejercicio y termine haciendo relajación. Recuerde hacer estiramientos al final de la sesión de ejercicio.
- La máquina es adecuada únicamente para uso en interior. La máquina no es adecuada para un uso en exterior.
- Utilice la máquina únicamente en lugares con una ventilación adecuada. No utilice la máquina en lugares donde haya corriente para no resfriarse.
- Utilice la máquina únicamente en lugares con una temperatura ambiente entre 10 °C y 35 °C. Almacene la máquina únicamente en lugares con una temperatura ambiente entre 5 °C y 45 °C.
- No utilice ni almacene la máquina en espacios húmedos. La humedad del aire no debe ser superior al 80%.
- Utilice la máquina sólo para su uso previsto. No la utilice para otros fines que no sean los descritos en el manual.
- La máquina no debe utilizarse si alguna de las piezas ha sufrido daños o tiene algún defecto. Contacte con su proveedor si alguna de las piezas ha sufrido daños o tiene algún defecto.
- Mantenga las manos, los pies y demás partes del cuerpo alejadas de las piezas móviles.

- Mantenga el pelo alejado de las piezas móviles.
- Lleve ropa y calzado adecuado.
- Mantenga la ropa, las joyas y otros objetos alejados de las piezas móviles.
- Asegúrese de que sólo una persona utilice la máquina cada vez. La máquina no debe ser utilizada por personas cuyo peso supere los 120 kg (265 lbs).
- No abra la máquina sin consultar con su proveedor.

Descripción (fig. A)

La bicicleta reclinable es una máquina estacionaria de fitness que se utiliza para simular la acción de montar en bicicleta sin generar una presión excesiva en las articulaciones.

Package contents (fig. B & C)

- El paquete contiene los elementos que se muestran en la fig. B.
- El paquete contiene los elementos de fijación que se muestran en la fig. C. consulte la sección "Descripción".



NOTA

- Si falta una pieza, contacte con su proveedor.

Montaje (fig. D)



ADVERTENCIA

- Monte la máquina en el orden indicado.
- Al menos dos personas deben transportar y mover la máquina.



PRECAUCIÓN

- Coloque la máquina sobre una superficie firme y nivelada.
- Coloque la máquina sobre una base protectora para evitar daños en la superficie del suelo.
- Deje unos 100 cm de espacio alrededor de la máquina.

- Consulte las ilustraciones para el correcto montaje de la máquina.



NOTA

- Guarde las herramientas suministradas con este producto una vez que haya completado el montaje del producto, para futuros fines de servicio.

Sesiones de ejercicio

La sesión de ejercicio debe ser ligera, pero de larga duración. El ejercicio aeróbico se basa en mejorar el consumo de oxígeno máximo del cuerpo, lo que a su vez mejora la resistencia y la forma física. Debe transpirar, pero no debe quedarse sin aliento durante la sesión de ejercicio. Para lograr y mantener un nivel de forma física básico, debe realizar ejercicio al menos tres veces a la semana, 30 minutos cada vez. Aumente el número de sesiones de ejercicio para mejorar su nivel de forma física. Vale la pena combinar el ejercicio regular con una dieta sana. Una persona que se encuentre a dieta debe realizar ejercicio a diario, al principio 30 minutos o menos cada vez, aumentando gradualmente el tiempo de ejercicio diario hasta una hora. Empiece la sesión de ejercicio a velocidad baja y resistencia baja para evitar que el sistema cardiovascular se vea sometido a una tensión excesiva. A medida que mejore el nivel de forma física, pueden aumentarse gradualmente la velocidad y la resistencia. La eficiencia de su ejercicio puede medirse supervisando su frecuencia cardíaca y sus pulsaciones.

Ejercicio Instrucciones

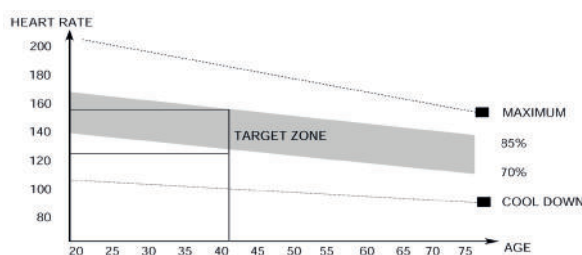
El uso de su entrenador le aportará muchas ventajas, mejorará su tono físico, tonificará los músculos y, combinado con una dieta con un consumo controlado de calorías, le ayudará a perder peso.

Fase de calentamiento

Esta fase mejora la circulación y favorece el buen funcionamiento de los músculos. Asimismo, reduce el riesgo de calambres y de lesiones musculares. Es conveniente realizar una serie de ejercicios de estiramiento, como se muestra más abajo. Al estirar se debe mantener la posición durante unos 30 segundos; no fuerce los músculos ni realice movimientos bruscos para estirarlos, si duele, PARE inmediatamente.

Fase de ejercicio

Esta es la fase de esfuerzo. Tras un uso regular, los músculos de las piernas irán ganando flexibilidad. Es importante mantener un ritmo estable durante toda esta fase. El ejercicio debe ser lo suficientemente fuerte como para incrementar el ritmo cardíaco hasta el objetivo que se muestra en el siguiente cuadro.



Esta fase debe tener una duración mínima de 12 minutos, aunque la mayoría de las personas empiezan a los 15-20 minutos.

Fase de enfriamiento

La finalidad de esta fase es permitir que se relaje el sistema cardiovascular y los músculos. Es una repetición del ejercicio de calentamiento, por lo que debe ir reduciendo el ritmo de manera constante durante unos 5 minutos. En este momento debe repetir también los ejercicios de estiramiento, evitando de nuevo forzar los músculos o hacer movimientos bruscos.

A medida que vaya mejorando su forma física, es posible que el entrenamiento tenga que ser más largo e intenso. Es aconsejable entrenarse al menos tres veces a la semana, espaciando de manera uniforme, en la medida de lo posible, los entrenamientos durante la semana.

Tonificación muscular

Si quiere tonificar los músculos mientras trabaja con el aparato, deberá ajustar la resistencia en un nivel bastante alto. Así aumentará la tensión sobre los músculos de las piernas, con lo que es posible que no pueda entrenarse durante todo el tiempo que le gustaría. Si quiere mejorar su condición física, tendrá que modificar también el programa de entrenamiento. El entrenamiento durante las fases de calentamiento y enfriamiento será igual, pero debe aumentar la resistencia hacia el final de la fase de ejercicio para incrementar el esfuerzo del tren inferior. Tendrá que reducir la velocidad para mantener el ritmo cardíaco en la zona objetivo.

Pérdida de peso

El factor determinante en este sentido es el esfuerzo realizado. Cuanto más intenso y prolongado sea el ejercicio físico, más calorías quemará. En realidad, es lo mismo que si se entrenara para mejorar la condición física, lo que cambia es el objetivo.

Del ritmo cardíaco

Medición de las pulsaciones (sensor de pulsaciones de mano)

Las pulsaciones se miden con unos sensores en los manillares cuando el usuario toca ambos sensores al mismo tiempo.

ligeramente húmeda y tocar constantemente los sensores de pulsaciones de mano. Si la piel está demasiado seca o demasiado húmeda, la medición de las pulsaciones puede resultar menos precisa.



NOTA

- No utilice los sensores de pulsaciones de mano en combinación con una correa en el pecho para la frecuencia cardíaca.

- Si define un límite de frecuencia cardíaca para su sesión de ejercicio, cada vez que éste se supere sonará una alarma.

Medición de la frecuencia cardíaca (correa en el pecho para la frecuencia cardíaca)

La medición más precisa de la frecuencia cardíaca se logra con una correa en el pecho para la frecuencia cardíaca. La frecuencia cardíaca se mide con un receptor de frecuencia cardíaca en combinación con una correa transmisora de la frecuencia cardíaca. Para una medición precisa de la frecuencia cardíaca es necesario que los electrodos de la correa transmisora estén ligeramente húmedos y que toquen constantemente la piel. Si los electrodos están demasiado secos o demasiado húmedos, la medición de la frecuencia cardíaca puede resultar menos precisa.



ADVERTENCIA

- Si usted tiene un marcapasos, consulte con un médico antes de utilizar una correa en el pecho para la frecuencia cardíaca.



PRECAUCIÓN

- Si hay varios dispositivos de medición de frecuencia cardíaca en proximidad, asegúrese de que la distancia entre ellos sea de al menos 2 metros.
- Si sólo hay un receptor de frecuencia cardíaca y varios transmisores, asegúrese de que sólo una persona con un transmisor se encuentre en la zona de transmisión.



NOTA

- No utilice una correa en el pecho para la frecuencia cardíaca en combinación con sensores de pulsaciones de mano.
- Lleve siempre la correa en el pecho para la frecuencia cardíaca debajo de la ropa, en contacto directo con la piel. No lleve la correa en el pecho para la frecuencia cardíaca por encima de la ropa. Si lleva la correa en el pecho para la frecuencia cardíaca por encima de la ropa, no habrá señal.
- Si define un límite de frecuencia cardíaca para su sesión de ejercicio, cada vez que éste se supere sonará una alarma.
- El transmisor transmite la frecuencia cardíaca a la consola hasta una distancia de 1,5 metro. Si los electrodos no están húmedos, la frecuencia cardíaca no aparece en la pantalla.
- Algunas fibras de la ropa (p. ej. poliéster, poliamida) generan electricidad estática, la cual puede impedir la medición precisa de la frecuencia cardíaca.

- Los teléfonos móviles, las televisiones y otros aparatos eléctricos generan un campo electromagnético que puede impedir la medición precisa de la frecuencia cardíaca.

Frecuencia cardíaca máxima (durante el entrenamiento)

alcanzar una persona de forma segura por la tensión del ejercicio. Se utiliza la siguiente fórmula para calcular la frecuencia cardíaca máxima media: $220 - \text{EDAD}$. La frecuencia cardíaca máxima varía según la persona.



ADVERTENCIA

- Asegúrese de no superar la frecuencia cardíaca máxima durante la sesión de ejercicio. Si usted se encuentra en un grupo de riesgo, consulte con un médico.

Principiante

50-60% de frecuencia cardíaca máxima

Adecuada para principiantes, personas que cuidan la línea, convalecientes y personas que no han hecho ejercicio en mucho tiempo. Haga ejercicio al menos tres veces a la semana, 30 minutos cada vez.

Avanzado

60-70% de frecuencia cardíaca máxima

Adecuada para personas que desean mejorar y mantener la forma física. Haga ejercicio al menos tres veces a la semana, 30 minutos cada vez.

Experto

70-80% de frecuencia cardíaca máxima

Adecuado para personas con muy buena forma física que están acostumbradas a sesiones de ejercicio de gran resistencia.

Uso

Ajuste de los pies de soporte

La máquina está equipada con 4 pies de soporte. Si la máquina no está estable, es posible ajustar los pies de soporte.

- Gire los pies de soporte tanto como sea necesario para estabilizar la máquina.
- Apriete las contratueras para bloquear los pies de soporte.



NOTA

- La máquina es más estable cuando todos los pies de soporte están totalmente girados hacia dentro. Por tanto, empiece a nivelar la máquina girando totalmente hacia dentro todos los pies de soporte, antes de girar hacia fuera el pie de soporte necesario para estabilizar la máquina.

Ajuste de la posición del sillín horizontal

La posición del sillín horizontal puede ajustarse situando el sillín en la posición deseada.

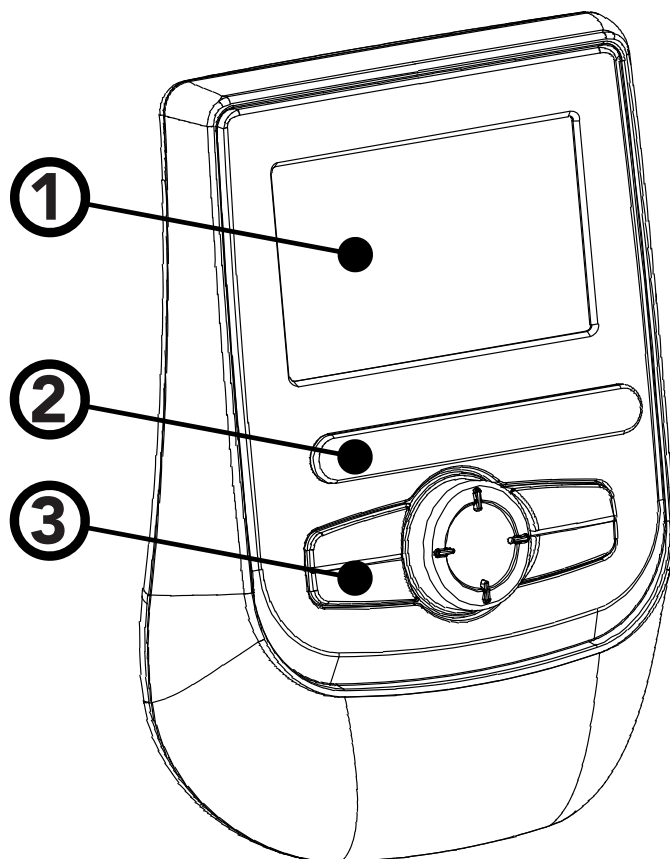
- Afloje el pomo de ajuste del sillín.
- Mueva el sillín a la posición deseada.
- Apriete el pomo de ajuste del sillín.

Ajuste de la resistencia

Para aumentar o disminuir la resistencia, gire la perilla de ajuste situada en la parte superior del tubo de soporte del manillar en el sentido de las agujas del reloj (dirección +) para aumentarla y en el sentido contrario (dirección -) para disminuirla.

La escala que aparece encima de la perilla (1-8) le permite buscar y reajustar un grado adecuado de resistencia.

Consola (fig F)



1. Pantalla
2. Soporte de tableta/libro
3. Botones



PRECAUCIÓN

- Mantenga la consola alejada de la luz solar directa.
- Seque la superficie de la consola cuando esté cubierta de gotas de sudor.
- No se apoye en la consola.

- Toque la pantalla únicamente con la punta del dedo. Asegúrese de no tocar la pantalla con las uñas ni objetos afilados.

**NOTA**

- La consola pasa al modo de espera activa cuando la máquina no se usa durante 4 minutos.

Explicación de los botones

Arriba (Marcar)

- Gire el selector en sentido horario para aumentar el valor.
- Rango de ajuste de HORA: 00:00~99:00 (Cada incremento es 1:00)
- Rango de ajuste CAL: 0~9990 (Cada incremento es 10)
- Rango de ajuste DIST: 0.00~99.50 (Cada incremento es 0.5)
- Rango de ajuste PULSO: 0-30~230 (Cada incremento es 1)

Abajo (Selector)

- Gire el selector en sentido anti-horario para reducir el valor.
- Rango de ajuste de HORA: 00:00~99:00 (Cada incremento es 1:00)
- Rango de ajuste CAL: 0~9990 (Cada incremento es 10)
- Rango de ajuste DIST: 0.00~99.50 (Cada incremento es 0.5)
- Rango de ajuste PULSO: 0-30~230 (Cada incremento es 1)

Mode/ Enter (Modo/ Intro)

- Elija cada función pulsando la tecla MODO/INTRO.
- Pulse y mantenga pulsada la tecla MODO/INTRO durante 2 segundos para reiniciar todas las funciones (la misma característica que la tecla de reinicio si se pulsa durante 2 segundos).

Reset (Reinicio)

- En el modo de ajustes, pulse la tecla REINICIO una vez para reiniciar las cifras de la función actual.
- Pulse y mantenga pulsada la tecla REINICIO durante 2 segundos para reiniciar todas las cifras de la función.

Recovery (Recuperación)

- Una vez que la consola detecta la señal del pulso, pulse la tecla RECUPERAR para entrar en el modo de recuperación y de esta manera monitorizar la capacidad de recuperación del ritmo cardíaco.

Body Fat (Grasa corporal)

- Compruebe su porcentaje de grasa corporal y su IMC (índice de masa corporal).

Total reset (Reinicio total)

La consola se reiniciará y se activará el modo "Ajustes del perfil de usuario".

Explicación de las funciones de pantalla

Scan (Explorar)

- En el modo EXPLORAR, pulse la tecla MODO/INTRO para elegir las funciones.
- Se explora automáticamente en cada uno de los modos en secuencia cada 6 segundos.
- La secuencia de presentación en pantalla al pulsar la tecla MODO/INTRO es: » DIST » CAL » PULSO. » RPM:VELOCIDAD

Speed (Velocidad)

- Muestra la velocidad actual del entrenamiento.
- Rango 0.0 ~ 99.9
- Si no se transmite ninguna señal al monitor durante 4 segundos de duración de un ejercicio, VELOCIDAD mostrará "0.0"

RPM

- Muestra las rotaciones por minuto
- Rango 0 ~ 999
- Si no se transmite ninguna señal al monitor durante 4 segundos de duración de un ejercicio, RPM mostrará "0"

Time (Tiempo)

- Si no se establece el valor objetivo, se continuará contabilizándose el tiempo.
- Al establecer el valor objetivo, se restará el tiempo del valor objetivo de tiempo hasta 0 con un sonido de alarma o un destello. El tiempo continuará contabilizándose si no se detiene el entrenamiento una vez alcanzado el objetivo.
- Si no se transmite ninguna señal al monitor durante 4 segundos de duración del ejercicio, el tiempo se DETENDRÁ
- Rango 0:00 ~ 99:59

Distance (Distancia)

- Si no se establece el valor objetivo, se continuará contabilizándose la distancia.
- Al establecer el valor objetivo, se restará la distancia del valor objetivo de distancia hasta 0 con un sonido de alarma o un destello. La distancia continuará contabilizándose si no se detiene el entrenamiento una vez alcanzado el objetivo.
- Rango 0.00 ~ 99.99

Calories (Calorías)

- Si no se establece el valor objetivo, se continuará contabilizándose calorías.
- Al establecer el valor objetivo, se restarán calorías del valor objetivo de calorías hasta 0 con un sonido de alarma o un destello.
Las calorías continuarán contabilizándose si no se detiene el entrenamiento una vez alcanzado el objetivo.
- Rango 0 ~ 9999



NOTA

- Estos datos son una guía aproximada para la comparación de distintas sesiones de ejercicios que no pueden utilizarse en tratamientos médicos

Pulse (Pulso)

- El pulso actual se presentará en pantalla después de 6 segundos de haber sido detectado por la consola.
- Si no hay ninguna señal de pulso durante 6 segundos, la consola mostrará "P".
- La alarma de pulso sonará cuando el pulso actual sea superior al pulso objetivo.
- Rango 0 ~ 230 PPM

Funcionamiento

Encendido

- Pulse cualquier tecla para encender la consola cuando se está en el modo dormir
- Empiece a pedalear para encender la consola cuando se está en el modo dormir.



La pantalla LCD mostrará todos los segmentos (fig. F-01) y continuará con el ejercicio que se detuvo la última vez.

Apagado

Si no se transmite ninguna señal al monitor durante 4 minutos, el monitor entrará en el modo DORMIR automáticamente.

Ajustes del perfil de usuario

- Utilice las teclas ARRIBA o ABAJO (Selector) para establecer el GÉNERO, ALTURA, PESO y EDAD.
- Pulse el botón MODO/INTRO para confirmar.

Ajustes del ejercicio

- Pulse la tecla MODO/INTRO para seleccionar la función de HORA, DISTANCIA, CALORÍAS y PULSO. Pulse la tecla ARRIBA o ABAJO (SELECTOR) para acceder a los ajustes y pulse la tecla MODO/INTRO para confirmar.
- Por ejemplo al establecer la hora, cuando parpadea al valor de la hora puede utilizar las teclas ARRIBA y ABAJO (SELECTOR) para programar los números. Pulse la tecla MODO/INTRO para confirmar y pasar al siguiente ajuste. El ajuste de DISTANCIA, CALORÍAS y PULSO es el mismo que el ajuste de HORA.
- Una vez iniciado el ejercicio y la consola recibe la señal del ejercicio, los valores de VELOCIDAD/ RPM, HORA, DST y CAL empezarán a contabilizarse en la pantalla. Si se establece un objetivo para un valor específico, dicho valor iniciará su cuenta atrás hasta alcanzar el objetivo.

Recovery (Recuperación)

- La tecla de "RECOVERY" solo será válida si se detecta pulso.
- La HORA mostrará „0:60" (segundos) y contará hacia abajo hasta 0.
- El ordenador mostrará F1 a F6 una vez finalizada la cuenta atrás para probar el estado de recuperación del ritmo cardíaco. El usuario podrá encontrar el nivel de recuperación del ritmo cardíaco según la tabla siguiente.
- Pulse la tecla "RECOVERY" nuevamente para volver al principio.

F1	Extraordinario
F2	Excelente
F3	Bueno
F4	Justo
F5	Por debajo del promedio
F6	Deficiente

Body Fat (Grasa corporal)

- Pulse la tecla "BODY FAT" para iniciar la medida de la grasa corporal.
- Durante la medición, los usuarios tienen que mantener ambas manos sobre las empuñaduras. La pantalla LCD mostrará "-" "- -" "- - -" "- - - -" "- - - - -" durante 8 segundos hasta que el ordenador termine la medición.
- La pantalla LCD mostrará el IMC y el porcentaje de GRASA.



NOTA

- Se requiere un "Ajuste del perfil de usuario" correcto para llevar a cabo esta función.

Códigos de error del modo Grasa Corporal

- *E-1
No se detecta señal de entrada de ritmo cardíaco.
- *E-4
Ocurre cuando el porcentaje de GRASA y el IMC dan valores por debajo de 0 o superiores a 50.

Solución de problemas:

- Si la pantalla LCD está oscurecida, significa que las pilas deben cambiarse.
- Si no hay señal al pedalear, por favor compruebe que el cable esté bien conectado.



NOTA

- Al detener el entrenamiento durante 4 minutos, la pantalla principal se apagará.
- Si el ordenador presenta información anormal en pantalla, por favor vuelva a instalar las pilas y prueba de nuevo.

Limpeza y mantenimiento

La máquina no requiere un mantenimiento especial. No es necesario recalibrar la máquina cuando ésta se ha montado, utilizado y mantenido según las instrucciones.



ADVERTENCIA

- Antes de la limpieza y el mantenimiento, retire el adaptador.
- No utilice disolventes para limpiar la máquina.
- Limpie la máquina con un paño suave y absorbente tras cada uso.
- Compruebe periódicamente que todos los tornillos y las tuercas estén apretados.
- En caso necesario, lubrique las juntas.

Sustitución de las pilas (Fig E)

La consola está equipada con 2 pilas AA en la parte posterior de la misma.

- Retire la cubierta.
- Retire las pilas usadas.
- Inserte pilas nuevas. Asegúrese de que coincidan las marcas de polaridad (+) y (-).
- Monte la cubierta.

Defectos y fallos

A pesar del control de calidad continuo, la máquina puede presentar defectos y fallos ebidos a piezas individuales. En la mayoría de los casos, será suficiente sustituir la pieza defectuosa.

- Si la máquina no funciona correctamente, contacte inmediatamente con su proveedor.
- Facilite al proveedor el número de modelo y el número de serie de la máquina. Indique la naturaleza del problema, las condiciones de uso y la fecha de compra.

Transporte y almacenamiento



ADVERTENCIA

- Antes del transporte y el almacenamiento, retire el adaptador.
- Al menos dos personas deben transportar y mover la máquina.
- Hay que colocarse de pie delante de la máquina en cada lado y agarrar bien por los manillares. Levante la parte delantera de la máquina para poder levantar la parte trasera sobre las ruedas. Mueva la máquina y bájela con cuidado. Coloque la máquina sobre una base protectora para evitar daños en la superficie del suelo.
- Mueva la máquina con cuidado sobre superficies irregulares. No suba la máquina por las escaleras usando las ruedas; transporte la máquina por los manillares.
- Almacene la máquina en un lugar seco con la menor variación de temperatura posible.

Información adicional

Eliminación de embalajes

Las pautas gubernamentales exigen reducir la cantidad de residuos que se depositan en los basureros. Por este motivo, le rogamos que deseche los embalajes de manera responsable en centros públicos de reciclaje.

Eliminación al final de la vida útil

Desde Tunturi esperamos que disfrute de su equipo de entrenamiento durante muchos años. No obstante, llegará un momento en que éste llegue al final de su vida útil. Conforme a la Directiva WEEE (relativa a la gestión de residuos procedentes de equipos eléctricos y electrónicos) le corresponde a usted la responsabilidad de desechar adecuadamente su equipo de entrenamiento en un centro público autorizado de recogida.

Datos técnicos

Parámetro	Unidad de medición	Valor
Longitud	cm inch	168 66
Anchura	cm inch	64 25
Altura	cm inch	122 48
Peso	kg lbs	51.4 113.1
Peso máx. del usuario	kg lbs	120 265
Tamaño de pila		AA

Garantía

Garantía del propietario del equipo Tunturi

Condiciones de la garantía

El consumidor tiene derecho a la aplicación de los derechos legales específicos de la legislación nacional concernientes al comercio de bienes de consumo y esta garantía no limita dichos derechos. La Garantía del Propietario sólo estará en vigor cuando el equipo se utilice en el entorno de uso permitido por Tunturi New Fitness BV para dicho equipo de ejercicio. En las instrucciones de uso de cada aparato se especifica el entorno de uso permitido para el mismo.

Términos de la garantía

Los términos de la garantía comenzarán el día de la compra. Los términos de garantía pueden variar por país, así que consulte con su distribuidor local para ver cuáles son los términos de la garantía.

Cobertura de la garantía

Tunturi New Fitness BV o los distribuidores Tunturi no responderán en ninguna circunstancia a causa de esta garantía por los eventuales daños indirectos, secundarios, resultantes o especiales de ningún tipo derivados del uso o la imposibilidad de uso de este equipo.

Restricciones a la garantía

La garantía cubre los fallos debidos a la fabricación y los materiales en un equipo de ejercicio que esté en su ensambladura original. La garantía cubre solamente defectos que se manifiesten durante un uso normal, conforme a las instrucciones dadas en la guía suministrada con el equipo, a condición de que se hayan observado las instrucciones de montaje, mantenimiento y utilización proporcionadas por Tunturi. Tunturi New Fitness BV y los distribuidores Tunturi no pueden responder de fallos ocasionados por circunstancias ajenas a su control. La presente garantía sólo es válida para el comprador original del equipo de ejercicio y tiene vigencia solamente en los países en los que Tunturi New Fitness BV cuenta con un importador autorizado. La garantía no cubre los equipos de ejercicio o sus partes que hayan sido modificados sin el consentimiento previo de Tunturi New Fitness BV. La garantía no cubre fallos derivados del desgaste normal, de un uso indebido, de su uso en condiciones para las que el equipo no ha sido concebido, corrosión o daños sufridos durante la carga o el transporte.

La garantía no cubre los sonidos o ruidos emitidos durante el uso que no impidan de forma sustancial la utilización del equipo y que no estén provocados por un fallo del mismo

La garantía no cubre las actividades de mantenimiento tales como limpieza, lubricación o el ajuste normal de las piezas, ni los procedimientos de instalación que el cliente pueda realizar por sí mismo y que no requieran un desmontaje / montaje especial del equipo de ejercicio. Estos procedimientos son, por ejemplo, el cambio de contadores, pedales o de otras piezas simples similares. No se reembolsarán las reparaciones realizadas durante el periodo de garantía por agentes no autorizados por Tunturi. Si no se siguen adecuadamente las instrucciones dadas en el Manual del Propietario se invalidará la garantía del producto.

Declaración del fabricante

Tunturi New Fitness BV declara que el producto es conforme con las siguientes normas y directivas: EN 957 (HB), 89/336/CEE. Por tanto, el producto dispone de marcado CE.

01-2017

Tunturi New Fitness BV
Purmerweg 1
1311 XE Almere
The Netherlands

Descargo de responsabilidad

© 2017 Tunturi New Fitness BV
Reservados todos los derechos.

El producto y el manual están sujetos a cambios. Las especificaciones pueden cambiarse sin previo aviso.

Index

Liggcykel	56
Säkerhetsvarningar	56
Beskrivning (fig. A)	57
Förpackningens innehåll (fig. B & C)	57
Montering (fig. D)	57
Träning	57
Övning Instruktioner	57
Hjärtfrekvens	58
Användning	59
Panel (fig F)	59
Förklaring av knappar	59
Förklaring av displayfunktioner	60
Manövrering	61
Rengöring och underhåll	62
Byta ut batterier (Fig E)	62
Fel och funktionsstörningar	62
Transport och lagring	62
Ytterligare information	62
Teknisk information	63
Garanti	63
Försäkran från tillverkaren	63
Friskrivning	63

På svenska

Denna handbok är en översättning av den engelska texten. Vi förbehåller oss rätten till eventuella översättningsfel. Den engelska originaltexten råder.

Liggcykel

Välkommen till Tunturi Fitness värld!

Tack för att du köpte denna utrustning från Tunturi. Tunturi erbjuder ett stort utbud av professionell träningsutrustning, exempelvis crosstrainers, löpband, träningscyklar och roddmaskiner. Utrustning från Tunturi passar hela familjen, oavsett träningsnivå. Mer information finns på vår webbplats, www.tunturi.com

Säkerhetsvarningar



VARNING

Läs säkerhetsvarningarna och instruktionerna. Om inte säkerhetsvarningarna och instruktionerna följs kan det medföra skador på personer eller utrustningen. Behåll säkerhetsvarningarna och instruktionerna för framtida bruk.



VARNING

System för övervakning av hjärtfrekvensen är inte alltid exakta. Överträning kan medföra allvarlig skada eller död. Sluta omedelbart att träna om du känner dig svag.

- Utrustningen är endast anpassad för hemmabruk. Utrustningen är inte anpassad
- Maximal användning är begränsad till 3 timmar per dag..
- Om utrustningen används av barn eller personer med fysiska, sensoriska, mentala eller motoriska handikapp, eller som saknar erfarenhet och kunskap, kan detta medföra risker. Personer som är ansvariga för deras säkerhet måste ge tydliga instruktioner, eller övervaka användningen av utrustningen.
- Innan du påbörjar din träning, uppsök en läkare som kan kontrollera din hälsa.
- Om du upplever illamående, yrsel eller andra onormala symptom, avsluta genast din träning och kontakta en läkare.
- Börja varje träningspass med att värma upp och avsluta varje träningspass med nedvarning för att undvika muskelsmärter och sträckningar. Kom ihåg att stretcha i slutet av träningen.
- Utrustningen är endast anpassad för användning inomhus. Utrustningen är inte anpassad för användning utomhus.
- Använd endast utrustningen i miljöer med god ventilation. Använd inte utrustningen i dragiga miljöer för att undvika att bli förkyld.
- Använd endast utrustningen i miljöer med temperatur mellan 10 °C och 35 °C. Förvara endast utrustningen i miljöer med temperatur mellan 5 °C och 45 °C.
- Använd inte och förvara inte utrustningen i fuktig miljö. Luftfuktigheten får aldrig överstiga 80%.
- Använd endast utrustningen för dess avsedda ändamål. Använd inte utrustningen för andra ändamål än de som beskrivs i handboken.
- Använd inte den här utrustningen om någon del är trasig eller skadad. Om någon del är trasig eller skadad, kontakta din återförsäljare.
- Håll undan händer, fötter och andra kroppsdelar från de rörliga delarna.
- Håll undan håret från de rörliga delarna.
- Bär passande kläder och skor.
- Håll undan kläder, smycken och andra föremål från de rörliga delarna.

- Låt bara en person åt gången använda utrustningen. Utrustningen får inte användas av personer som väger mer än 120 kg (265 lbs).
- Öppna inte utrustningen utan att kontakta din återförsäljare.

Beskrivning (fig. A)

Din liggcykel är en stationär träningsmaskin som används för att simulera cykling utan att orsaka kraftigt tryck på lederna.

Förpackningens innehåll (fig. B & C)

- Förpackningen innehåller delarna som visas i fig. B.
- Förpackningen innehåller de fästdon som visas i fig. C. Se avsnittet "Beskrivning".



ANMÄRKNING

- Om någon del saknas, kontakta din återförsäljare.

Montering (fig. D)



VARNING

- Montera utrustningen i angiven ordning.
- Var två om att bära och förflytta utrustningen.



OBS.

- Placera utrustningen på en stabil och jämn yta.
- Placera utrustningen på en skyddande grund för att förhindra att golvet skadas.
- Lämna åtminstone 100 cm fritt runt utrustningen.

- Illustrationerna visar det korrekta sättet att montera utrustningen.



ANMÄRKNING

- Spara verktygen som följer med denna produkt när monteringen är klar så att du kan använda dem för framtida servicearbeten.

Träning

Träningen måste vara lagom lätt, men hålla på länge. Aerobisk träning är till för att förbättra kroppens maximala syreupptag, vilket förbättrar uthålligheten och konditionen. Du ska svettas, men du ska inte bli

andfådd under träningen. För att uppnå och behålla en grundkondition, träna åtminstone tre gånger i veckan, 30 minuter åt gången. Öka antalet träningspass för att förbättra din kondition. Det är bra att kombinera regelbunden träning med hälsosam kost. En person som har bestämt sig för att banta bör träna dagligen, 30 minuter eller mindre till en början och sedan öka den dagliga träningstiden till en timme. Börja din träning i låg hastighet och med lågt motstånd för att förhindra att hjärtkärlsystemet utsätts för kraftig belastning. När konditionen förbättras, kan hastigheten och motståndet ökas gradvis. Din tränings effektivitet kan mätas genom att kontrollera din hjärtfrekvens och din puls.

Övning Instruktioner

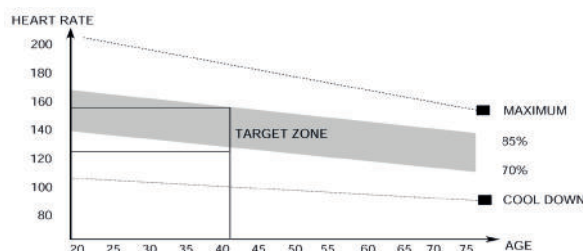
Användningen av ditt träningsredskap kommer att ge dig många fördelar; det kommer att förbättra din fysiska kondition, tona musklerna och tillsammans med en kalorikontrollerad diet hjälpa dig att gå ned i vikt.

Uppvärmningsfasen

Denna fas får blodet att börja pumpa runt i kroppen och förbereder musklerna på aktivitet. Den minskar även risken för kramp och muskelskada. Det är tillrådligt att göra några stretchövningar som visas nedan. Varje stretchövning ska hållas i ungefär 30 sekunder. Tvinga eller tryck inte in musklerna i en stretchövning. Om det gör ont, SLUTA

Träningsfasen

Detta är fasen där du jobbar. Efter regelbunden användning, kommer musklerna i dina ben att bli mer flexibla. I denna fas är det mycket viktigt att bibehålla ett jämnt tempo från början till slut. Ansträngningsnivån ska vara tillräcklig för att höja din puls till målzonen som visas i nedanstående figur



Denna fas bör pågå i minst 12 minuter, även om de flesta börjar med ungefär 15-20 minuter.

Nedvarningsfasen

Under denna fas får ditt kardiovaskulära system och dina muskler varva ned. Den är en upprepning av uppvärmningsövningen, t.ex. minska ditt tempo, fortsätt i ca 5 minuter. Stretchövningarna ska nu upprepas. Kom ihåg att inte tvinga eller trycka in musklerna i stretchövningen.

När du blir mer vältränad, kan du träna längre och hårdare. Vi rekommenderar att träna minst tre gånger i veckan, och, om möjligt, fördela dina träningstillfällen jämnt under hela veckan.

Muskeltoning

För att tona musklerna när du använder träningsredskapet, måste du ställa in en ganska hög belastning. Detta belastar benmusklerna mer och kan innebära att du inte kan träna så länge som du vill. Om du även försöker förbättra din kondition, måste du ändra ditt träningsprogram. Du bör träna som vanligt under uppvärmnings- och nedvarvningsfaserna, men mot slutet av träningsfasen kan du öka belastningen så att dina ben får jobba hårdare. Du måste minska hastigheten för att hålla pulsen i målzonen.

Viktminskning

Den viktigaste faktorn här är hur mycket du anstränger dig. Ju hårdare och längre du tränar, desto fler kalorier bränner du. Detta är i princip detsamma som om du tränade för att förbättra din kondition, skillnaden är målet.

Hjärtfrekvens

Pulsmätning (handpulssensorer)

Pulsen mäts av sensorer i handtagen när användaren vidrör båda sensorerna samtidigt. Bäst pulsmätning fås när skinnet är en aning fuktigt och i ständig kontakt med handpulssensorerna. Om skinnet är för torrt eller för fuktigt kan pulsmätningen bli mindre exakt.



ANMÄRKNING

- Använd inte handpulssensorer tillsammans med ett pulsbalte.
- Om du har ställt in en begränsning av hjärtfrekvensen för din träning, kommer ett larm att ljuda när den överskrids.

Hjärtfrekvensmätning (pulsbalte)

Den mest exakta mätningen av hjärtfrekvensen uppnås med ett pulsbalte. Hjärtfrekvensen mäts av en hjärtfrekvensmottagare i kombination med ett pulsbalte med sändare. Korrekt pulsmätning kräver att elektroderna på sändarbaltet är en aning fuktiga och i ständig kontakt med skinnet. Om elektroderna är för torra eller för fuktiga kan pulsmätningen bli mindre exakt.



VARNING

- Kontakta en läkare innan du använder ett pulsbalte om du har pacemaker.



OBS.

- Om det finns flera enheter för hjärtfrekvensmätning bredvid arandra, kontrollera att avståndet mellan dem är minst 2 meter.

- Om det bara finns en hjärtfrekvensmottagare och flera hjärtfrekvenssändare, kontrollera att bara en person med sändare är inom mottagningsområdet.



ANMÄRKNING

- Använd inte ett pulsbalte tillsammans med handpulssensorer.
- Bär alltid pulsbaltet under dina kläder, i direktkontakt med huden. Bär inte pulsbaltet utanpå kläderna. Om du bär pulsbaltet utanpå kläderna kommer det inte att bli någon signal.
- Om du har ställt in en begränsning av hjärtfrekvensen för din träning, kommer ett larm att ljuda när den överskrids.
- Sändaren sänder hjärtfrekvensen till panelen upp till ett avstånd på 1,5 meter. Om elektroderna inte är fuktiga, kommer inte hjärtfrekvensen att visas på displayen.
- Vissa klädfibrer (t.ex. polyester eller polyamid) skapar statisk elektricitet som kan förhindra en korrekt mätning av hjärtfrekvensen.
- Mobiltelefoner, tv-apparater och andra elektriska apparater skapar ett elektromagnetiskt fält som kan förhindra en korrekt mätning av hjärtfrekvensen.

Maximal hjärtfrekvens (under träning)

Den maximala hjärtfrekvensen är den högsta hjärtfrekvens en person säkert kan få vid träning. Följande formel används för att beräkna den genomsnittliga maximala hjärtfrekvensen: $220 - \text{ÅLDER}$. Den maximala hjärtfrekvensen varierar från person till person.



VARNING

- Kontrollera att du inte överskrider din maximala hjärtfrekvensen under din träning. Kontakta en läkare om du tillhör en riskgrupp.

Nybörjarnivå 50-60% av den maximala hjärtfrekvensen

Passar nybörjare, viktväktare, konvalescenter och personer som inte har tränat på länge. Träna åtminstone tre gånger i veckan, 30 minuter åt gången.

Avanceradnivå 60-70% av den maximala hjärtfrekvensen

Passar personer som vill förbättra och underhålla konditionen. Träna åtminstone tre gånger i veckan, 30 minuter åt gången.

Expert 70-80% av den maximala hjärtfrekvensen

Passar de mest vältränade, som är vana vid långa och tunga träningspass.

Användning

Justera stödfötterna

Utrustningen är utrustad med 4 stödfötter. Om utrustningen inte är stabil, kan stödfötterna justeras..

- Vrid stödfötterna för att placera utrustningen i en stabil position.
- Vrid åt låsmutterarna för att låsa stödfötterna.



ANMÄRKNING

Maskinen är i maximalt stabilt läge när alla stödfötter vrids helt inåt. örja därför att placera maskinen helt plant genom att vrida alla stödfötter helt inåt, innan du vrider ut de nödvändiga stödfötterna för att stabilisera maskinen.

Ställa in horisontellt sadelläge

Det horisontella sadelläget kan ställas in genom att placera sadeln i önskat läge.

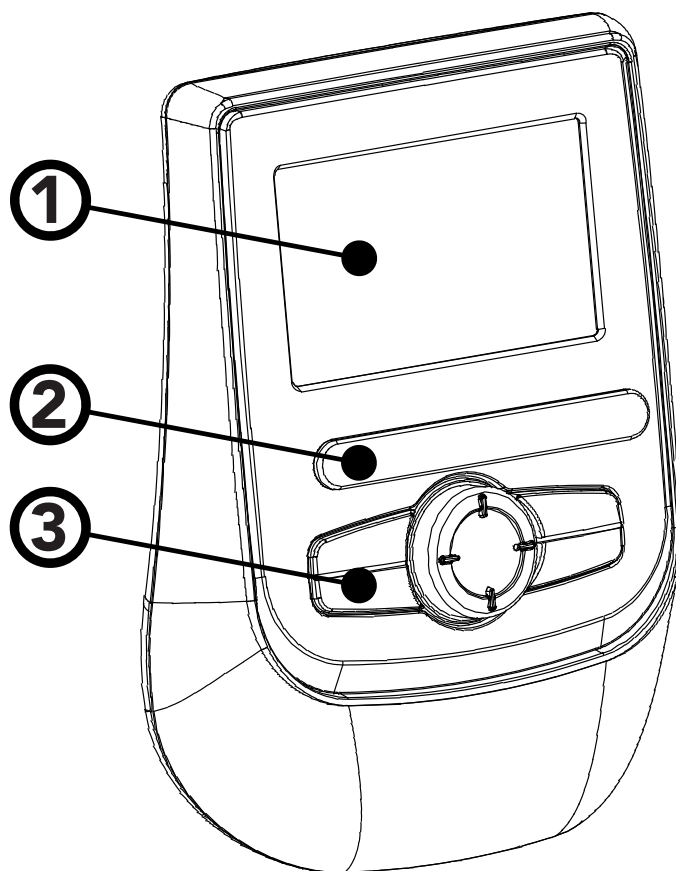
- Lossa vredet för justering av sadeln.
- Flytta sadeln till önskat läge.
- Drag åt vredet för justering av sadeln.

Justering af motståndet

Du kan öka eller minska motståndet med hjälp av reglaget upptill på handstödet. Om du vrider medsols (+) ökar motståndet och om du vrider motsols (-) minskar motståndet.

Med hjälp av skalan (1-8) är det lätt att ställa in önskat motstånd.

Panel (fig F)



1. Skärm
2. Bok/ tablett rack
3. Knappar



OBS

- Skydda panelen från direkt solljus.
- Torka av panelens yta när den är täckt av svett droppar.
- Luta dig inte mot panelen.
- Vidrör endast displayen med din fingertopp. Var noga med att inte dina naglar eller vassa föremål vidrör displayen.



ANMÄRKNING

- Panelen övergår till viloläge när utrustningen inte har använts på 4 minuter.

Förklaring av knappar

UP (Dail)

- Vrid reglaget medsols för att öka värdet.
- Inställningsområde TIME: 00:00~99:00 (steg om 1:00)
- Inställningsområde CAL: 0~9990 (steg om 10)

- Inställningsområde DIST: 0.00~99.50 (steg om 0.5)
- Inställningsområde PULSE: 0-30~230 (steg om 1)

Down (Dail)

- Vrid reglaget moturs för att minska värdet.
- Inställningsområde TIME: 00:00~99:00 (steg om 1:00)
- Inställningsområde CAL: 0~9990 (steg om 10)
- Inställningsområde DIST: 0.00~99.50 (steg om 0.5)
- Inställningsområde PULSE: 0-30~230 (steg om 1)

Mode/Enter

- Välj funktion genom att trycka på knappen MODE/ENTER.
- Tryck och håll knappen MODE/ENTER nere i 2 sekunder för att återställa alla funktioner (samma egenskap som knappen Reset om man trycker på den i 2 sekunder).

Reset

- I inställningsläget trycker du på knappen RESET en gång för att återställa aktuella funktionssiffror.
- Tryck på knappen RESET och håll den intryckt i 2 sekunder för att återställa alla funktionssiffror.

Recovery

- När panelen detekterar en pulssignal trycker du på knappen RECOVERY för att gå till läget RECOVERY för att övervaka hjärtfrekvensens återhämtningsförmåga

Body Fat

- Testa kroppsfett-% och BMI.

Total reset

- Panelen startar om och går till läget "User Profile setting".

Förklaring av displayfunktioner

Scan

- I läget SCAN trycker du på knappen MODE/ENTER för att välja funktioner.
- Skanna automatiskt igenom varje läge i sekvens var 6:e sekund.
- Ordningföljd i displayen om man trycker på knappen MODE/ENTER: TIME » DIST » CAL » PULSE » RPM/SPEED

Speed

- Visar aktuell träningshastighet.
- Område 0.0 ~ 99.9
- Om ingen signal har överförts till monitorn inom 4 sekunder under träningen visar SPEED "0.0"

RPM

- Visar varv per minut Område 0 ~ 999 Om ingen signal har överförts till monitorn inom 4 sekunder under träningen visar RPM "0"

Time (Tid)

- Om målvärdet inte ställs in kommer tiden att räknas nerifrån och upp.
- Om målvärdet ställs in kommer tiden att räknas ner från din måltid till 0 och ett larm ljuda eller blinka. Tiden kommer att fortsätta räkna nerifrån och upp om träningen inte avslutas efter att målet har nåtts.
- Om ingen signal har överförts till monitorn inom 4 sekunder under träningen kommer tiden att STOPPA
- Område 0:00~99:59

Distance

- Om målvärdet inte ställs in kommer avståndet att räknas nerifrån och upp.
- Om målvärdet ställs in kommer avståndet att räknas ner från ditt målavstånd till 0 och ett larm ljuda eller blinka. Avståndet kommer att fortsätta räkna nerifrån och upp om träningen inte avslutas efter att målet har nåtts.
- Område 0.00~99.99

Calories

- Om målvärdet inte ställs in kommer kalorierna att räknas nerifrån och upp.
- Om målvärdet ställs in kommer kalorierna att räknas ner från ditt målkalorivärde till 0 och ett larm ljuda eller blinka. Kalorier kommer att fortsätta räknas nerifrån och upp om träningen inte avslutas efter att målet har nåtts.
- Område 0~9999



OBS

- Dessa data är en ungefärligt värde för att kunna jämföra olika övningssessioner och kan inte användas inom medicinsk behandling

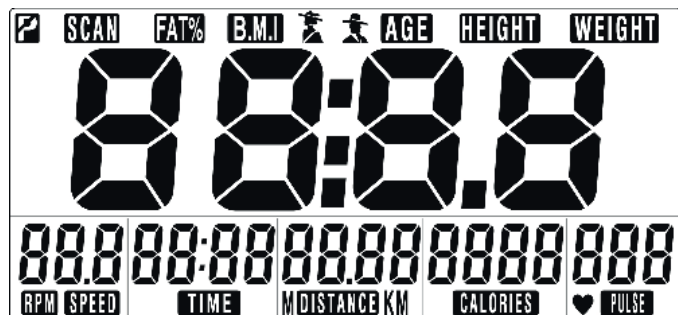
Pulse

- Aktuell puls visas efter 6 sekunder efter att den detekterats av panelen.
- Utan pulssignal i 6 sekunder visar konsolen "P".
- Pulslarmet ljuder när aktuell puls ligger över målpulsen.
- Område 0-30~230 BPM

Manövrering

Ström på

- Tryck på valfri knapp för att sätta på strömmen om enheten befinner sig i läget SLEEP.
- Börja trampa för att sätta på panelen om den befinner sig i viloläget.



LCD-displayen visar alla segment (fig. F-01)

Ström av

Om ingen signal har överförts till monitorn inom 4 minuter kommer monitorn att gå till läget SLEEP automatiskt.

Ställa in användarprofil

- Använd UP eller DOWN (Dial) för att ställa in SEX, HEIGHT, WEIGHT och AGE.
- Tryck på MODE/ENTER för att bekräfta.

Ställa in träning

- Tryck på knappen MODE/ENTER för att välja funktion TIME, DISTANCE, CALORIES och PULSE. Använd UP eller DOWN (DIAL) för att ställa in och tryck på MODE/ENTER för att bekräfta.
- För att t.ex. ställa in tid kan du när tidsvärdet blinkar använda UP och DOWN (DIAL) för att justera siffran. Tryck på knappen MODE/ENTER för att bekräfta och gå till nästa inställning. Inställningen av DISTANCE, CALORIES och PULS sker på samma sätt som för TIME.
- När träningen börjar och panelen tar emot träningssignalen börjar värdet för SPEED/RPM, TIME, DST och CAL räkna nerifrån och upp på displayen. Om målet ställs in för ett specifikt värde kommer värdet att räkna uppifrån och ner tills målet nås.

Recovery

- Knappen RECOVERY fungerar endast om puls detekteras.
- TIME visar "0:60" (sekunder) och räknar ner till 0.
- Datorn visar F1 till F6, efter nedräkningen för att testa hjärtfrekvensens återhämtningsstatus. Användaren hittar hjärtfrekvensens återhämtningsnivå baserad på tabellen nedan.
- Tryck på knappen RECOVERY för att gå till början.

F1	Enastående
F2	Utmärkt
F3	Bra
F4	Ganska bra
F5	Under genomsnittet
F6	Dålig

Body Fat

- Tryck på knappen BODY FAT för att starta mätningen av kroppsfett.
- Under mätningen måste användaren hålla båda händerna på handtagen. LCD-display "-" "- -" "- - -" "- - - -" i 8 sekunder tills datorn slutar mäta.
- LCD:n visar BMI och FAT %



OBS

- Korrekt "User Profile Settings" krävs för denna funktion.

Felkoder för läget Kroppsfett

- *E-1
Ingen inmatning av hjärtfrekvens har detekterats.
- *E-4
Förekommer när FAT% och BMI-resultatet ligger under 5 eller över 50.

Felsökning:

- Om LCD-displayen lyser svagt betyder det att batteriet måste bytas ut.
- Om det inte kommer någon signal när du trampar måste du kontrollera om kabeln sitter i riktigt.



OBS!

Om träningen stoppas i 4 minuter slocknar huvudskärmen.

- Om datorn uppvisar onormala värden, sätt i batteriet på nytt och försök igen.

Rengöring och underhåll

Utrustningen kräver inte något särskilt underhåll. Utrustningen kräver inte omkalibrering när den monteras, används eller servas i enlighet med instruktionerna.



VARNING

- Innan rengöring och underhåll, avlägsna adaptorn.
- Använd inte lösningsmedel för att rengöra utrustningen.
- Rengör utrustningen med en mjuk och absorberande trasa efter varje användning.
- Kontrollera regelbundet att alla skruvar och muttrar är åtdragna.
- Smörj vid behov.

Byta ut batterier (Fig E)

Panelen är utrustad med 2 AA-batterier på panelens baksida.

- Avlägsna luckan.
- Avlägsna de gamla batterierna.
- Sätt i de nya batterierna. Försäkra dig om att batterierna är rätt placerade mot (+) och (-) polerna.
- Montera luckan.

Fel och funktionsstörningar

Trots ständig kvalitetskontroller, kan fel och funktionsstörningar inträffa som orsakas av enstaka delar. I de flesta fallen räcker det med att byta ut den felaktiga delen.

- Om utrustningen inte fungerar korrekt, kontakta omedelbart återförsäljaren.
- Lämna utrustningens modellnummer och serienummer till återförsäljaren. Ange problemets art, förhållanden vid användning och inköpsdatum.

Transport och lagring



VARNING

- Innan transport och förvaring, avlägsna adaptorn.
- Var två om att bära och förflytta utrustningen.
- Stå framför utrustningen på vardera sidan och ta ett fast grepp i handtagen. Lyft utrustningens framsida så att baksidan lyfts på hjulen. Förflytta utrustningen och sätt ner den försiktigt. Placera utrustningen på en skyddande grund för att förhindra att golvet skadas.
- Förflytta utrustningen försiktigt över ojämna ytor. Förflytta inte utrustningen till övervåningen med hjulen, utan bär utrustningen med handtagen.
- Förvara utrustningen på en torr plats med så liten temperaturvariation som möjligt.

Ytterligare information

Bortskaffande av förpackning

Riktlinjer från myndigheter uppmanar att vi minskar mängden avfall som placeras i deponier. Vi ber dig därför att bortskaffa allt förpackningsavfall på ett ansvarsfullt sätt på allmänna återvinningscentraler.

Bortskaffande av uttjänt redskap

Vi på Tunturi hoppas att du får många års trevlig användning av ditt träningsredskap. Men det kommer en tid när ditt träningsredskap är uttjänt. Enligt den europeiska WEEE-lagstiftningen, ansvarar du för korrekt bortskaffande av ditt träningsredskap på en allmän återvinningsanläggning.

Teknisk information

Parameter	Måttenhet	Värde
Längd	cm inch	168 66
Bredd	cm inch	64 25
Höjd	cm inch	122 48
Vikt	kg lbs	51.4 113.1
Max användarvikt	kg lbs	120 265
Batteristorlek		AA

Garanti

Tunturis ágargarantitunt

Garantivillkor

Konsumenten har rätt att tillämpa de nationellt lagstadgade rättigheterna gällande konsumentvaror och denna garanti begränsar inte dessa rättigheter. Ägargarantin är giltig endast om Tunturis träningsredskap används i de miljöer som tillåts enligt Tunturi. Vilka miljöer som är tillåtna står i träningsredskapets bruksanvisning.

Garantivillkor

Garantivillkoren börjar att gälla från inköpsdatumet. Garantivillkoren kan variera mellan olika länder. Kontakta en lokal återförsäljare om garantivillkoren.

Garantins omfattning

Oavsett omständigheter, ansvarar inte Tunturi New Fitness BV eller Tunturis återförsäljare för uppkomna personskador som påverkar köparen, och som innebär inkomstförlust eller andra ekonomiska följdverkningar.

Gegränsningar i garantin

Garantin gäller för arbets- och materialfel, förutsatt att redskapet är i originalmonterat skick. Garantin gäller endast fel som uppstår vid normalt bruk och då den använts enligt Tunturis instruktioner gällande montering, skötsel och användning. Tunturi New Fitness BV och Tunturis återförsäljare ansvarar ej för fel som uppkommer utanför deras kontroll.

Garantin gäller endast redskapets ursprungliga ägare och är gällande endast i de länder där det finns en godkänd Tunturi New Fitness BV återförsäljare. Garantin gäller ej för redskap eller delar som har ändrats utan Tunturi New Fitness BV:s godkännande. Garantin gäller ej för fel som beror på normalt slitage, felaktig användning, användning i förhållanden som inte är avsett för redskapet, korrosion eller lastnings- och transportskador.

Garantin täcker inte ljud som uppstår under användning såvida dessa inte väsentligt hindrar utrustningens användning eller har orsakats av ett fel i utrustningen. Garantin gäller inte för underhållsarbete, som rengöring, smörjning eller normal kontroll av komponenterna och inte heller för monteringsarbete som kunden själv kan göra och som inte kräver att redskapet plockas isär/sätts ihop. Det gäller till exempel byte av mätare, trampor eller andra motsvarande enkla delar. Garantireparationer utförda av andra än en godkänd Tunturi-representant, ersätts inte. Ifall instruktionerna i manualen inte följs upphävs produktens garanti.

Försäkran från tillverkaren

Tunturi New Fitness BV försäkrar att produkten uppfyller följande standarder och direktiv: EN 957 (HB), 89/336/EEG. Produkten är därför CE-märkt.

01-2017

Tunturi New Fitness BV
Purmerweg 1
1311 XE Almere
Nederländerna

Friskrivning

© 2017 Tunturi New Fitness BV
Alla rättigheter förbehållna.

Produkten och handboken kan komma att ändras. Specifikationer kan ändras utan förvarning.

Sisältö

Makuupyörä	64
Turvallisuusvaroitukset	64
Kuvaus (kuva. A)	65
Pakkauksen sisältö (kuva. B & C)	65
Kokoonpano (kuva. D)	65
Harjoitukset	65
Ohjeita harjoittelua varten	65
Syke	66
Käyttö	67
Ohjauspaneeli (kuva F)	67
Painikkeiden selitykset	68
Näytön toimintojen selitys	68
Toiminta.	69
Puhdistus ja huolto	70
Paristojen vaihto (Kuva E)	70
Viat ja häiriöt	70
Kuljetus ja säilytys	70
Lisätietoa laitteen omistajalle	70
Tekniset tiedot	71
Takuu	71
Valmistajan vakuutus	71
Vastuuvapauslauseke	71

Suomeksi

Tämä suomennettu käyttöohje on käännetty Englannin kielestä. Pidätämme oikeudet mahdollisiin käännösvirheisiin. Käännös tehty virallisen, englanninkielisen version pohjalta.

Makuupyörä

Tervetuloa Tunturi Fitness -maailmaan!
Kiitämme sinua tämän Tunturi-laitteen ostosta.
Tunturi tarjoaa laajan valikoiman ammattimaisia kuntoilulaitteita, mukaan lukien crosstrainerit, juoksumatot, kuntopyörät ja soutilaitteet.
Tunturi-laite sopii koko perheelle kuntotasosta riippumatta. Katso lisätiedot verkkosivuiltamme www.tunturi.com

Turvallisuusvaroitukset



VAROITUS

*Lue turvallisuusvaroitukset ja -ohjeet.
Turvallisuusvaroitusten ja -ohjeiden jättäminen noudattamatta voi aiheuttaa henkilön loukkaantumisen tai laitevaurion. Säilytä turvallisuusvaroitukset ja -ohjeet myöhempää käyttöä varten.*



VAROITUS

*Sykkeenvälivaltajärjestelmät saattavat olla epätarkkoja.
Liiallinen harjoittelu saattaa aiheuttaa vakavia vammoja tai kuoleman. Jos tunnet olosi heikoksi, lopeta harjoittelu heti.*

- Laite on sopiva vain kotikäyttöön. Laite ei ole sopiva kaupalliseen käyttöön.
- Enimmäiskäyttö on rajoitettu 3 tuntiin päivässä
-
- Tämän laitteen käyttö lasten tai fyysisesti, aistillisesti, henkisesti, tai liikunnallisesti rajoittuneiden, tai kokemukseltaan ja tiedoiltaan puutteellisten henkilöiden toimesta voi aiheuttaa vaaratilanteita. Heidän turvallisuudestaan vastuussa olevien henkilöiden on annettava selkeät ja tarkat ohjeet laitteen käytöstä ja valvottava laitteen käyttöä.
- Ennen harjoituksen aloittamista ota yhteys lääkäriin terveystarkastusta varten.
- Jos sinulla on pahoinvointia, huimausta, tai muita epätavallisia oireita, lopeta välittömästi harjoitus ja ota yhteys lääkäriin.
- Vältä lihaskipuja ja venähdyksiä aloittamalla jokainen harjoitus lämmittelyjaksolla ja päätä jokainen harjoitus jäähdyttelyjaksolla. Muista venyttää harjoittelun lopuksi.
- Laite on sopiva vain sisäkäyttöön. Laite ei ole sopiva ulkokäyttöön.
- Käytä laitetta riittävällä tuuletuksella varustetuissa tiloissa. Älä käytä laitetta vetoisissa tiloissa välttääksesi kylmettymisen.
- Käytä laitetta vain ympäristölämpötilassa 10 °C - 35 °C. Säilytä laitetta vain ympäristölämpötilassa 5 °C - 45 °C.
- Älä käytä tai säilytä laitetta kosteissa tiloissa. Ilmankosteus ei saa koskaan olla yli 80 %.
- Käytä laitetta vain sen aiottuun tarkoitukseen. Älä käytä laitetta muihin, kuin tässä käyttöoppaassa esitettyihin tarkoituksiin.
- Älä käytä laitetta, jos sen jokin osa on vaurioitunut tai viallinen. Jos osa on vaurioitunut tai viallinen, ota yhteys jälleenmyyjään.
- Pidä kätesi, jalkasi ja kehon muut osat pois liikkuvista osista.
- Pidä hiuksesi pois liikkuvista osista.
- Käytä asianmukaista vaatetusta ja kenkiä.
- Pidä vaatteet, korut ja muut esineet pois liikkuvista osista.

- Varmista, että vain yksi henkilö kerrallaan käyttää laitetta. Yli 120 kg (265 lbs) ainava henkilö ei saa käyttää laitetta.
- Älä avaa laitetta ilman yhteydenottoa jälleenmyyjäsi.

Kuvaus (kuva. A)

Makuupyöräsi on paikallaan pysyvä kuntoilulaite, jota käytetään simuloimaan polkupyöräilyä ilman liiallista räsitusta niveliin..

Pakkauksen sisältö (kuva. B & C)

- Pakkaus sisältää kuvassa B näytetyt osat.
- Pakkaus sisältää kuvassa C näytetyt kiinnittimet. Katso "Kuvaus"-osiota.



ILMOITUS

- Jos osa puuttuu, ota yhteys jälleenmyyjään.

Kokoonpano (kuva. D)



VAROITUS

- Kokoonpane laite esitetyssä järjestyksessä.
- Vähintään kahden henkilön on kannettava ja siirrettävä laitetta.



HUOMAUTUS

- Sijoita laite kovalle, tasaiselle alustalle.
- Asettakaa laite suojalustalle lattiapinnan vaurioiden estämiseksi.
- Varaa vähintään 100 cm tilaa laitteen ympärille.

- Katso piirroksesta laitteen oikea asennus.



ILMOITUS

- Kun olet suorittanut asennuksen loppuun, pane tämän tuotteen mukana toimitetut työkalut talteen tulevia huoltotöitä varten.

Harjoitukset

Harjoituksen on oltava sopivan kevyt, mutta pitkäkestoinen. Aerobic-harjoitus perustuu kehon maksimi hapenottokyvyn parantamiseen, mikä puolestaan parantaa kestävyyttä ja kuntotaso. Harjoituksen aikana sinun tulisi hikoilla, mutta sinun ei tulisi hengästyä. Harjoittele vähintään kolme kertaa viikossa 30 minuuttia peruskuntotason saavuttamiseksi ja ylläpitämiseksi. Paranna kuntotasoasi lisäämällä harjoituskertojen määrää. On hyödyllistä yhdistää säännöllinen harjoitus terveelliseen dieettiin. Dieettiin sitoutuneen henkilön tulisi harjoitella päivittäin, ensi alkuun korkeintaan 30 minuuttia ja vähitellen lisäten päivittäinen harjoitusaika yhteen tuntiin. Aloita harjoituksesi hitaalla nopeudella ja pienellä vastuksella estääksesi liiallisen räsituksen sydän-verisuonijärjestelmään. Nopeutta ja vastusta voidaan vähitellen lisätä kuntotason parantuessa. Harjoituksesi tehokkuus voidaan mitata seuraamalla sydämesi lyöntinopeutta ja pulssisi nopeutta. Lisää nopeutta ja vastusta vähitellen oman kuntosi mukaan. Pidä pää pystyssä ja kaula suorana välttääksesi stressiä kaulassa, hartioissa ja selässä. Pidä selkäsi suorana. Varmista, että jalkasi ovat keskellä polkimia ja että lantio, polvet, nilkat ja varpaat ovat suoraan eteenpäin. Pidä painosi alaruumiin yläpuolella, huolimatta siitä, nojaatko eteepäin vai seisotko suorana. Lopeta harjoitusjaksosi vähentämällä nopeutta ja vastusta vähitellen. Muista venytellä harjoittelun lopuksi.

Ohjeita harjoittelua varten

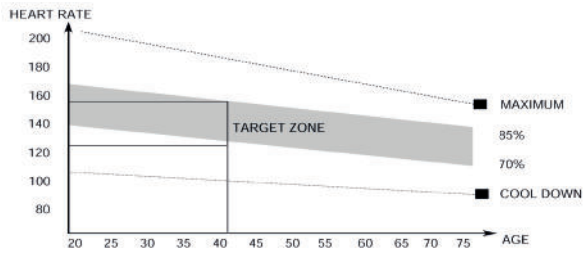
Kuntolaitteen käyttö tarjoaa monia etuja: se parantaa fyysistä kuntoa, kiinteyttää lihaksia ja hallittuun ruokavalion yhdistettynä se auttaa myös pudottamaan painoa.

Lämmittelyvaihe

Tämän vaiheen tarkoituksena on saada veri virtaamaan nopeammin ympäri kehoa ja panna lihakset tekemään työtä. Lämmittely vähentää myös kramppien ja lihasvammojen riskiä. Suosittelemme, että teet muutaman venyttelyharjoituksen alla olevan kuvan mukaisesti. Jokaisen venytyksen tulisi kestää noin 30 sekuntia. Älä tee venytyksiä väkisin tai nykäisten - jos tunnet kipua, LOPETA.

Harjoitteluvaihe

Tämä on se vaihe, jossa ponnistelet. Säännöllisen harjoittelun tuloksena jalkojesi lihakset tulevat joustavammiksi. Tässä vaiheessa on hyvin tärkeää ylläpitää tasaista nopeutta koko ajan. Räsituksen tulisi olla riittävän suuri, jotta sykkeesi nousee tavoitealueelle alla olevan kaavion mukaisesti



Tämän vaiheen tulisi kestää vähintään 12 minuuttia, mutta useimmilla aloittelijoilla se on noin 15-20 minuuttia.

Jäähdyttelyvaihe

Tämän vaiheen tarkoituksena on antaa verenkiertojärjestelmäsi ja lihaksiesi palautua. Jäähdyttelyssä toistetaan lämmittelyvaiheen harjoitukset vähentämällä ensin nopeutta ja jatkamalla tällä nopeudella noin 5 minuuttia. Toista sitten venyttelyharjoitukset pitäen mielessä, että venytyksiä ei saa tehdä väkisin tai nykäisten. Kun kuntosi nousee, voit tarvita pidempiä ja raskaampia harjoituksia. On suositeltavaa treenata vähintään kolme kertaa viikossa, ja harjoittelut olisi hyvä jakaa tasaisesti viikon varrelle.

Lihasten kiinteytys

Jos tavoitteesi on lihasten kiinteytys, sinun pitää asettaa vastus suureksi. Silloin jalkojesi lihakset rasittuvat enemmän, etkä ehkä pysty treenaamaan niin pitkään kuin haluaisit. Jos tavoitteesi on myös kunnan kohentaminen, sinun pitää muuttaa harjoitteluohjelmaasi. Harjoittele lämmittely- ja jäähdyttelyvaiheissa normaalisti, mutta lisää vastusta harjoitteluvaiheessa, jotta jalkasi joutuvat tekemään enemmän työtä. Vähennä tarvittaessa nopeutta, jotta sykkeesi pysyy tavoitealueella.

Painon pudotus

Ratkaisevaa on se, miten rasittavaa harjoittelu on. Mitä enemmän ja mitä pidempään harjoittelet, sitä enemmän poltat kaloreita. Vaikutus on sama kuin jos harjoittelisit kunnan kohentamiseksi, vaikka tavoite on nyt toinen.

Syke

Pulssinopeuden mittaus (käsipulssianturit)

Pulssinopeus mitataan käsitukien antureilla käyttäjän koskettaessa kumpaakin anturia samanaikaisesti. Pulssi saadaan mitattua mahdollisimman tarkasti, kun iho on hieman kostea ja se koskettaa koko ajan käsipulssiantureita. Jos iho on liian kuiva tai liian kostea, pulssinopeuden mittaus voi olla epätarkempi.



ILMOITUS

- Älä käytä käsipulssiantureita yhdessä sykkeen kanssa.
- Jos asetat rajan sydämen lyöntinopeudelle, rajan ylittyessä kuuluu äänihälytys.

Sykkeiden mittaus (sykevyö)

Tarkan sydämen lyöntinopeus saadaan sykevyöllä. Sykemittaus tapahtuu käyttöliittymän sykevastaanottimen ja sykkeen lähettimen avulla. Tarkka sydänmittaus edellyttää lähetinvyön elektrodien olevan hieman kosteita ja jatkuvassa kosketuksessa ihoon. Jos elektrodit ovat liian kuivia tai liian kosteita, sykkeen mittaus voi olla epätarkempi.



VAROITUS

- Jos sinulla on sydäntahdistin, ota yhteys lääkäriin ennen sykkeen käyttöä.



HUOMAUTUS

- Jos useita sykemittauslaitteita on vierekkäin, varmista, että niiden keskinäinen etäisyys on vähintään 2 metriä.
- Varmistu, että laitteen sykevastaanottimen ja sykkeen lähettimen kantomatkan sisällä ei ole muita lähettäjiä, jotka voisivat aiheuttaa häiriöitä mittauksessa.



ILMOITUS

- Älä käytä sykkeä yhdessä käsipulssiantureiden kanssa.
- Pidä aina sykkeä vaatteittesi alla suorassa kosketuksessa ihoosi. Älä pidä sykkeä vaatteittesi päällä. Jos pidät sykkeä vaatteittesi päällä, signaalia ei ole.
- Jos asetat rajan sydämen lyöntinopeudelle, rajan ylittyessä kuuluu äänihälytys.
- Lähetin lähettää sykkeen korkeintaan 1,5 metrin etäisyydellä olevaan ohjauspaneeliin. Jos elektrodit eivät ole kosteita, sydämen lyöntinopeus ei tule näytölle.
- Jotkin vaatteiden kuidut (esim. polyesteri, polyamidi) synnyttävät staattista sähköä, mikä voi estää tarkan sydämen lyöntinopeuden mittauksen.
- Matkapuhelimet, televisiot ja muut sähkölaitteet luovat sähkömagneettisen kentän, joka voi estää tarkan sydämen lyöntinopeuden mittauksen.

Suurin sallittu sydämen lyöntinopeus (harjoituksen aikana)

Suurin sallittu sydämen lyöntinopeus on suurin lyöntinopeus, jonka henkilö voi turvallisesti saavuttaa harjoituksen rasituksella. Seuraavaa kaavaa käytetään laskemaan keskimääräinen suurin sallittu sydämen lyöntinopeus: 220 - IKÄ. Suurin sallittu sydämen lyöntinopeus vaihtelee henkilöstä toiseen.



VAROITUS

- Varmista, ettet ylitä sydämesi suurinta sallittua lyöntinopeutta harjoituksen aikana. Jos kuulut riskiryhmään, ota yhteys lääkäriin.

Aloittelija 50-60% suurimmasta sallitusta sydämen lyöntinopeudesta

Sopiva aloittelijoille, painonvartijoille, toipilaille, ja henkilöille, jotka eivät ole harjoitelleet pitkään aikaan. Harjoittele vähintään kolme kertaa viikossa, 30 minuuttia kerrallaan.

Edistynyt 60-70% suurimmasta allitusta sydämen lyöntinopeudesta

Sopiva henkilöille, jotka haluavat parantaa ja ylläpitää kuntoaan. Harjoittele vähintään kolme kertaa viikossa, 30 minuuttia kerrallaan..

Ekspertti 70-80 % suurimmasta sallitusta sydämen lyöntinopeudesta

Sopiva kunnoltaan erittäin hyvälle henkilöille, jotka ovat tottuneet pitkäkestoiisiin harjoituksiin.

Käyttö

Tukijalkojen säätäminen

Laite on varustettu 4 tukijalalla. Tukijalkoja voidaan säätää, jos laite ei ole vakaa.

- Käännä tukijalkoja tarpeen mukaan, jotta laite on vakaasti lattialla.
- Lukitse tukijalat kiristämällä lukkomutterit.



ILMOITUS

Laite on vakain, kun kaikki tukijalat on kierretty täysin sisään. Tämän vuoksi, aloita laitteen säätäminen vaakasuoraan kiertämällä kaikki tukijalat ensin täysin sisään, ennen kuin kierrät tarvittavia jalkoja ulospäin laitteen saamiseksi vakaaksi.

Istuimen säätö vaakasuunnassa

Istuinta voidaan säätää vaakasuorassa asettamalla istuin haluttuun kohtaan.

- Löysää istuimen säätönuppia.
- Siirrä istuin haluttuun kohtaan.
- Kiristä istuimen säätönuppi.

Istuimen säätö pystysuunnassa

Istuinta voidaan säätää pystysuorassa asettamalla istuin haluttuun kohtaan. Jalka lähes suorana jalkaholvin on kosketettava jalkapoljinta sen alimmassa pisteessä.

- Löysää istuinputken säätönuppia.
- Siirrä istuinputki haluttuun kohtaan.
- Kiristä istuinputken säätönuppi.

Ohjaustangon säätö

Ohjaustanko voidaan säätää käyttäjän pituuden ja harjoitusasennon mukaisesti.

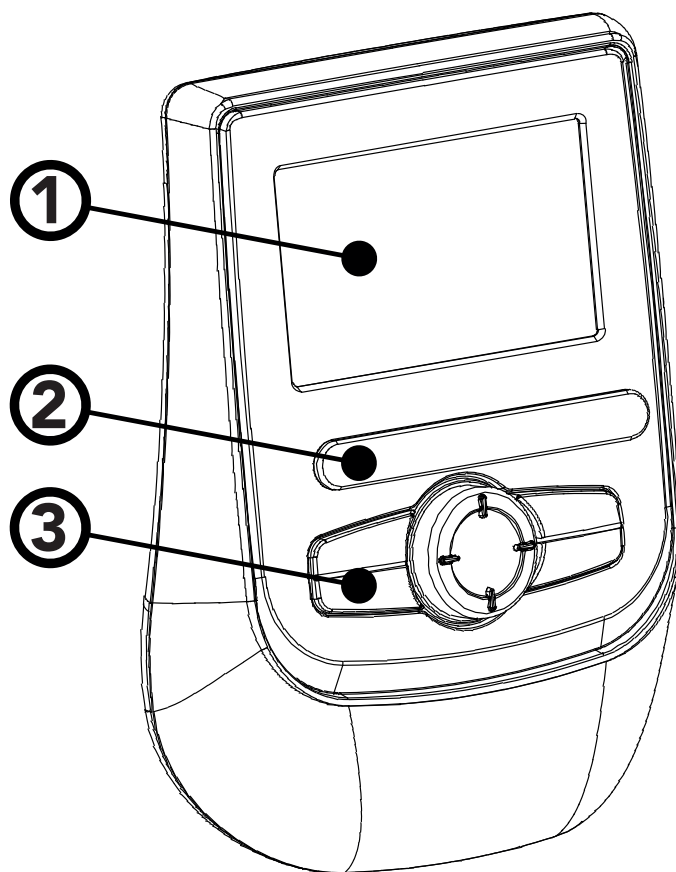
- Löysää ohjaustangon säätönuppia.
- Siirrä ohjaustanko haluttuun kohtaan.
- Kiristä ohjaustangon säätönuppi.

Vastuksen säätäminen

Kasvattaaksesi tai pienentääksesi vastusta, käännä putken säätönupista. Myötöpäivään kääntämällä (+) lisäät vastusta ja vastapäivään (-) kääntämällä pienennät vastusta.

Nupin yläpuolella oleva asteikko (1-8) auttaa sopivan vastuksen asettamisessa.

Ohjauspaneeli (kuva F)



1. Näyttö
2. taulu/ kirja teline
3. painikkeet



HUOMAUTUS

- – Pidä ohjauspaneeli pois suorasta auringonvalosta.

- Kuivaa ohjauspaneelin pinta, jos siihen on tippunut hikeä.
- Älä nojaa ohjauspaneeliin.
- Kosketa näyttöä vain sormenpäälläsi. Älä kosketa näyttöä kynsilläsi tai terävillä esineillä.



ILMOITUS

- Ohjauspaneeli siirtyy valmiustilaan, kun laitetta ei ole käytetty 4 minuuttiin.

Painikkeiden selitykset

UP (valintapyörä)

- Kääntämällä valintapyörää myötäpäivään suurennat arvoa.
- TIME-asetusten alue: 00:00~99:00 (jokainen askel on 1:00)
- CAL-asetusten alue: 0~9990 (jokainen askel on 10)
- DIST-asetusten alue: 0,00~99,50 (jokainen askel on 0,5)
- PULSE-asetusten alue: 0-30~230 (jokainen askel on 1)

DOWN (valintapyörä)

- Kääntämällä valintapyörää vastapäivään pienennät arvoa.
- TIME-asetusten alue: 00:00~99:00 (jokainen askel on 1:00)
- CAL-asetusten alue: 0~9990 (jokainen askel on 10)
- DIST-asetusten alue: 0,00~99,50 (jokainen askel on 0,5)
- PULSE-asetusten alue: 0-30~230 (jokainen askel on 1)

MODE/ENTER

- Valitse jokainen toiminto painamalla näppäintä MODE/ENTER.
- Painamalla MODE/ENTER-näppäintä 2 sekunnin ajan voit nollata kaikki toiminnot (sama toiminto kuin RESET-näppäimellä, kun painetaan 2 sekunnin ajan).

Reset

- Voit nollata senhetkiset toiminnon arvot painamalla asetustilassa RESET-näppäintä.
- Pitämällä RESET-näppäintä alaspainettuna 2 sekunnin ajan nollaat kaikki toimintojen arvot

Recovery

- Kun konsoli on havainnut sykkeen signaalin, siirry palautumistilaan painamalla RECOVERY-näppäintä, jotta voit valvoa sykkeen palautumiskykyä

Body fat

- Kehon rasvan mittaus ja painoindeksi

Total reset (Täydellinen RESET)

- Konsoli käynnistyy uudestaan ja siirtyy käyttäjäprofiiliasetusten tilaan.

Näytön toimintojen selitys

SCAN (skannaus)

- Paina SCAN-tilassa näppäintä MODE/ENTER toimintojen valitsemiseksi.
- Näyttö skannaa automaattisesti jokaisen tilan 6 sekunnin välein.
- Näyttöjärjestys, kun painetaan näppäintä MODE/ENTER: TIME » DIST » CAL » PULSE » RPM/SPEED

SPEED

- Esittää senhetkisen harjoittelunopeuden.
- Alue on 0,0 ~ 99,9
- Jos näyttö ei harjoittelun aikana vastaanota signaalia 4 sekuntiin, näytön SPEED on "0.0"

RPM

- Näyttää kierrokset minuutissa
- Alue on 0 ~ 999
- Jos näyttö ei harjoittelun aikana vastaanota signaalia 4 sekuntiin, näytön RPM on "0"

Time (harjoitusaika)

- Jos tavoitearvoa ei aseteta, harjoitusaika lasketaan eteenpäin.
- Jos on asetettu tavoitearvo, harjoitusaika lasketaan tavoitearvosta taaksepäin 0:an, joka ilmoitetaan äänimerkillä tai valolla. Mikäli harjoittelua jatketaan vielä tavoitteen saavuttamisen jälkeen, aika lasketaan eteenpäin.
- Jos näyttö ei harjoittelun aikana vastaanota signaaleja 4 sekuntiin, harjoitusajan laskeminen lopetetaan (STOP).
- Alue on 0:00~99:59

Distance (harjoitusmatka)

- Jos tavoitearvoa ei aseteta, harjoitusmatka lasketaan eteenpäin.
- Jos on asetettu tavoitearvo, harjoitusmatka lasketaan tavoitearvosta taaksepäin 0:an, joka ilmoitetaan äänimerkillä tai valolla. Mikäli harjoittelua jatketaan vielä tavoitteen saavuttamisen jälkeen, harjoitusmatkaa lasketaan eteenpäin.
- Alue on 0,00~99,99

Calories (energiankulutus)

- Jos tavoitearvoa ei aseteta, kalorit lasketaan eteenpäin.
- Jos on asetettu tavoitearvo, kalorit lasketaan tavoitearvosta taaksepäin 0:an, joka ilmoitetaan äänimerkillä tai valolla. Mikäli harjoittelua jatketaan vielä tavoitteen saavuttamisen jälkeen, kalorit lasketaan eteenpäin.
- Alue on 0~9999



HUOM

- Nämä tiedot ovat karkeita ohjeita erilaisten harjoittelujen vertailua varten, eikä niitä voida käyttää lääketieteellisen hoidon pohjana.

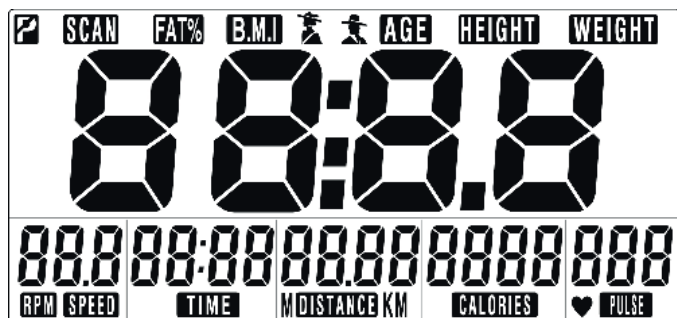
Pulse (syke)

- Senhetkinen syke esitetään 6 sekunnin kuluttua siitä, kun konsoli havaitsee signaalin.
- Jos konsoli ei vastaanota sykkeen signaalia 6 sekuntiin, näytössä näkyy "P".
- Konsoli antaa varoitusäänen, jos senhetkinen syke ylittää tavoitesykkeen.
- Alue on 0-30~230 BPM

Toiminta

Laitteen kytkeminen päälle

- Voit aktivoida virransäätötilassa olevan konsolin painamalla mitä tahansa näppäintä.
- Voit aktivoida virransäätötilassa olevan konsolin alkamalla polkea.



Nestekidenäyttö esittää kaikki segmentit (kuva F-01)

Pois päältä / virransäätötila

Jos näyttö ei vastaanota signaaleja 4 minuuttiin, se siirtyy automaattisesti virransäätötilaan (SLEEP).

Käyttäjaprofiilin asetus

- Aseta sukupuoli SEX, pituus HEIGHT, paino WEIGHT ja ikä AGE valintapyörän UP- tai DOWN-näppäimellä.
- Vahvasta painamalla MODE/ENTER.

Harjoitteluasetukset

- Paina näppäintä MODE/ENTER toimintojen TIME, DISTANCE, CALORIES ja PULSE valitsemiseksi. Tee asetukset valintapyörän UP- tai DOWN-näppäimellä ja vahvasta asetus painamalla näppäintä MODE/ENTER.
- Voit esimerkiksi säätää aika-asetuksen valintapyörän UP- tai DOWN-näppäimellä arvon vilkkuessa. Vahvasta painamalla näppäintä MODE/ENTER ja siirry seuraavaan asetukseen. Harjoittelumatka (DISTANCE), energiankulutus (CALORIES) ja syke (PULSE) asetetaan samalla tavalla kuin harjoittelu-aika (TIME).

- Kun harjoittelu alkaa ja konsoli vastaanottaa harjoittelusignaalin, näytössä esitetään arvot SPEED/RPM, DIST ja CAL eteenpäin laskien. Jos tavoitteeksi asetetaan tietty arvo, tämä arvo esitetään taaksepäin laskien, kunnes tavoite on saavutettu.

Recovery (palautuminen)

- RECOVERY-näppäin toimii vain, jos konsoli havaitsee sykkeen signaalin.
- Näytössä näkyvä aika-arvo TIME on 0:60 (sekuntia) ja aika lasketaan taaksepäin 0:an.
- Taaksepäin laskemisen jälkeen näytössä esitetään arvot F1 - F6 sykkeen palautumistilan tarkistamiseksi. Käyttäjä voi tarkistaa sykkeen palautumisasteen alla olevan kaavion avulla.
- Voit palata alkuun painamalla uudestaan näppäintä RECOVERY.

F1	Erinomainen
F2	Erittäin hyvä
F3	Hyvä
F4	Kohtalainen
F5	Keskimääräistä heikompi
F6	Heikko

Body Fat (Kehon rasvan mittaus)

- Aloita kehon rasvan mittaus painamalla näppäintä BODY FAT.
- Mittauksen aikana käyttäjän on pidettävä kummallakin kädellä kiinni käsikahvoista. Nestekidenäytössä näkyy "-" "- -" "- - -" "- - - -" 8 sekunnin ajan, kunnes mittari lopettaa mittauksen.
- Nestekidenäytössä esitetään BMI ja rasvaprosentti.



HUOM

- Tämä toiminto edellyttää, että käyttäjän profiiliasetukset ovat oikein.

Virhekoodit kehon rasvan mittauksessa

- *E-1 Konsoli ei havaitse sykkeen signaalia.
- *E-4 Rasvaprosentti- ja BMI-tulos on pienempi kuin 5 tai suurempi kuin 50.

Vianmääritys:

- Nestekidenäytön himmeys on osoitus siitä, että paristot pitää vaihtaa. Jos konsoli ei vastaanota signaalia polkemisen aikana, tarkista että johto on liitetty kunnolla.

**HUOM**

- Kun keskeytät harjoittelun 4 minuutiksi, päänäyttö kytkeytyy pois päältä.
- Jos tietojen esitys näytössä on epätavallista, asenna paristot uudestaan ja katso onko ongelma poistunut.

Puhdistus ja huolto

Laite ei vaadi erityishuoltoa. Laite ei vaadi uudelleenkalibrointia kokoonpanon, käytön ja ohjeiden mukaan suoritetun huollon jälkeen.

**VAROITUS**

- Irrota adapteri ennen puhdistusta ja huoltoa.
 - Älä käytä liuottimia laitteen puhdistukseen.
- Puhdista laite pehmeällä, imukykyisellä kankaalla jokaisen käytön jälkeen.
 - Tarkista säännöllisesti kaikkien ruuvien ja mutterien olevan tiukasti kiinni.
 - Voitele nivelet tarvittaessa.

Paristojen vaihto (Kuva E)

Ohjauspaneeli on varustettu 2:llä AA-paristolla ohjauspaneelin takaosassa.

- Poista kansi.
- Poista vanhat paristot.
- Laita uudet paristot paikalleen. Varmista paristojen olevan asennettu (+) ja (-) napaisuusmerkintöjen mukaisesti.
- Asenna kansi paikalleen.

Viat ja häiriöt

Huolimatta jatkuvasti laadunvarmistuksesta laitteessa voi tapahtua yksittäisen osan aiheuttamia vikoja ja häiriöitä. Useimmissa tapauksissa viallisen osan vaihtaminen on riittävää

- Jos laite ei toimi normaalisti, ota välittömästi yhteys jälleenmyyjään.
- Anna jälleenmyyjälle laitteen malli- ja sarjanumero. Kerro ongelman luonne, käyttöolosuhteet ja ostopäivä.

Kuljetus ja säilytys

**VAROITUS**

- Irrota adapteri ennen kuljetusta ja varastointia.
 - Vähintään kahden henkilön on kannettava ja siirrettävä laitetta.
- Seisokaa laitteen edessä sen kummallakin puolella ja tarttukaa tiukasti kiinni käsitangoista. Nostakaa laitetta siten, että laitteen takapää on pyöriällä. Siirtäkää laite ja laskekaa se varovasti alas. Asettakaa laite suojalustalle lattiapinnan vaurioiden estämiseksi.
 - Siirrä laitetta varovasti epätasaisilla pinnoilla. Älä siirrä laitetta yläkertaan pyöriä käyttäen. Suorita siirto kahvatuista kantaen.
 - Säilytä laitetta kuivassa, mahdollisimman tasalämpötilaisessa paikassa.

Lisätietoa laitteen omistajalle

Pakkauksen hävittäminen

Lainsäädäntö ohjeistaa meitä vähentämään kaatopaikoille toimitetun jätteen määrää. Sen vuoksi pyydämme sinua toimittamaan kaikki pakkausjätteet sitä varten tarkoitettuun kierrätyspisteeseen.

Laitteen hävittäminen käyttöiän päättyessä

Me Tunturilla toivomme, että iloitset kuntolaitteestasi vuosia. Jokainen kuntolaite tulee kuitenkin aikanaan oman käyttöikänsä loppuun. Kotitalouksien sähkö- ja elektroniikkalaiteromua käsittelevien eurooppalaisten määräysten (WEEE) mukaan sinun kuuluu toimittaa kuntolaitteesi sitä varten tarkoitettuun keräyspaikkaan.

Tekniset tiedot

Parametri	Mittayksikkö	Arvo
Pituus	cm inch	168 66
Leveys	cm inch	64 25
Korkeus	cm inch	122 48
Paino	kg lbs	51.4 113.1
Suurin sallittu käyttäjän paino	kg lbs	120 265
Paristokoko		AA

Takuu

Tunturi-kuntolaitteen omistajan takuu

Takuuehdot

Kuluttajalla on sovellettavan kulutustavaroiden kauppaa koskevan kansallisen lainsäädännön mukaiset lailliset oikeudet, eikä takuulla rajoiteta näitä oikeuksia. Omistajan Takuu on voimassa vain, mikäli laitetta käytetään Tunturi New Fitness BV:n kyseiselle laitteelle sallimassa käyttöympäristössä. Kunkin laitteen sallittu käyttöympäristö mainitaan laitteen käyttöohjeessa.

Takuuehdot

Takuuehdot tulevat voimaan tuotteen ostopäivästä lukien. Takuuehdot voivat olla erilaiset eri maissa, joten pyydä takuuehdot paikalliselta jälleenmyyjältä.

Takuun kattavuus

Missään olosuhteissa Tunturi New Fitness BV tai Tunturi-jälleenmyyjä ei vastaa ostajalle mahdollisesti aiheutuvista välillisistä vahingoista, kuten käyttöhyödyn tai tulojen menetyksestä taikka muista taloudellisista seurausvahingoista.

Takuun rajoitukset

Takuu kattaa työstä ja materiaalista johtuvat virheet kuntolaitteessa, joka on alkuperäisessä kokoonpanossaan.

Takuu koskee vain virheitä, jotka ilmenevät normaalissa ja laitteen mukana tulleen ohjekirjan mukaisessa käytössä edellyttäen, että Tunturin asennus-, huolto- ja käyttöohjeita on noudatettu. Tunturi New Fitness BV:n ja Tunturin jälleenmyyjät eivät vastaa virheistä, jotka aiheutuvat heidän vaikutusmahdollisuuksiensa ulkopuolella olevista seikoista. Takuu on voimassa vain niissä maissa, joissa Tunturi New Fitness BV:llä on valtuutettu maahantuoja. Takuu ei koske sellaisia kuntolaitteita tai osia, joita on muutettu ilman Tunturi New Fitness BV:n suostumusta. Takuu ei koske virheitä, jotka johtuvat luonnollisesta kulumisesta, virheellisestä käytöstä, käytöstä olosuhteissa, joihin kuntolaitetta ei ole tarkoitettu, korroosiosta tai lastaus- tai kuljetusvahingoista.

Takuu ei koske käyttöäniä, jotka eivät olennaisesti haittaa laitteen käyttöä eivätkä johdu laitteessa olevasta virheestä.

Takuu ei myöskään sisällä kunnossapitotoimenpiteitä, kuten puhdistusta, voitelua tai sen osien normaalia tarkistamista, eikä sellaisia asennustoimenpiteitä, jotka asiakas voi suorittaa itse ja jotka eivät edellytä erityistä kuntolaitteen purkamista / kokeamista. Tällaisia toimenpiteitä ovat esim. mittareiden, polkimien tai muiden vastaavien yksinkertaisten osien vaihdot. Muun kuin valtuutetun Tunturi-edustajan suorittamia takuukorjauksia ei korvata. Laitteen käyttöohjeen noudattamatta jättäminen aiheuttaa takuun raukeamisen.

Valmistajan vakuutus

Tunturi New Fitness BV vakuuttaa tuotteen täyttävän seuraavien standardien ja direktiivien vaatimukset: EN 957 (HB), 89/336/ETY. Tässä tuotteessa on sen vuoksi CE-merkki..

01-2017

Tunturi New Fitness BV
Purmerweg 1
1311 XE Almere
Alankomaat

Vastuuvapauslauseke

© 2017 Tunturi New Fitness BV
Kaikki oikeudet pidätetään.

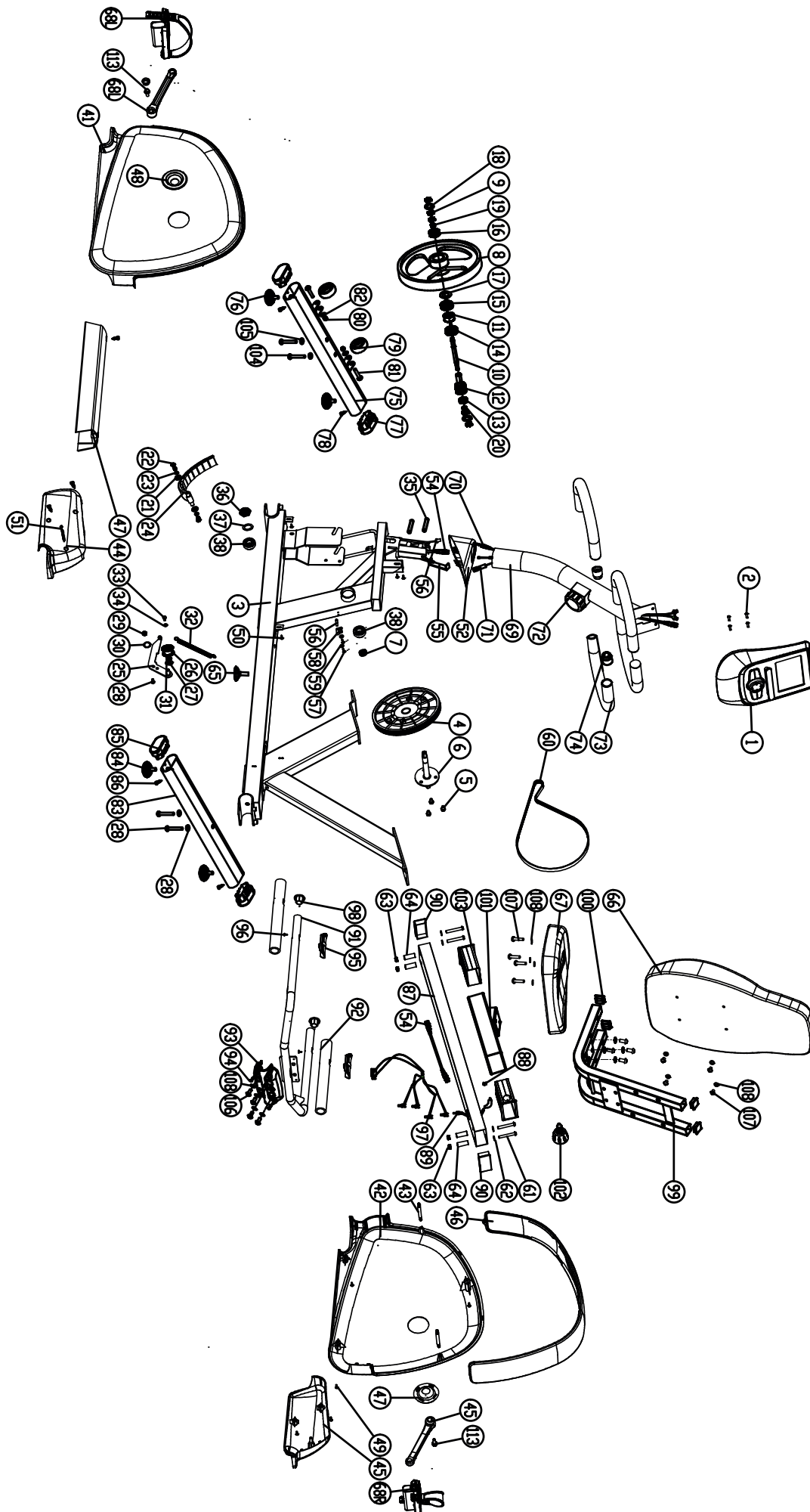
Tuote ja käyttöopas saattavat muuttua. Teknisiä tietoja saatetaan muuttaa ilman eri ilmoitusta.

No.	Description	Qty
1	Console	1
2	Screw	3
3	Main frmae	1
4	Pulley	1
5	Screw M8xP1.25x12Lx5t	3
6	Axle	1
7	Bushing	1
8	Flywheel	1
9	Nut	5
10	Flywheel axle	1
11	Bearing	1
12	Pulley	1
13	Bearing 6900RS	1
14	Bearing 6003RS	1
15	Bearing 6023	1
16	Bearing 6300RS	1
17	Flat washer Ø30xØ34x1t	1
18	Star washer Ø10xØ17x1t	2
19	Bushing	1
20	Bushing	1
21	Flat washer Ø6xØ13x1t	2
22	Screw M6xP1.0*16L	2
23	Spring washer Ø6	2
24	Magnetic set	1
25	Idler	1
26	Idler wheel	1
27	Wave washer Ø10.5xØ15x0.3t	2
28	Screw M8xP1.25x18L	1
29	Nut M8	1
30	Flat washer Ø8.5xØ25x1t	1

31	Flat washer Ø8xØ16x1t	1
32	Idler spring	1
33	Screw M6xP1.0x12L	1
34	Flat washer Ø6xØ12x1t	1
35	Screw M10x50L	2
36	Nut M17	2
37	Flat washer Ø17.5xØ25x1t	2
38	Bearing 6203	2
39	Right crank	1
40	Left crank	1
41	Left chain cover	1
42	Right chain cover	1
43	Shaft of chain cover	2
44	Rear cover (L)	1
45	Rear cover (R)	1
46	Top cover	1
47	Cover of bottom tube	1
48	Cap of crank	2
49	Screw M5x16	9
50	Screw M4x10L	3
51	Screw M4x50L	1
52	Handlebar post cover	1
53	Fixed tube of semi-bracket	2
54	Connection wire	1
55	Tension control (lower)	1
56	Sensor wire	1
57	Screw M4xP1.5*16L	2
58	Sensor fixed bracket	1
59	Flat washer Ø5xØ10x1t	2
60	Belt	1

61	Screw M8xP1.25x55L	4
62	Flat washer Ø8xØ16x2t	4
63	Nut M8	4
64	Bushing	4
65	Adjustable cushion	1
66	Backrest	1
67	Seat	1
68	Pedal, pair	1
69	Handlebar post	1
70	Connection wire	1
71	Sensor wire	1
72	Tension control (upper)	1
73	Foam	2
74	End cap	2
75	Front stabilizer	1
76	Adjustable cushion	2
77	End cap	2
78	Screw	2
79	Roller	2
80	Nut M8	2
81	Screw M8xP1.25x40L	2
82	Flat washer Ø10xØ18x1t	2
83	Rear stabilizer	1
84	Adjustable cushion	2
85	End cap	2
86	Screw	2
87	Seat rail	1
88	End cap of wire	1
89	Connection wire	1
90	End cap	2
91	Seat handlebar	1

92	Handlebar foam	2
93	Cover of handlebar seat	1
94	Screw M5x8L	4
95	Hand pulse	2
96	Screw M4x20L	2
97	Hand pulse sensor	1
98	End cap	2
99	Fixed tube of backrest	1
100	Inner end cap	4
101	Seat bracket	1
102	Locking Knob	1
103	Seat bracket sleeve	2
104	Screw M8xP1.25x60L	4
105	Flat washer Ø8xØ19x2t	4
106	Screw M8*P1.25*16L	8
107	Screw M8xP1.25x45L	8
108	Flat washer Ø8xØ16x2t	16
113	Nylon screw M8xP1.0x20L	2





Tunturi New Fitness BV

Purmerweg 1 NL - 1311 XE Almere
P.O. Box 60001 NL - 1320 AA Almere
The Netherlands

www.tunturi-fitness.com

20170124